

Issued:	Date:
A Permit Set	12/05/17
B Client Review Set	05/03/18
C	
D	
Revisions:	Date:
1	
2	
3	
4	
5	
6	
7	
8	
9	

DO NOT SCALE PLANS
 Copying, Printing, Software and other processes required to produce these prints can stretch or shrink the actual paper or layout. Therefore, scaling of this drawing may be inaccurate. Contact ins consultants with any need for additional dimensions or clarifications.

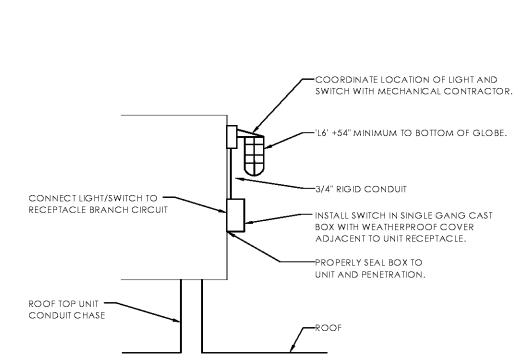
DRAWN BY: MEM
 REVIEWED BY: KFF

Seal

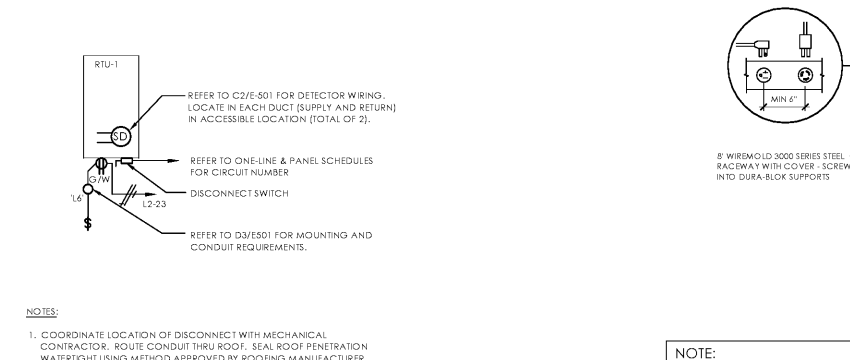


ALDI Inc. Store #: 65
 Charlotte, NC
 6113 Idlewild Road
 Charlotte, NC 28212
 Mecklenburg County
 Project Name & Location:

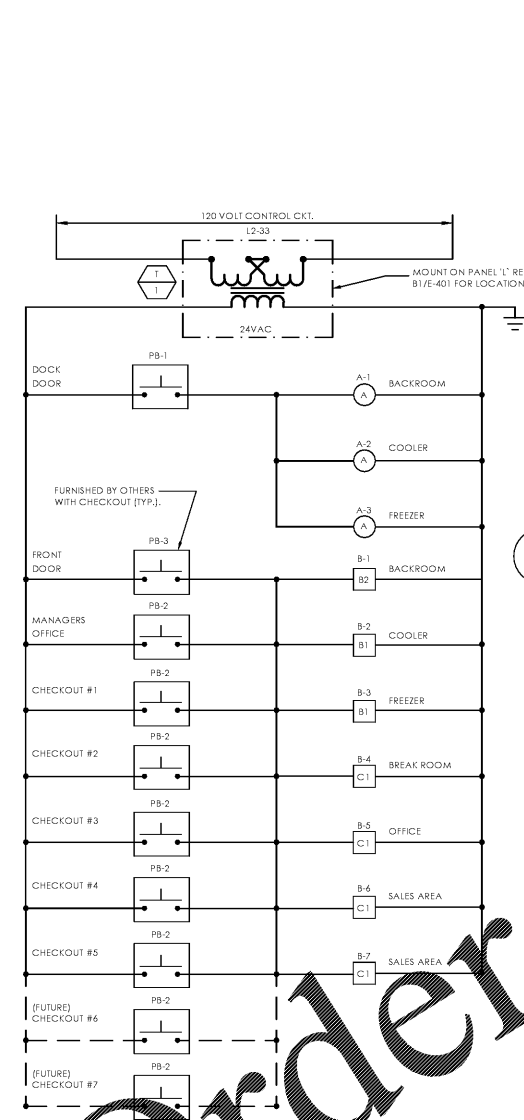
Electrical Details
 Drawing Name:
 Prototype Rls. 09/07/17
 Project No. 40452-13
 Type: LHSD-V8
 Scale: As Noted
 Drawing No. E-501



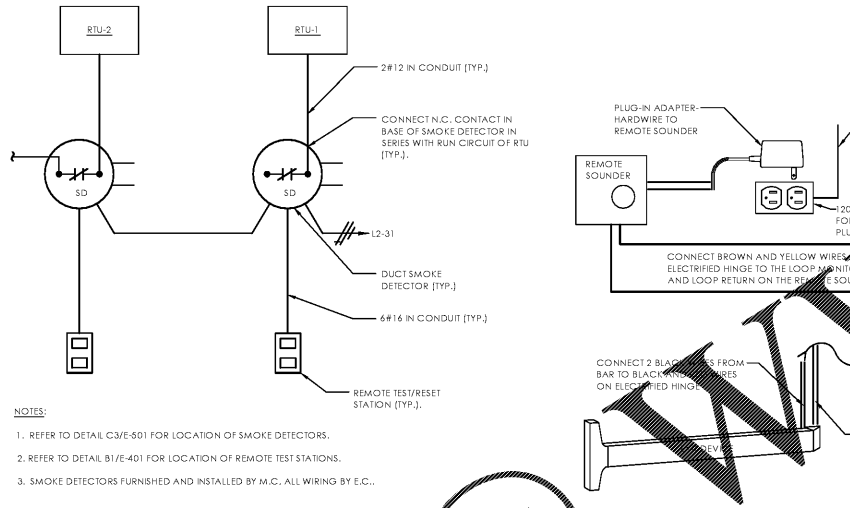
D3 RTU Service Light Mounting Detail
 SCALE: N.T.S.



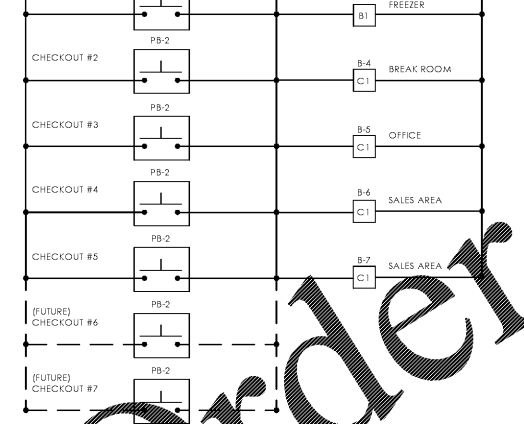
C3 RTU-1 & RTU-2 Detail
 SCALE: N.T.S.



D1 Bell and Buzzer Wiring Diagram
 SCALE: N.T.S.



C2 Duct Smoke Detector Wiring Detail
 SCALE:

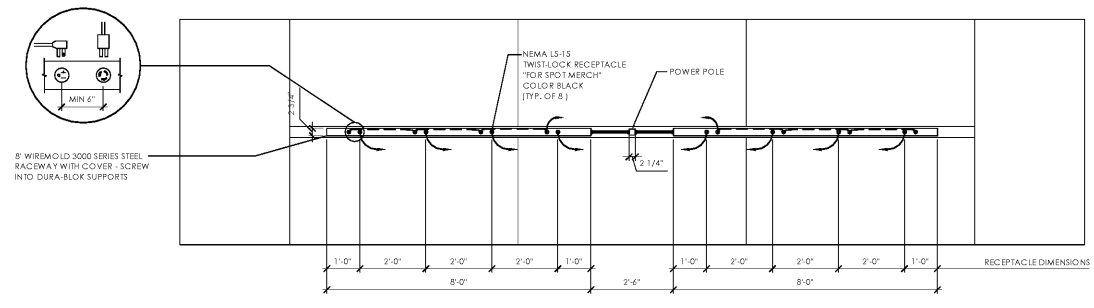


C1 Checkout Wiring Detail
 SCALE: N.T.S.

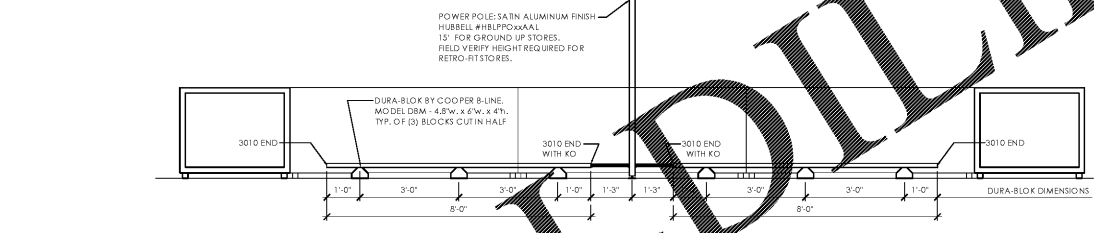


B1 Checkout Wiring Diagram
 SCALE: N.T.S.

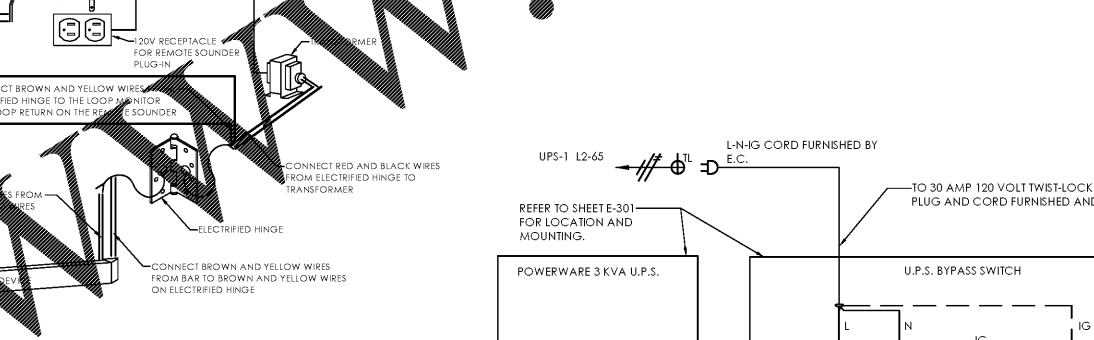
A1 UPS Wiring Diagram
 SCALE: N.T.S.



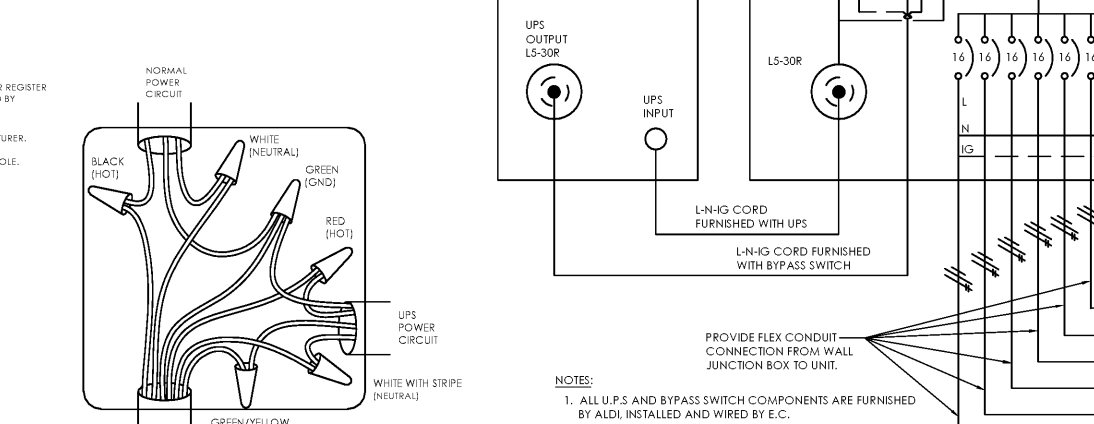
A2 Spot Merchandiser Raceway Detail
 SCALE: N.T.S.



A2 Spot Merchandiser Raceway Detail
 SCALE: N.T.S.



B1 Exit Device/Remote Sounder Detail
 SCALE:



A1 UPS Wiring Diagram
 SCALE: N.T.S.

PLOTTED: 5/10/2018 11:56 AM

Order Forms