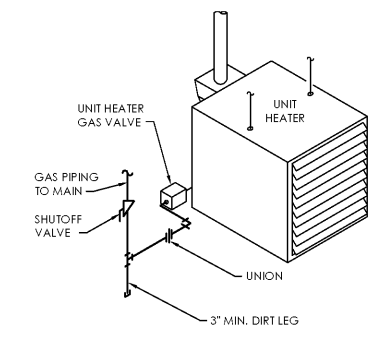
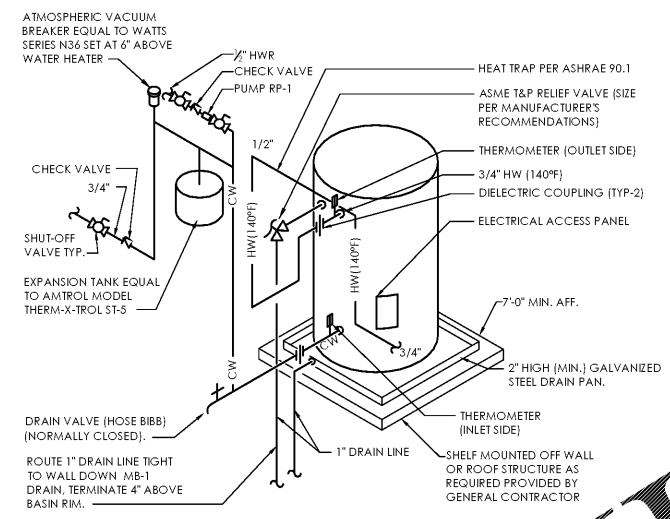


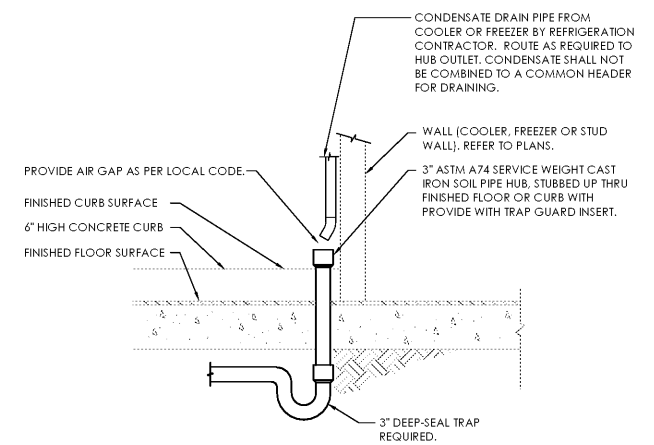
Issued:	Date:
A Permit Set	12/05/17
B Client Review Set	05/03/18
C Bid Set	05/11/18
D	
Revisions:	Date:
1	
2	
3	
4	
5	
6	
7	
8	
9	



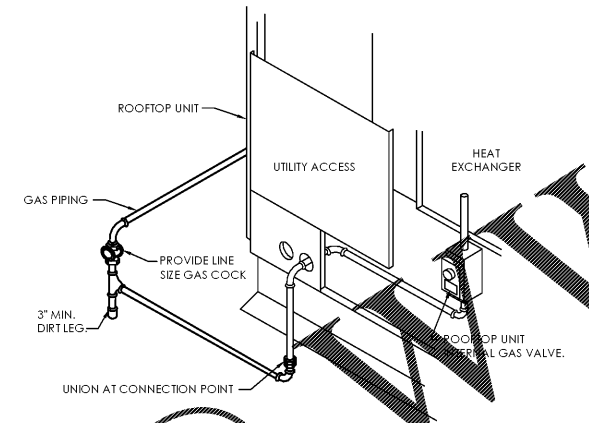
B3 Unit Heater Gas Piping Detail
SCALE: NONE



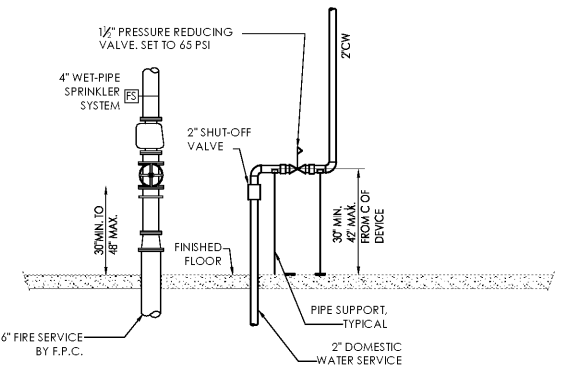
A3 Water Heater Piping Diagram
SCALE: N.T.S.



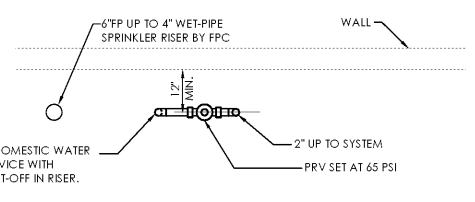
C2 Back Room Condensate Drain Connection Detail
SCALE: NONE



B2 Rooftop Unit Gas Piping Detail
SCALE: NONE



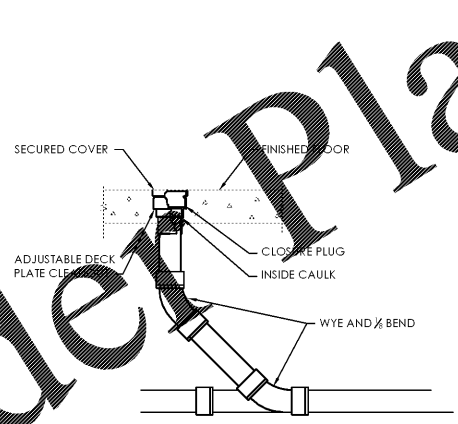
Elevation View



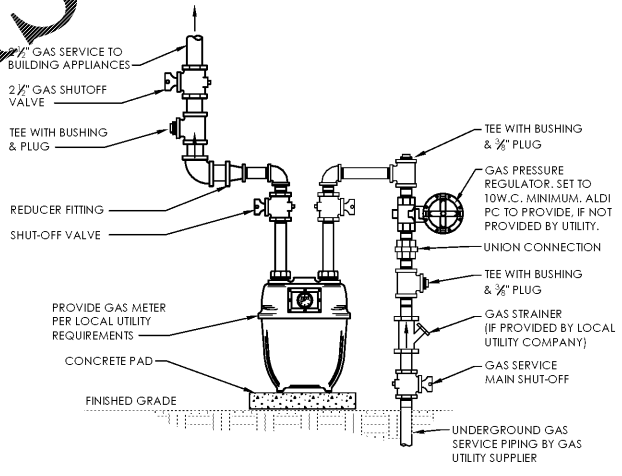
Plan View

Detail Notes
1. LOCATION OF RPZ AND WATER METER SHALL BE IN EXTERIOR VAULT PER CITY OF CHARLOTTE STANDARDS. REFER TO SITE UTILITY PLANS FOR ADDITIONAL INFORMATION.

A1 Water Service Detail
SCALE: N.T.S.



C1 Deck Plate Cleanout Detail
SCALE: NONE



B1 Gas Service Detail
SCALE: N.T.S.

DO NOT SCALE PLANS
Copying, Printing, and other processes required to produce these plans can stretch or shrink the actual paper or layout. Verifying of this drawing may be inaccurate. Contact the consultant with any need for additional dimensions or clarifications.

DRAWN BY: MEM
REVIEWED BY: KFF

Seal



ALDI Inc. Store #: 65
Charlotte, NC
6113 Idlewild Road
Charlotte, NC 28212
Mecklenburg County
Project Name & Location:

Plumbing Details
Drawing Name:
Prototype Rls. 09/07/17 Project No. 40452-13
Type: LHSD-V8
P-401
Scale: As Noted Drawing No.

Order Plans