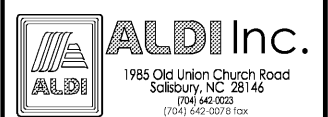


Issued:	Date:
A Permit Set	12/05/17
B Client Review Set	05/03/18
C	
D	
Revisions:	Date:
1	
2	
3	
4	
5	
6	
7	
8	
9	

DO NOT SCALE PLANS
 Copying, Printing, Software and other processes required to produce these prints can stretch or shrink the actual paper or layout. Therefore, scaling of this drawing may be inaccurate. Contact us consultants with any need for additional dimensions or clarifications.

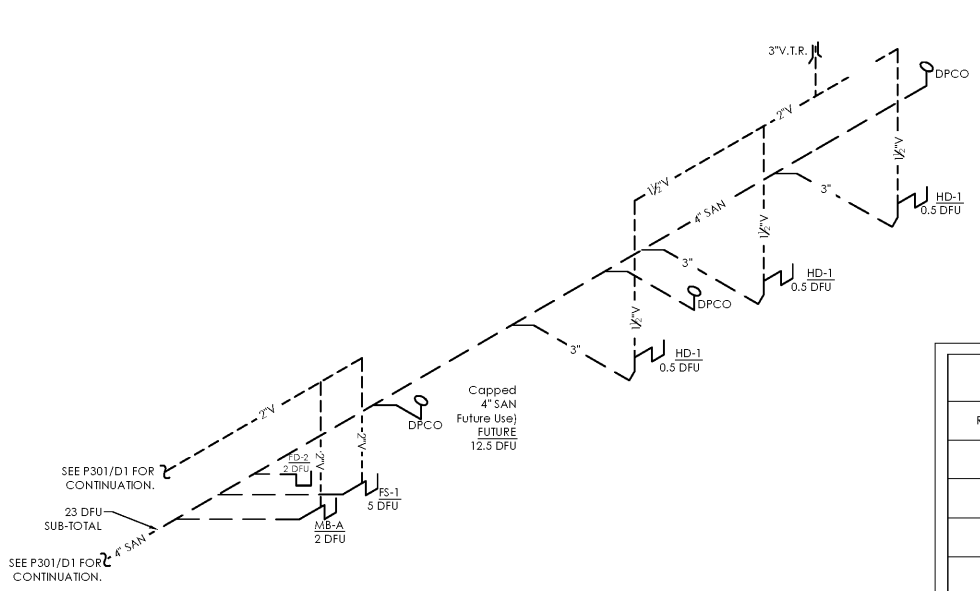
DRAWN BY: MEM
 REVIEWED BY: KFF

Seal



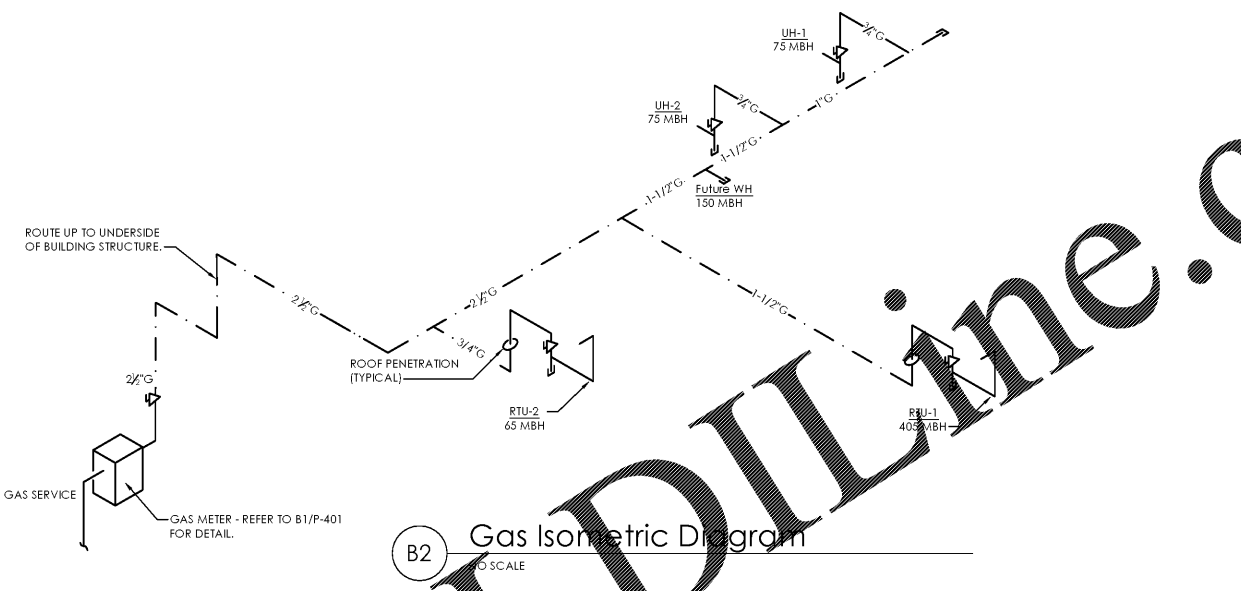
ALDI Inc. Store #: 65
 Charlotte, NC
 6113 Idlewild Road
 Charlotte, NC 28212
 Mecklenburg County
 Project Name & Location:

Isometric Diagrams
 Drawing Name:
 Prototype Rls. 09/07/17 Project No. 40452-13
 Type: LHSD-V8
 P-301
 Scale: As Noted Drawing No.

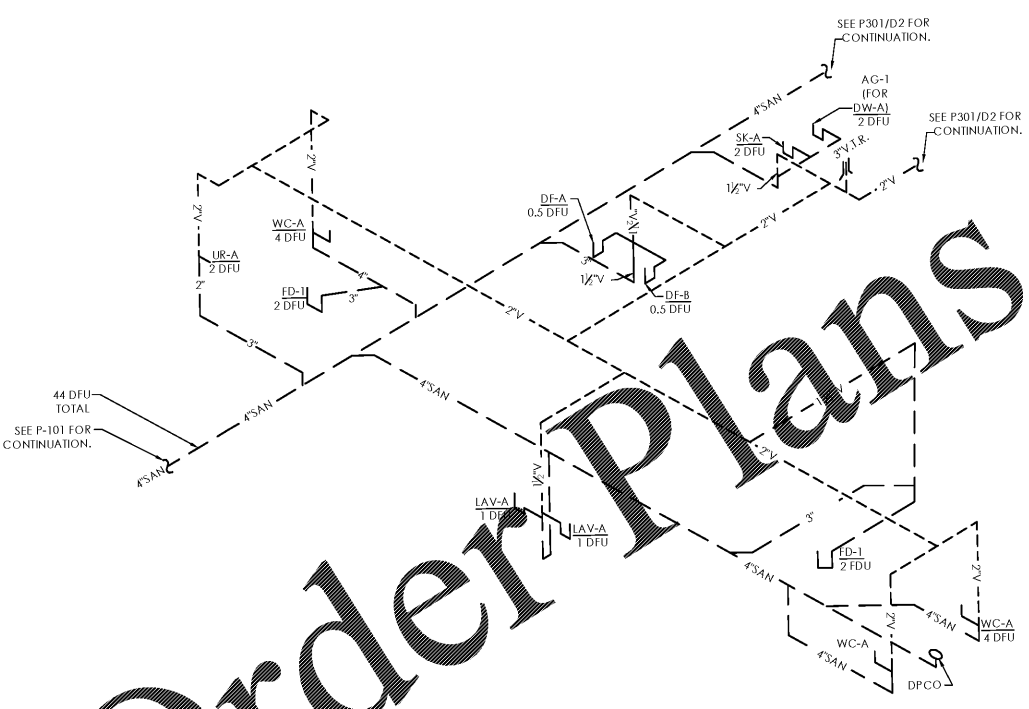


D2 Sanitary Isometric Diagram (Back Room)
 NO SCALE

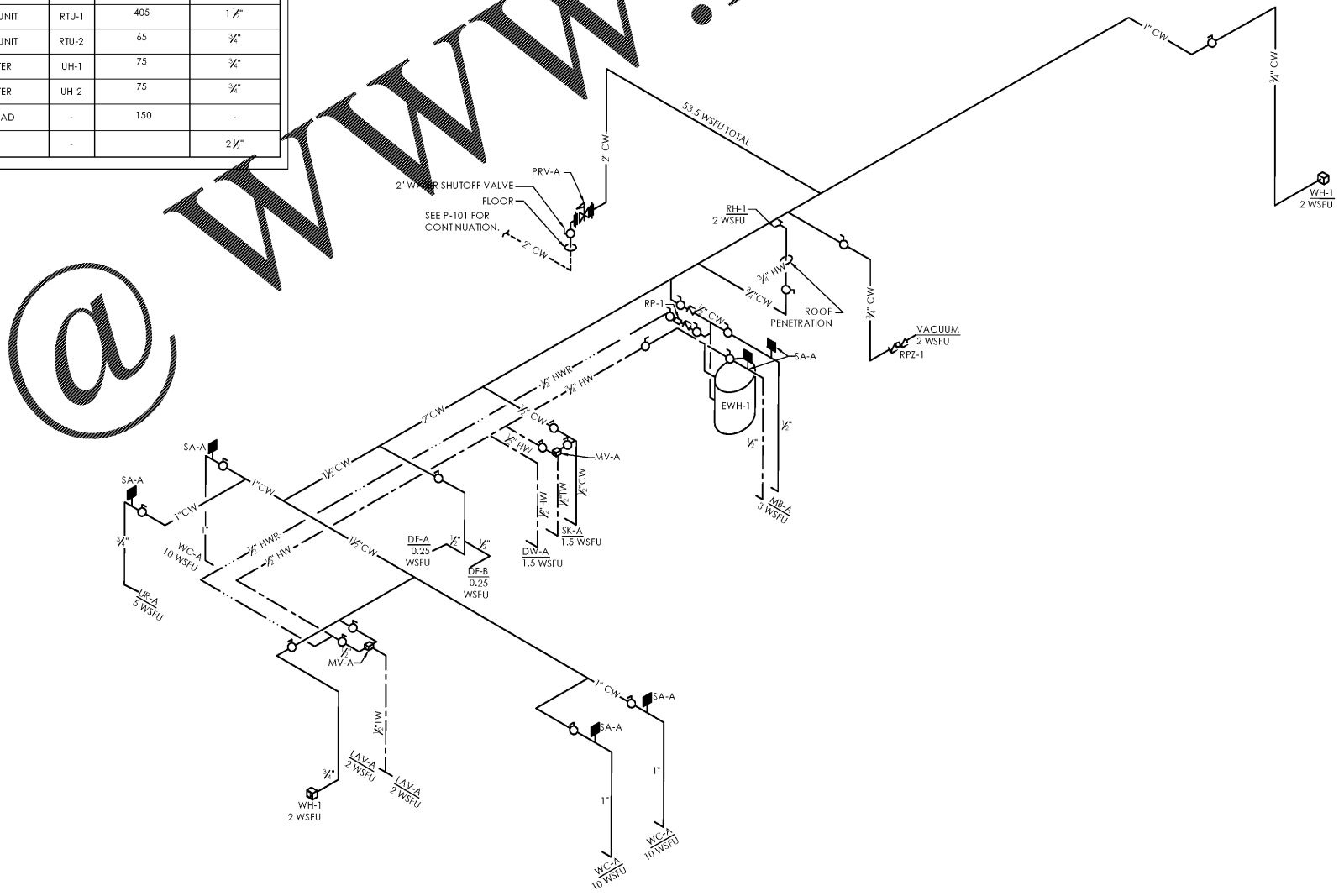
GAS PIPE SIZING CALCULATIONS			
REFERENCE TABLE	IFGC 402.4(2)		
INLET PRESSURE	LESS THAN 2 PSI		
PRESSURE DROP	0.5 IN. W.C.		
SPEC. GRAVITY	0.60		
LONGEST RUN	~170'		
TOTAL LOAD	770		
EQUIPMENT	TAG	LOAD (MBH)	PIPE SIZE
ROOFTOP UNIT	RTU-1	405	1 1/2"
ROOFTOP UNIT	RTU-2	65	3/4"
UNIT HEATER	UH-1	75	3/4"
UNIT HEATER	UH-2	75	3/4"
FUTURE LOAD	-	150	-
MAIN	-	-	2 1/2"



B2 Gas Isometric Diagram
 NO SCALE



D1 Sanitary Isometric Diagram (Office Area)
 NO SCALE



B1 Domestic Water Isometric Diagram
 NO SCALE

PLOTTED: 5/10/2018 12:13 PM

Order Plans @ WWW.LDLINE.COM