

DOOR NO.	DOOR SCHEDULE										DOOR NO.	ROOM NAME						
	DOOR			FRAME			DETAIL											
	WIDTH	HEIGHT	THICK.	ELEV.	MAT.	FIN.	FIRE LABEL	ELEV.	MAT.	FIN.			FIRE LABEL	HDW. GROUP	HEAD	JAMB	SILL	REMARK
101A	+/- 16'-0" V.I.F.	8'-2"	--	DD	ALUM.	--	--	ALUM.	--	--	--	100	--	--	C1/A501	DOOR ELEVATIONS ON THIS SHEET. SEE SHEET A504 FOR JAMB DETAILS - FIXED SIDELIGHT PANEL SHALL MAKE UP DIFFERENCE IN MASONRY OPENING; DOORS WILL HAVE 1/2" THRESHOLD TO COMPENSATE FOR THICKNESS OF ENTRY MAT.	101A	VESTIBULE
101B	+/- 8'-2" V.I.F.	8'-2"	--	EE	ALUM.	--	--	ALUM.	--	--	--	100	--	--	C1/A501		101B	VESTIBULE
101C	+/- 8'-2" V.I.F.	8'-2"	--	EE	ALUM.	--	--	ALUM.	--	--	--	100	--	--	C1/A501		101C	VESTIBULE
102A	7'-0"	8'-0"	1 1/2"	CC	POLY	--	--	E	H.M.	1	--	SEE REMARK	6/A601	7/A601	A2/A513	HARDWARE BY DOOR SUPPLIER FRAME BY G.C.	102A	SALES
102B	4'-0"	7'-0"	1 3/4"	BB	H.M.	1/2	--	D	H.M.	1/2	--	500	1/A601	2/A601	3/A601	INSUL. EXT. DOOR - PREPARE DOOR FRAME FOR ALARMED EXIT DEVICE BEFORE GROUTING SOLID. DOOR FRAME TO CONTAIN CONDUIT AND ELECTRIFIED HINGE.	102B	SALES
103	3'-0"	7'-0"	1 3/4"	AA	H.M.	1	--	A	H.M.	1	--	200	4/A601	5/A601	--	SEE REMARKS FOR 102B; OMIT REMOTE SOUNDER & CONNECT TO RS FOR DOOR 102B.	103	WOMENS
104	3'-0"	7'-0"	1 3/4"	AA	H.M.	1/2	--	B	H.M.	1/2	--	500	1/A601	2/A601	3/A601		104	HALL
105	3'-0"	7'-0"	1 3/4"	AA	H.M.	1	--	A	H.M.	1	--	200	4/A601	5/A601	--		105	MENS
106A	3'-0"	7'-0"	1 3/4"	AA	H.M.	1	--	A	H.M.	1	--	401	4/A601	5/A601	--		106A	BREAK ROOM
106B	3'-0"	7'-0"	1 3/4"	AA	H.M.	1	--	A	H.M.	1	--	401	4/A601	5/A601	--		106B	BREAK ROOM
107	3'-0"	7'-0"	1 3/4"	AA	H.M.	1	--	A	H.M.	1	--	400	4/A601	5/A601	--		107	OFFICE
109A	3'-0"	7'-0"	1 3/4"	AA	H.M.	1/2	--	B	H.M.	1/2	--	600	1/A601	2/A601	3/A601	SEE REMARKS FOR 102B	109A	BACK ROOM
109B	8'-2"	8'-1"	--	FF	STL	3/2	--	--	--	3/2	--	SEE REMARK	8/A601	9/A601	10/A601	HARDWARE BY DOOR SUPPLIER	109B	BACK ROOM

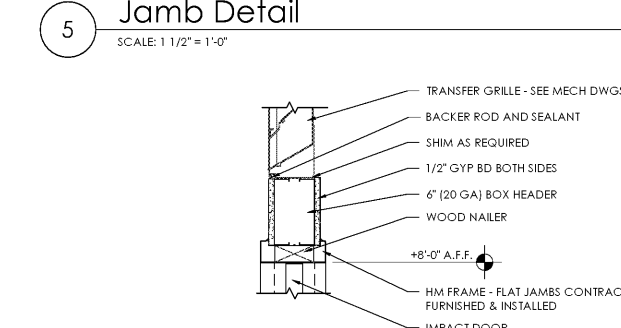
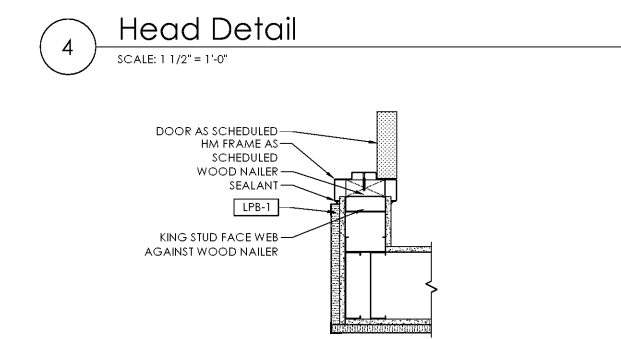
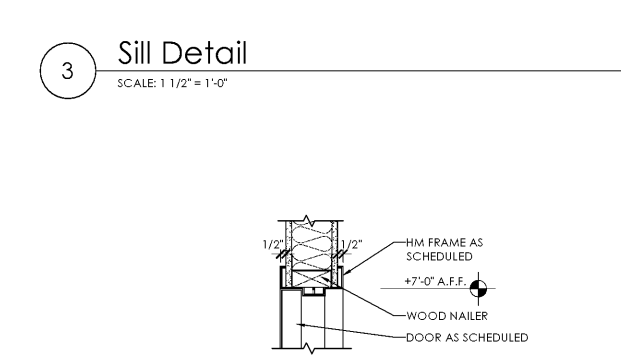
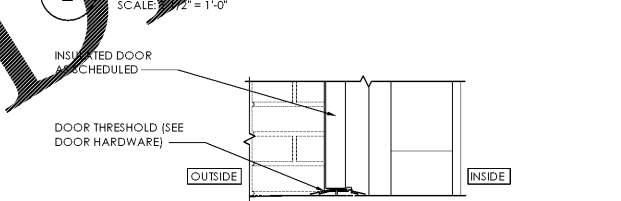
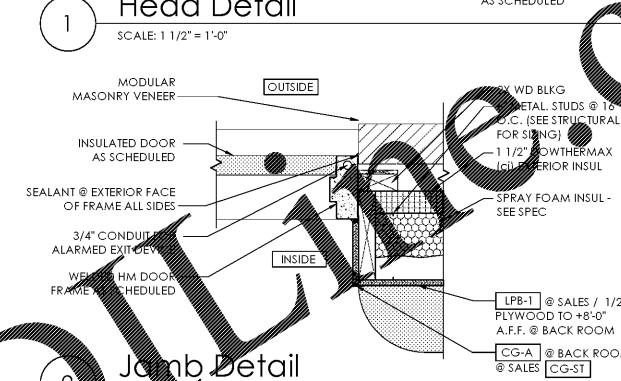
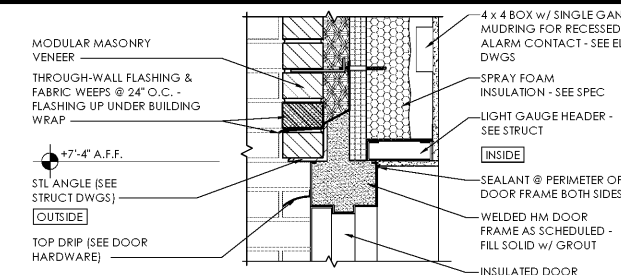
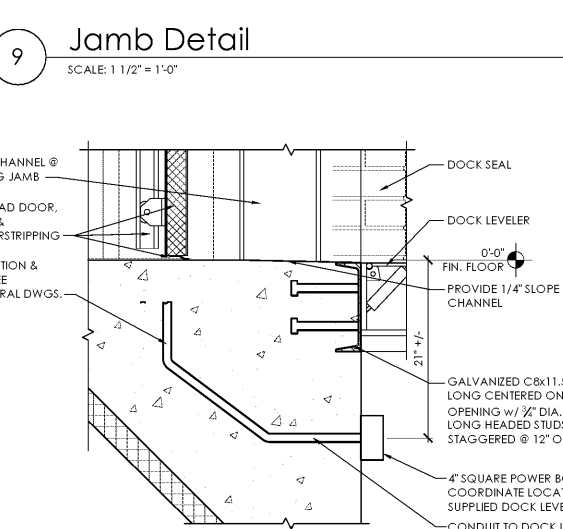
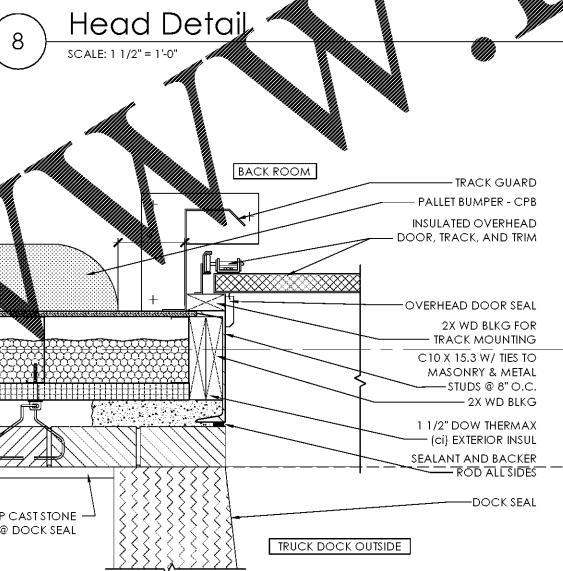
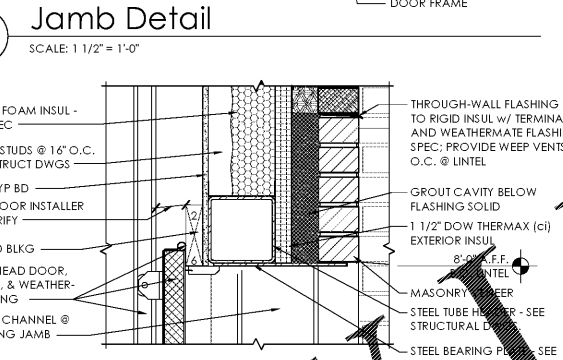
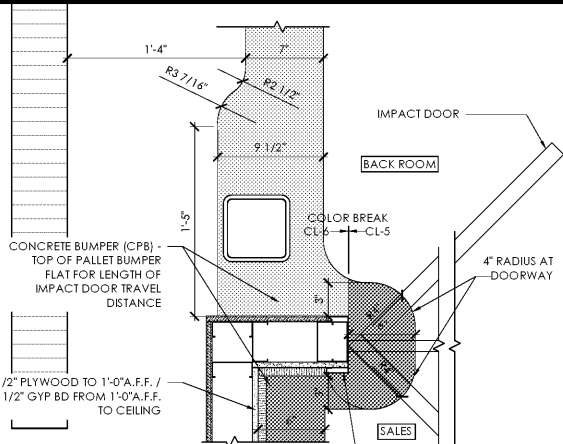
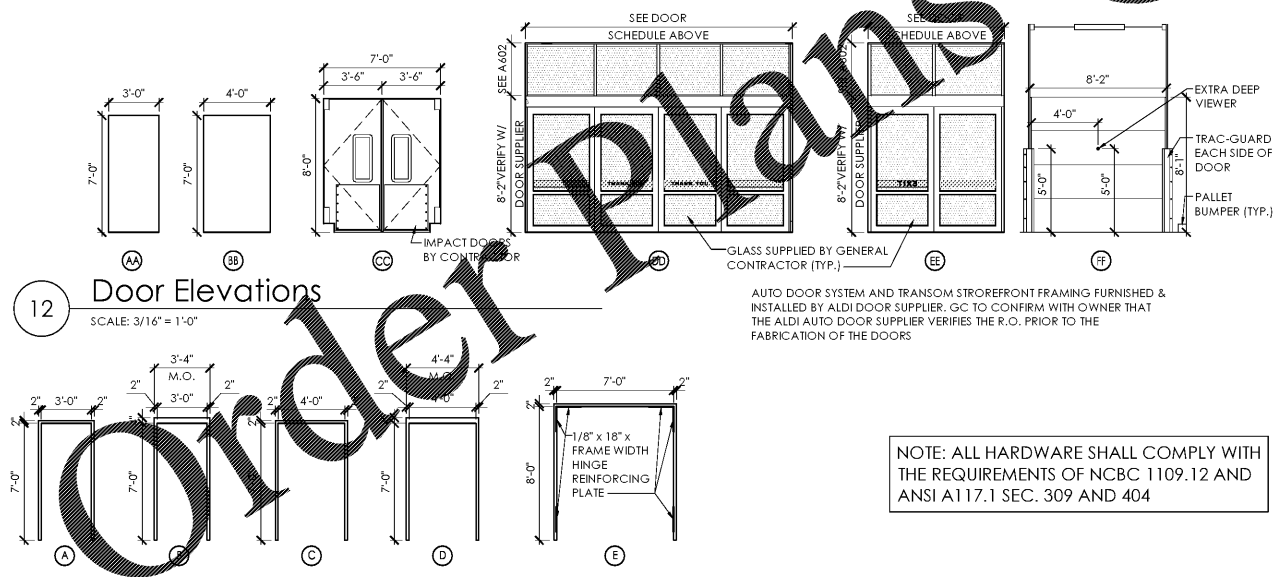
LEGEND	
H.M.	HOLLOW METAL
ALUM.	ANODIZED ALUMINUM
POLY	POLYETHYLENE

NOTE:
SEE SHEET A603 FOR FINISH SCHEDULES
SEE SHEETS A212-A214 & E201 FOR POWER REQUIREMENTS & COMPONENT LOCATIONS AT DOORS 102B, 104, 109A & 109C.

KEYNOTES - FINISHES (SEE A-603 COLOR/MATERIAL SCHEDULE)			
1	PF-3 / CL-5	SEMIGLOSS - INTERIOR SIDE	
2	PF-19 / CL-5	SEMIGLOSS - EXTERIOR SIDE	
3	PREFINISHED	WHITE - INTERIOR SIDE	

DOOR HARDWARE SET NO. 100				
DOOR NO. 101A, 101B, 101C; PROVIDED BY OWNER.				
DOOR HARDWARE SET NO. 200				
DOOR NO. 103, 105; MENS & WOMENS; EACH TO HAVE THE FOLLOWING:				
No.	Item	Description	Manufacturer	Finish
3	HINGES	FBB179-NRP	STANLEY HARDWARE (STH)	626
1	PRIVACY LOCK	ND405	SCHLAGE (SCH)	626
1	CLOSER	8501-BF-AL	NORTON DOOR (NDC)	AL
1	WALL STOP	402-1/2	IVES (IVS)	AL
1	12" H. PROTECTIVE PLATE	8400	IVES (IVS)	630
DOOR HARDWARE SET NO. 400				
DOOR NO. 107 & 110A; OFFICE & FUTURE SPACE; EACH TO HAVE THE FOLLOWING:				
No.	Item	Description	Manufacturer	Finish
3	HINGES	FBB179-NRP	STANLEY HARDWARE (STH)	626
1	STOREROOM LOCK	ND808DC	SCHLAGE (SCH)	626
1	CLOSER	8501-BF-AL	NORTON DOOR (NDC)	AL
1	WALL STOP	402-1/2	IVES (IVS)	AL
1	DOOR VIEWER	698	IVES (IVS)	AL
1	42" H. PROTECTIVE PLATE	8400	IVES (IVS)	630
DOOR HARDWARE SET NO. 401				
DOOR NO. 106 & 106A; BREAK ROOM TO HAVE THE FOLLOWING:				
No.	Item	Description	Manufacturer	Finish
3	HINGES	FBB179-NRP	STANLEY HARDWARE (STH)	626
1	PRIVACY LOCK	SCHLAGE L9485P 06A X L283-722 X 2 EMERGENCY KEYS	SCHLAGE (SCH)	626
1	CLOSER	8501-BF-AL	NORTON DOOR (NDC)	AL
1	WALL STOP	402-1/2	IVES (IVS)	AL
1	DOOR VIEWER	698	IVES (IVS)	AL
1	42" H. PROTECTIVE PLATE	8400	IVES (IVS)	630

DOOR HARDWARE SET NO. 500				
DOOR NO. 102B, 104; EGRESS TO HAVE THE FOLLOWING:				
No.	Item	Description	Manufacturer	Finish
2	HINGES	FBB191(32D)-NRP	STANLEY HARDWARE (STH)	630
1	HINGE	EW8-626	DETEX	626
1	THRESHOLD	896N	NATIONAL GUARD (NGP)	AL
1	EXIT/PANIC	V40EX4XDxC7X KS(36"or48") - INCLUDES TRANSFORMER PP-5152-3	DETEX	628
1	REMOTE SOUNDER	CS-29405	DETEX	GREY
1	CLOSER	8501-BF-AL	NORTON DOOR (NDC)	AL
1	DRIP STRIP	16A	NATIONAL GUARD (NGP)	CLEAR ANOD AL
1	STICK-ON GASKET	5060B	NATIONAL GUARD (NGP)	CLEAR ANOD AL
1	DOOR SWEEP	9605A	NATIONAL GUARD (NGP)	CLEAR ANOD AL
DOOR HARDWARE SET NO. 600				
DOOR NO. 109A; BACKROOM EGRESS TO HAVE THE FOLLOWING:				
No.	Item	Description	Manufacturer	Finish
2	HINGES	FBB191(32D)-NRP	STANLEY HARDWARE (STH)	630
1	HINGE	EW8-626	DETEX	626
1	THRESHOLD	896N	NATIONAL GUARD (NGP)	AL
1	EXIT/PANIC	V40092W 628x(R HR01HR)xEAx LDxC7xKxSx (36"or48") - INCLUDES TRANSFORMER PP-5152-3	DETEX	628
1	REMOTE SOUNDER	CS-29405	DETEX	GREY
1	CLOSER W/ HOLD OPEN	1601H	NORTON DOOR (NDC)	AL
1	DRIP STRIP	16A	NATIONAL GUARD (NGP)	CLEAR ANOD AL
1	STICK-ON GASKET	5060B	NATIONAL GUARD (NGP)	CLEAR ANOD AL
1	DOOR SWEEP	9605A	NATIONAL GUARD (NGP)	CLEAR ANOD AL
1	DOOR VIEWER	698	IVES (IVS)	AL



Issued:	Date:
A Permit Set	12/05/17
B Client Review Set	05/03/18
C Bid Set	05/11/18
D	

Revisions:	Date:
1	
2	
4	
5	
7	
8	
9	

DO NOT SCALE PLANS
Copying, printing, software and other processes required to produce these prints can stretch or shrink the actual paper or layout. Therefore, scaling of this drawing may be inaccurate. Contact our consultants with any need for additional dimensions or clarifications.

ms consultants, inc.
engineers, architects, planners
920 Main Campus Drive
Suite 430
Raleigh, NC 27606-5213
phone 919.772.5565
fax 919.779.2308

DRAWN BY: MEM/KNW
REVIEWED BY: JAB

ALDI Inc.
1985 Old Union Church Road
Salisbury, NC 28146
(704) 642-0023
(704) 642-0078 fax

ALDI Inc. Store #: 65
Charlotte, NC
6113 Idlewild Road
Charlotte, NC 28212
Mecklenburg County
Project Name & Location:

Door Schedules & Details
Drawing Name:

Prototype Rls. 09/07/17	Project No. 40452-13
Type: LHSD-V8	
	A-601

Scale: As Noted Drawing No.