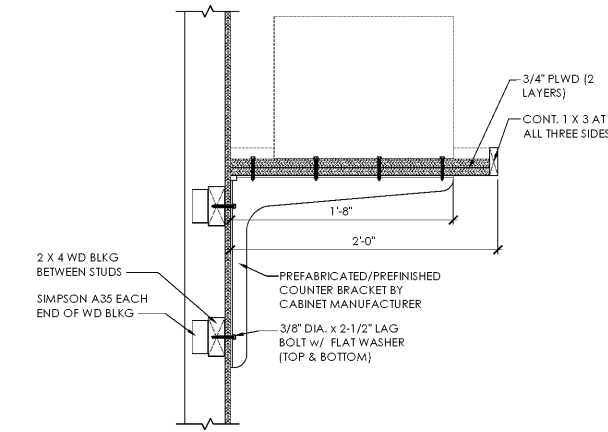


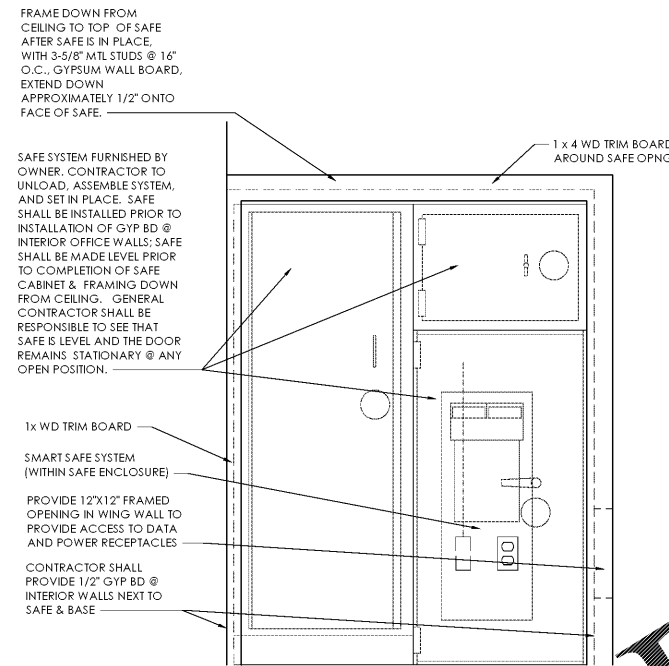
Interior Plan Detail - Vacuum System

SCALE: 3/4" = 1'-0"



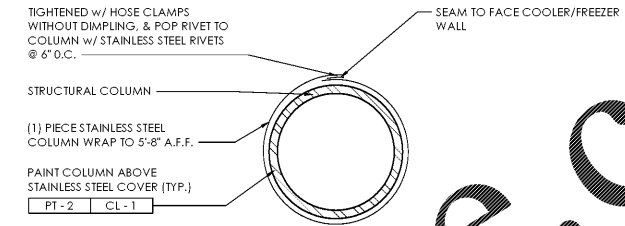
Interior Section Detail - UPS Shelf

SCALE: 1 1/2" = 1'-0"



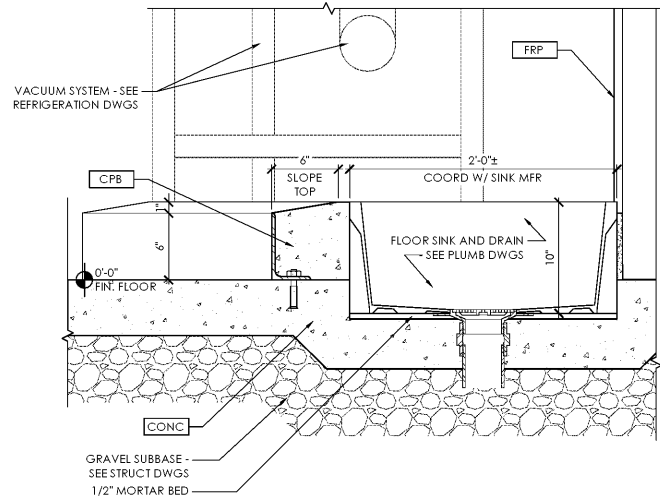
Interior Elevation Detail - Office Safe

SCALE: 1" = 1'-0"



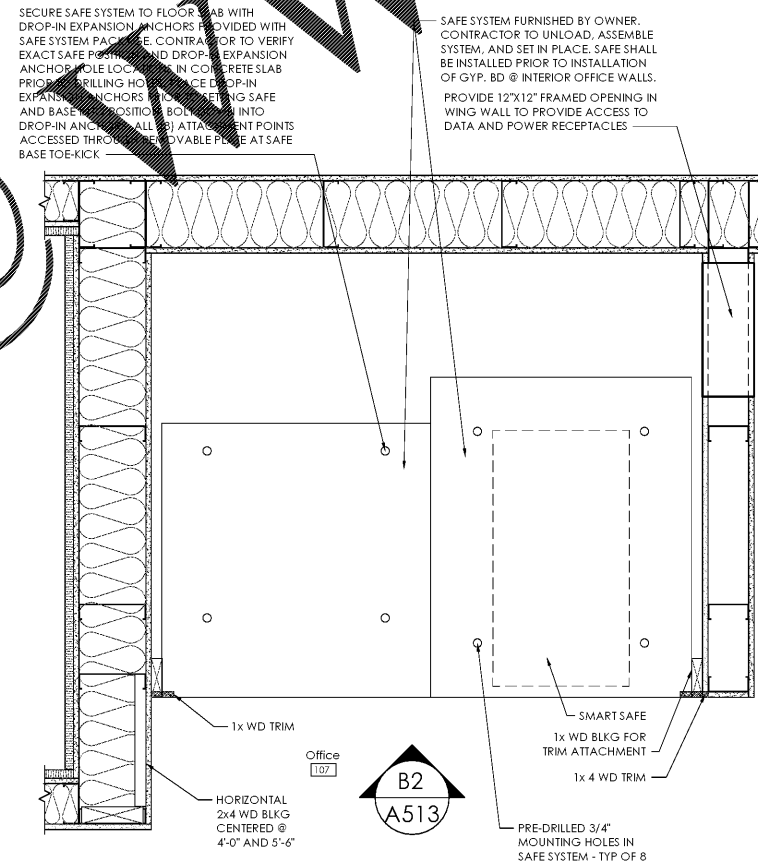
Interior Plan Detail - Sales Area Column Wrap

SCALE: 1 1/2" = 1'-0"



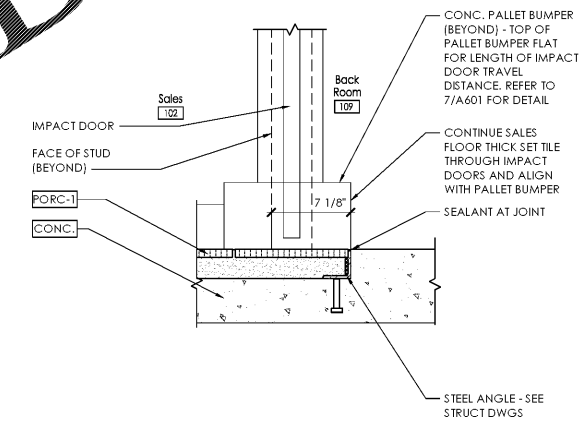
Interior Section Detail - Vacuum System Floor Sink (Side)

SCALE: 1 1/2" = 1'-0"



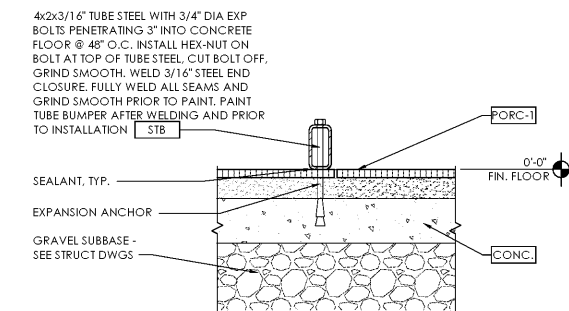
Interior Plan Detail - Office Safe

SCALE: 1 1/2" = 1'-0"



Interior Section Detail - Slab at Impact Door

SCALE: 1 1/2" = 1'-0"

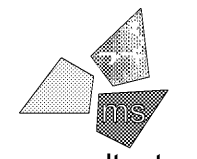


Interior Plan Detail - Tube Steel Attachment

SCALE: 1 1/2" = 1'-0"

Issued:	Date:
A Permit Set	12/05/17
B Client Review Set	05/03/18
C Bid Set	05/11/18
D	
Revisions:	Date:
1	
2	
3	
4	
5	
6	
7	
8	
9	

DO NOT SCALE PLANS
Copying, printing, software and other processes required to produce these prints can stretch or shrink the actual paper or layout. Therefore, scaling of this drawing may be inaccurate. Contact our consultants with any need for additional dimensions or clarifications.



ms consultants, inc.
engineers, architects, planners
920 Main Campus Drive
Suite 430
Raleigh, NC 27606-5213
phone 919.772.5565
fax 919.779.2308

DRAWN BY: MEM/KNW
REVIEWED BY: JAB

Seal



ALDI Inc. Store #: 65
Charlotte, NC
6113 Idlewild Road
Charlotte, NC 28212
Mecklenburg County
Project Name & Location:

Interior Details
Drawing Name:
Prototype Rls. 09/07/17
Project No. 40452-13
Type: LHSD-V8
A-513
Scale: As Noted
Drawing No.

Order Plans @ www.LDOnline.com