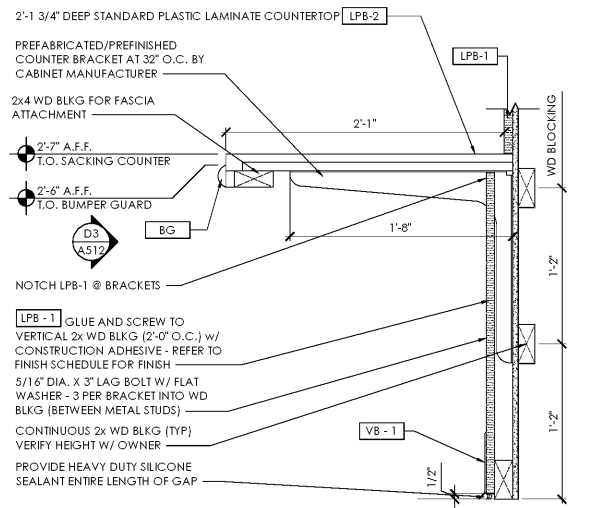


**Interior Elevation Detail:
Sacking Counter**

D3

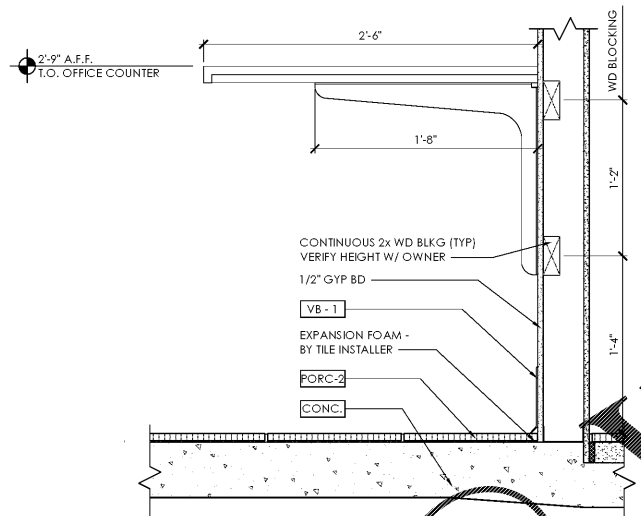
SCALE: 1 1/2" = 1'-0"



**Interior Section Detail -
Sacking Counter**

C3

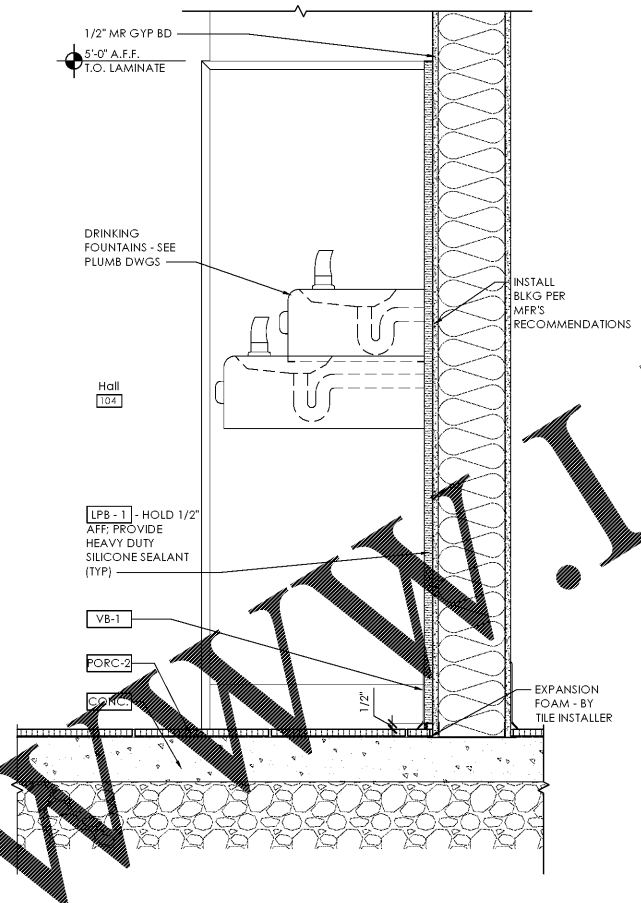
SCALE: 1 1/2" = 1'-0"



**Interior Section Detail
Office Counter**

C2

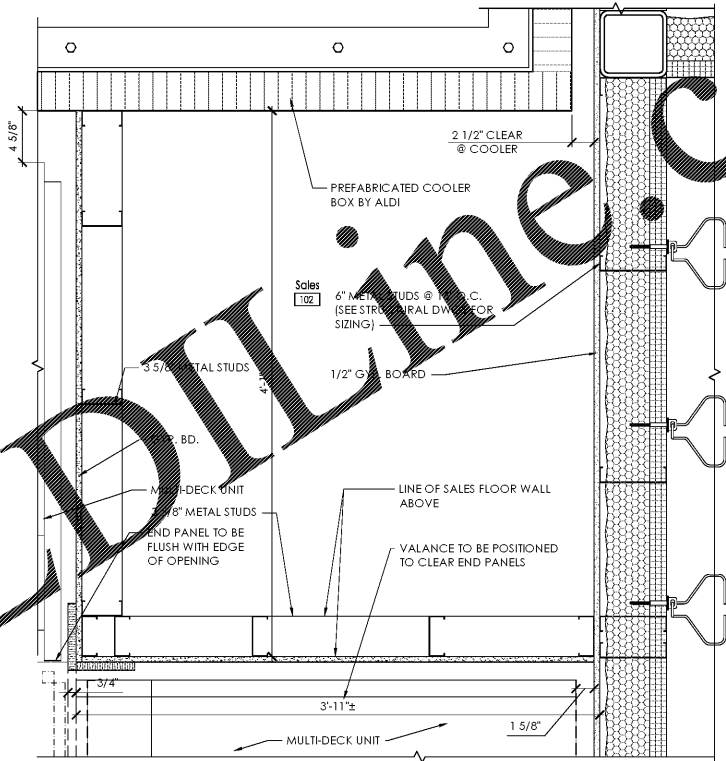
SCALE: 1 1/2" = 1'-0"



**Interior Section Detail:
Drinking Fountain**

B2

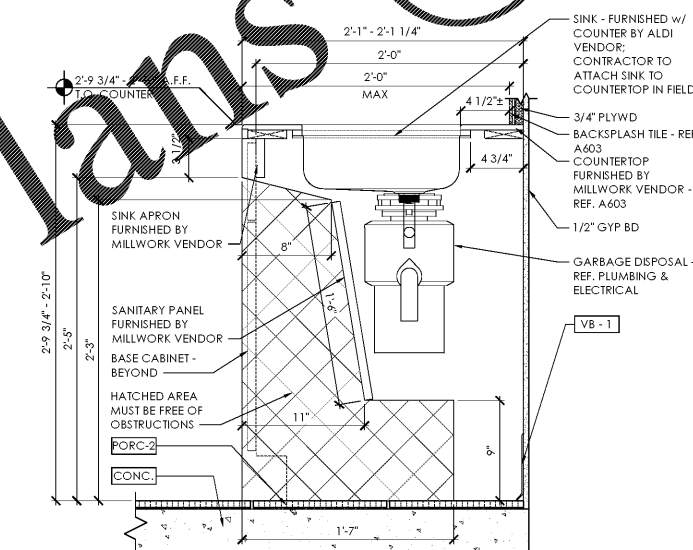
SCALE: 1 1/2" = 1'-0"



**Interior Plan Detail -
MDU and Cooler Alcove**

A2

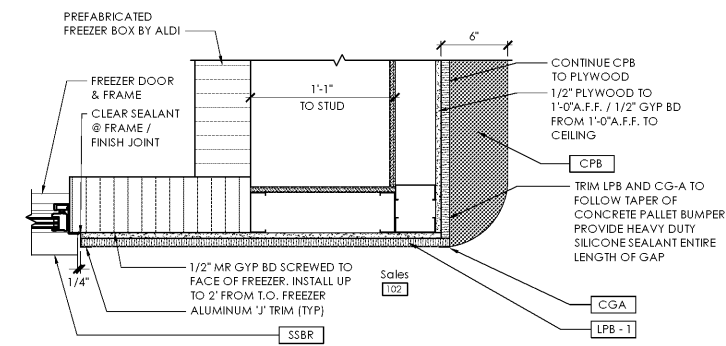
SCALE: 1 1/2" = 1'-0"



**Interior Section Detail -
Break Room Sink cabinet**

C1

SCALE: 1 1/2" = 1'-0"



**Interior Plan Detail -
Wall Near Flap Doors**

A1

SCALE: 1 1/2" = 1'-0"

Issued:	Date:
A Permit Set	12/05/17
B Client Review Set	05/03/18
C Bid Set	05/11/18
D	

Revisions:	Date:
1	
2	
3	
4	
5	
6	
7	
8	
9	

DO NOT SCALE PLANS
Copying, printing, software and other processes required to produce these prints can stretch or shrink the actual paper or layout. Therefore, scaling of this drawing may be inaccurate. Contact our consultants with any need for additional dimensions or clarifications.

ms consultants, inc.
engineers, architects, planners
920 Main Campus Drive
Suite 430
Raleigh, NC 27606-5213
phone 919.772.5565
fax 919.779.2308

DRAWN BY: MEM/KNW
REVIEWED BY: JAB

Seal

ALDI Inc.
1985 Old Union Church Road
Salisbury, NC 28146
(704) 642-0023
(704) 642-0078 fax

ALDI Inc. Store #: 65
Charlotte, NC
6113 Idlewild Road
Charlotte, NC 28212
Mecklenburg County
Project Name & Location:

Interior
Details
Drawing Name:
Prototype Rls. 09/07/17 Project No. 40452-13
Type: LHSD-V8
A-512
Scale: As Noted Drawing No.

Order Plans @

D

C

B

A