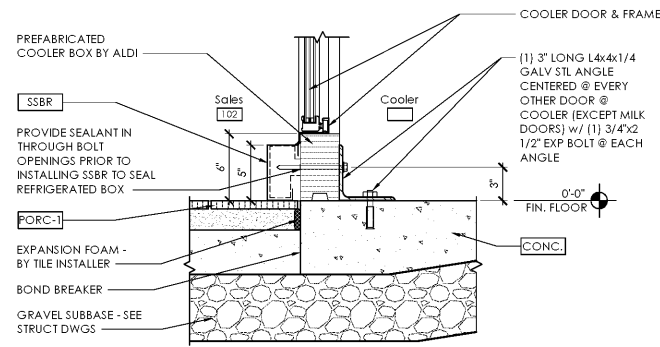
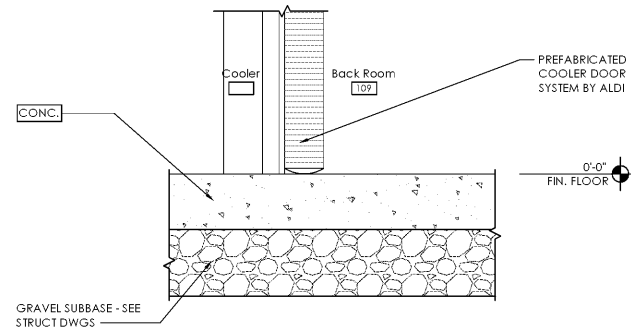


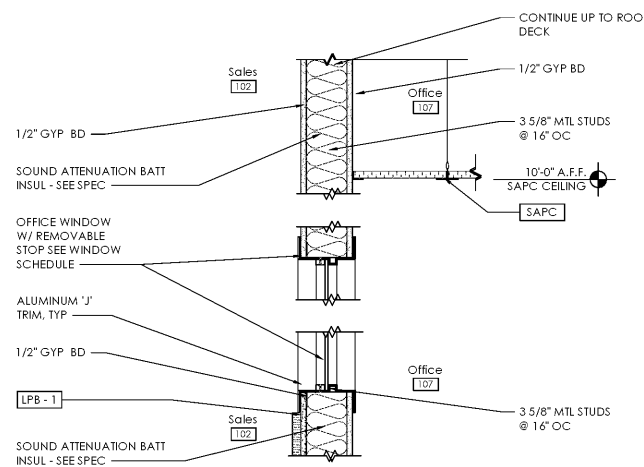
D3 Interior Section Detail - Interior Wall Head at Sales
SCALE: 1 1/2" = 1'-0"



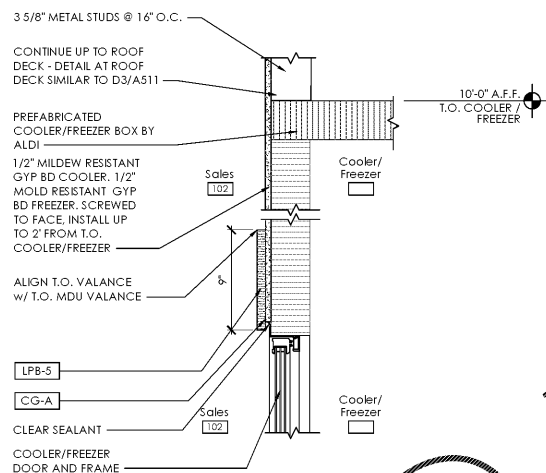
C3 Interior Section Detail - Cooler at General Doors
SCALE: 1 1/2" = 1'-0"



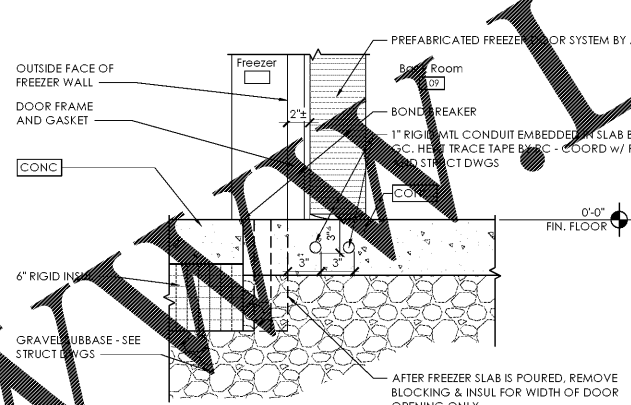
B3 Interior Section Detail - Cooler at Service Door
SCALE: 1 1/2" = 1'-0"



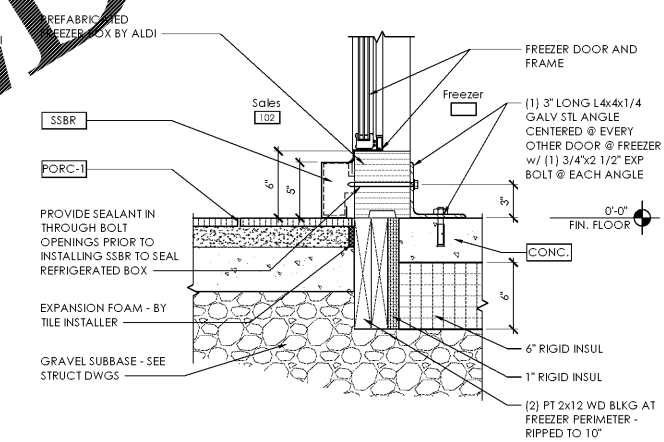
D2 Interior Section Detail - Office Window
SCALE: 1 1/2" = 1'-0"



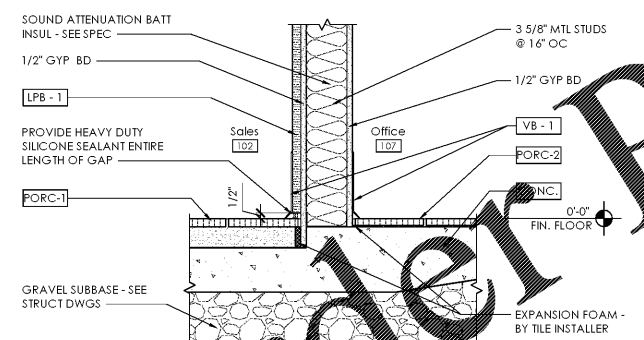
C2 Interior Section Detail - T.O. Cooler/Freezer at Sales
SCALE: 1 1/2" = 1'-0"



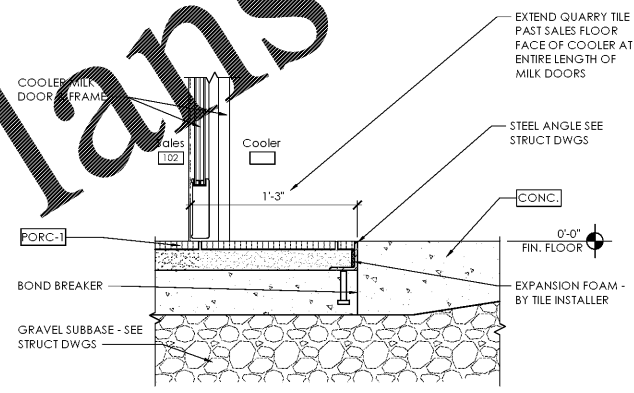
B2 Interior Section Detail - Freezer at Service Door
SCALE: 1 1/2" = 1'-0"



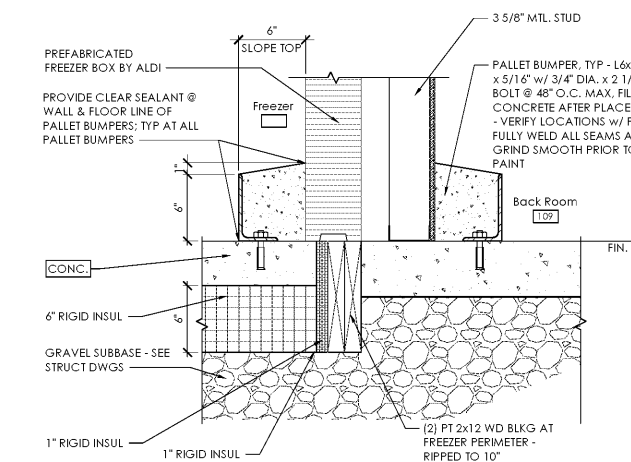
A2 Interior Section Detail - Freezer at General Doors
SCALE: 1 1/2" = 1'-0"



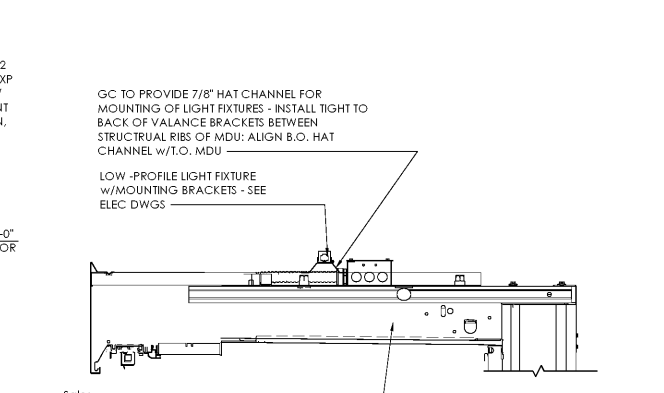
D1 Interior Section Detail - Wall Base at Office and Sales
SCALE: 1 1/2" = 1'-0"



C1 Interior Section Detail - Cooler at Milk Doors
SCALE: 1 1/2" = 1'-0"



B1 Interior Section Detail - Freezer at Back Room
SCALE: 1 1/2" = 1'-0"



A1 Interior Section Detail - MDU Valance
SCALE: 1 1/2" = 1'-0"

Issued:	Date:
A Permit Set	12/05/17
B Client Review Set	05/03/18
C Bid Set	05/11/18
D	

Revisions:	Date:
1	
2	
3	
4	
5	
6	
7	
8	
9	

DO NOT SCALE PLANS
Copying, printing, software and other processes required to produce these prints can stretch or shrink the actual paper or layout. Therefore, scaling of this drawing may be inaccurate. Contact us consultants with any need for additional dimensions or clarifications.

ms consultants, inc.
engineers, architects, planners
920 Main Campus Drive
Suite 430
Raleigh, NC 27606-5213
phone 919.772.5565
fax 919.779.2308

DRAWN BY: MEM/KNW
REVIEWED BY: JAB

Seal

ALDI Inc.
1985 Old Union Church Road
Salisbury, NC 28146
(704) 642-0023
(704) 642-0078 fax

ALDI Inc. Store #: 65
Charlotte, NC
6113 Idlewild Road
Charlotte, NC 28212
Mecklenburg County
Project Name & Location:

Interior
Details - Section
Drawing Name:
Prototype Rls. 09/07/17
Project No. 40452-13
Type: LHSD-V8
A-511
Scale: As Noted
Drawing No.

Order Plans @

WWW.LDILine.com

D

C

B

A