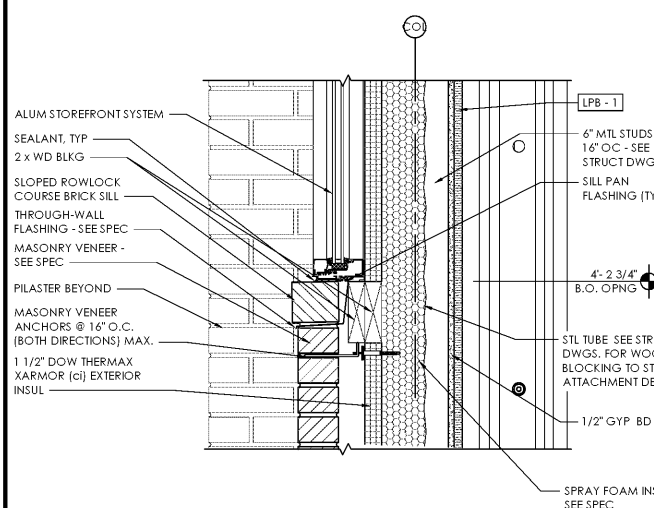


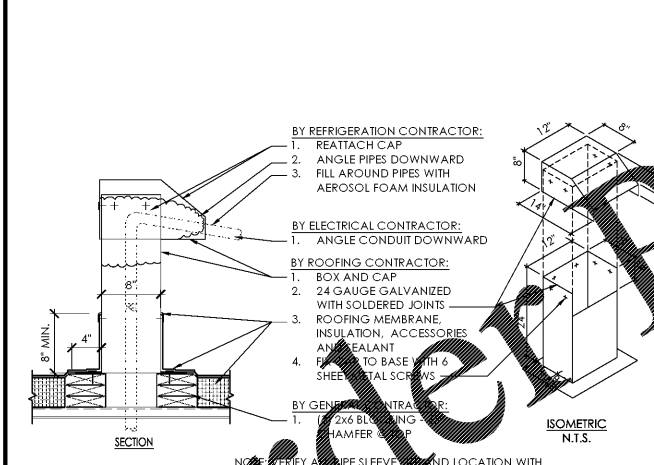
D3 Exterior Section Detail - B.O. Spandrel Opening - FCP

SCALE: 1 1/2" = 1'-0"



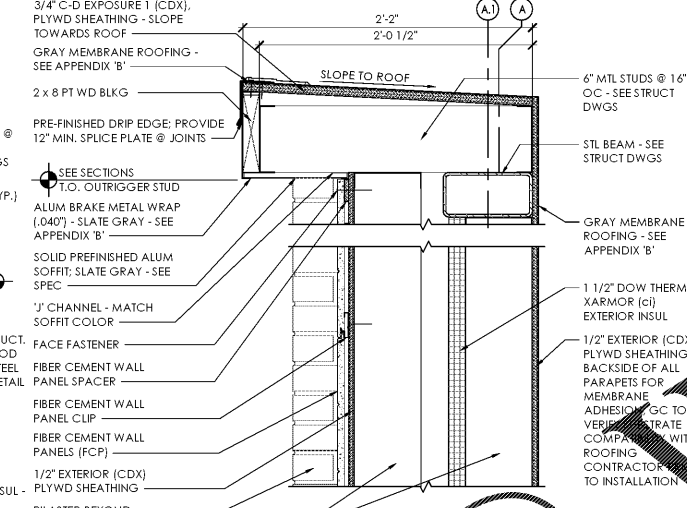
D2 Exterior Section Detail - B.O. Spandrel Opening - Brick

SCALE: 1 1/2" = 1'-0"



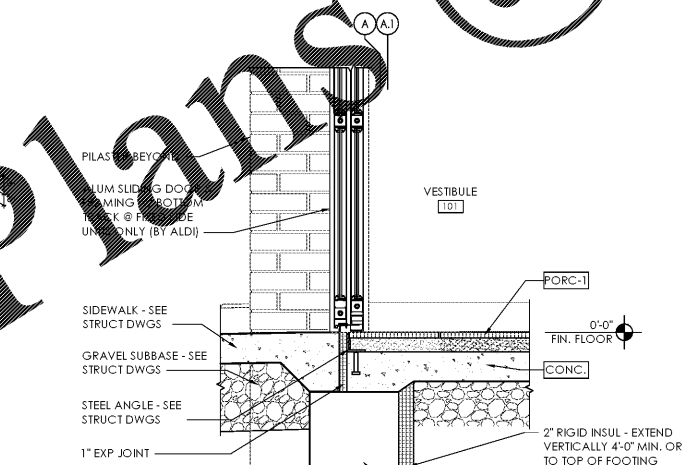
D1 Exterior Section Detail - Multiple Pipe Boot Curb

SCALE: 1" = 1'-0"



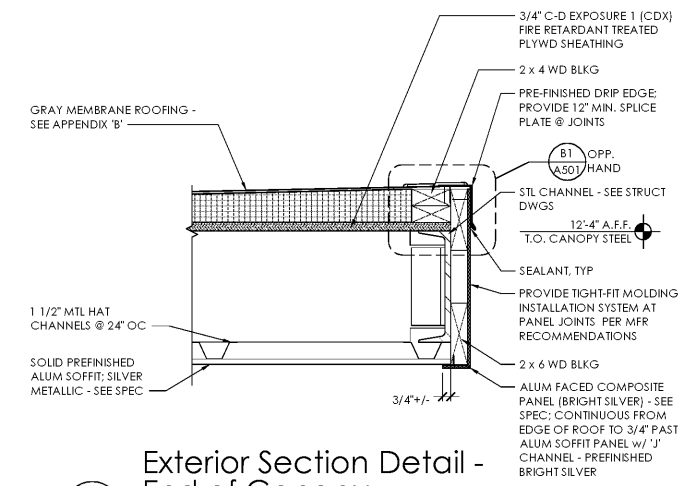
C2 Exterior Section Detail (High Tower) - Parapet at Tower

SCALE: 1 1/2" = 1'-0"



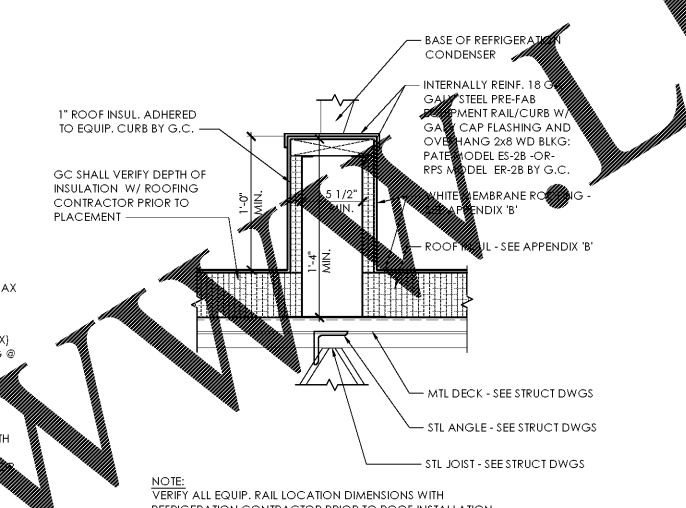
C1 Exterior Section Detail - Slab at Entry / Exit Door

SCALE: 1" = 1'-0"



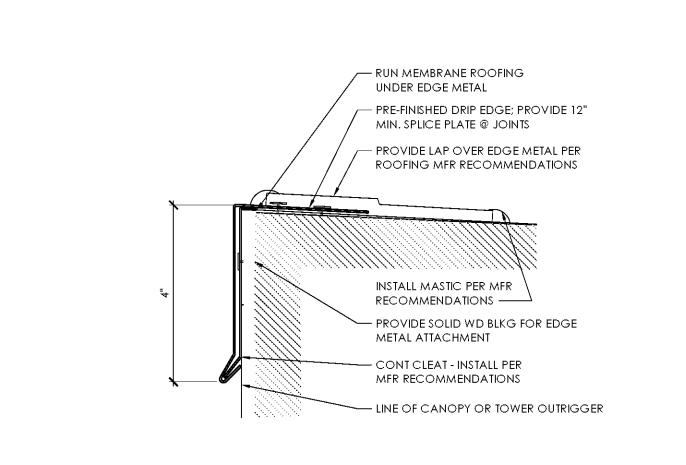
B3 Exterior Section Detail - End of Canopy

SCALE: 1 1/2" = 1'-0"



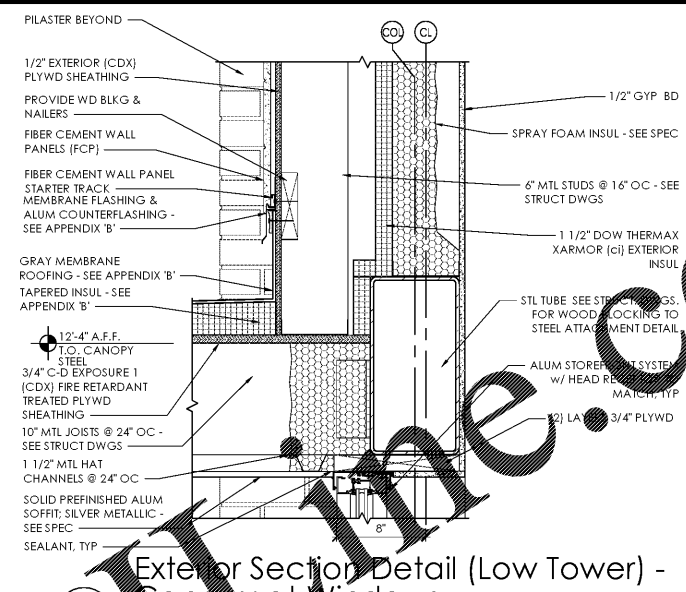
B2 Exterior Section Detail - Equipment Rail

SCALE: 1" = 1'-0"



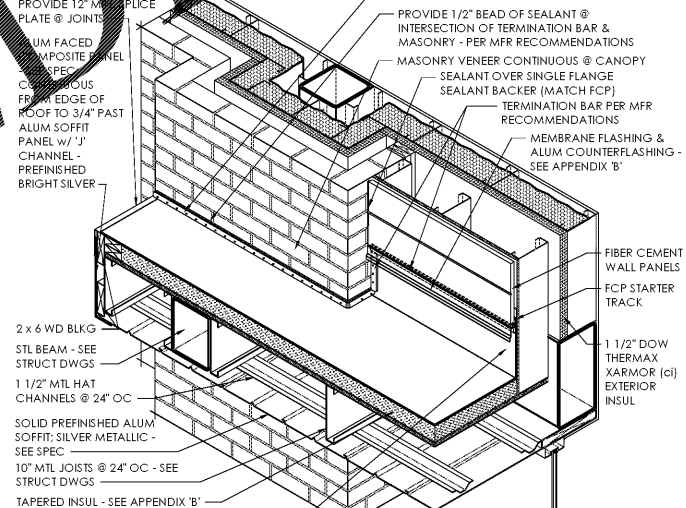
B1 Exterior Section Detail - Flashing at Canopy

SCALE: 6" = 1'-0"



A3 Exterior Section Detail (Low Tower) - Canopy at Windows

SCALE: 1 1/2" = 1'-0"



A2 Exterior Section Detail - Canopy Assembly

SCALE: 3/4" = 1'-0"

Issued:	Date:
A Permit Set	12/05/17
B Client Review Set	05/03/18
C Bid Set	05/11/18
D	
Revisions:	Date:
1	
2	
3	
4	
5	
6	
7	
8	
9	

DO NOT SCALE PLANS
Copying, printing, software and other processes required to produce these prints can stretch or shrink the actual paper or layout. Therefore, scaling of this drawing may be inaccurate. Contact ms consultants with any need for additional dimensions or clarifications.

ms consultants, inc.
engineers, architects, planners
920 Main Campus Drive
Suite 430
Raleigh, NC 27606-5213
phone 919.772.5565
fax 919.779.2308

DRAWN BY: MEM/KNW
REVIEWED BY: JAB

Seal

ALDI Inc.
1985 Old Union Church Road
Salisbury, NC 28146
(704) 642-0023
(704) 642-0078 fax

ALDI Inc. Store #: 65
Charlotte, NC
6113 Idlewild Road
Charlotte, NC 28212
Mecklenburg County
Project Name & Location:

Exterior Details - Section
Drawing Name:

Prototype Rls. 09/07/17	Project No. 40452-13
Type: LHSD-V8	
	A-501
Scale: As Noted	Drawing No.