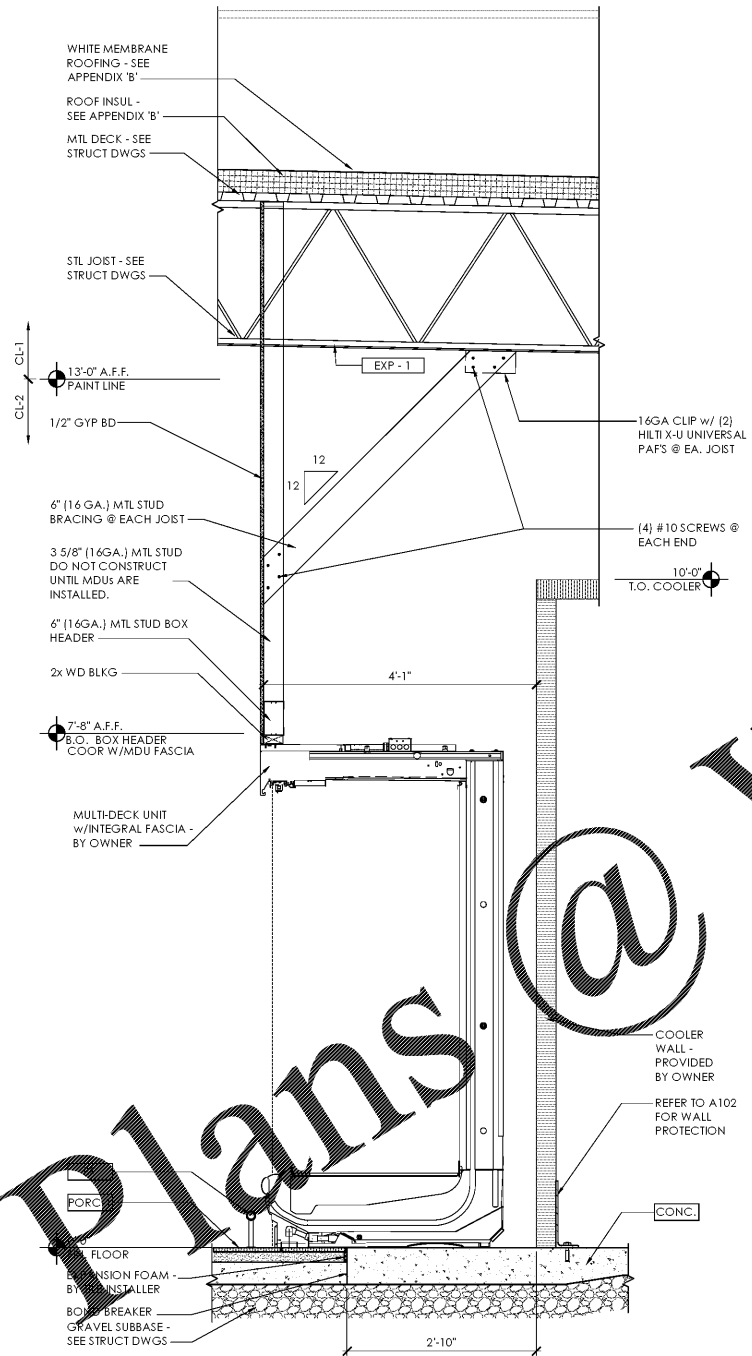
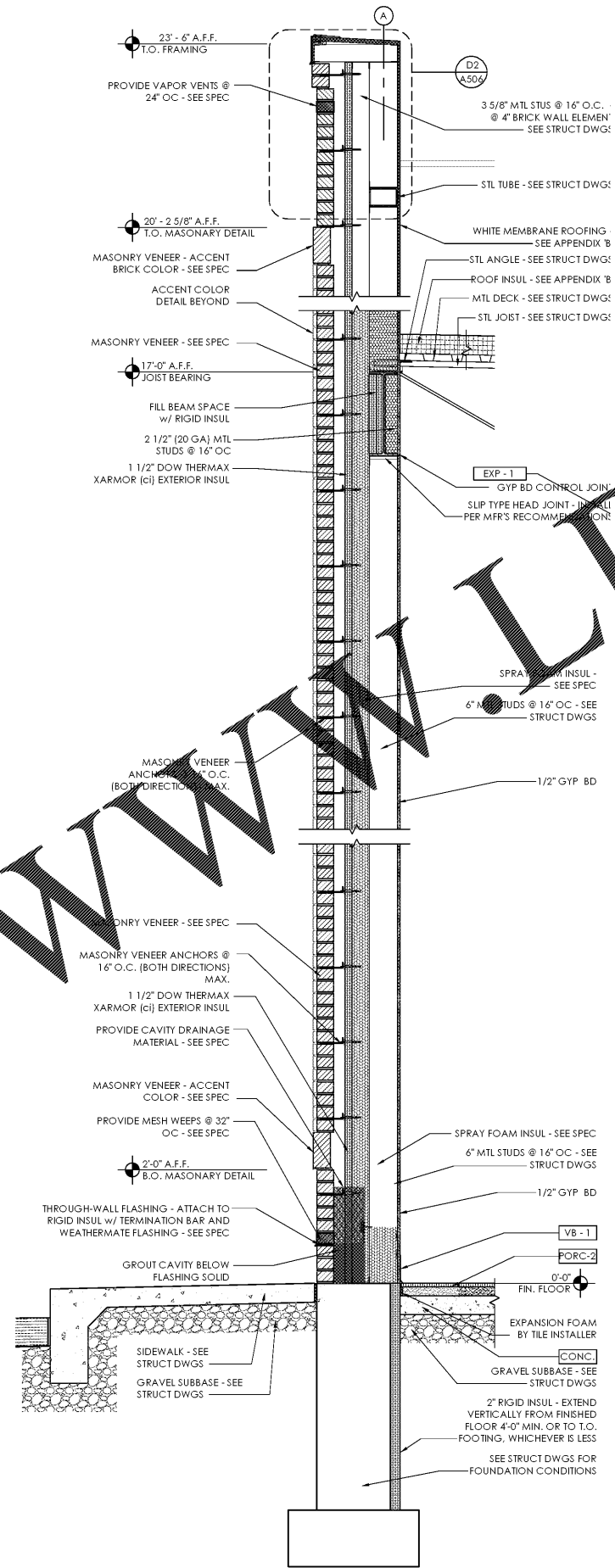


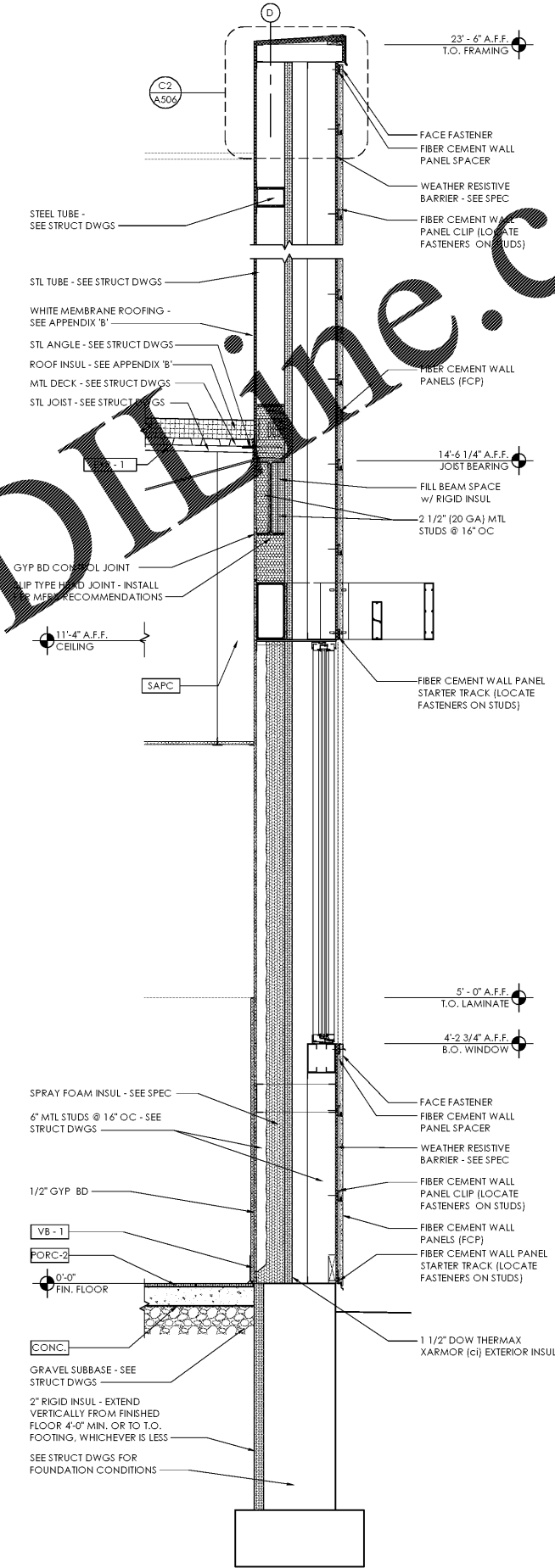
- NOTES:
- REFER TO SCHEDULES ON DRAWING A-603 FOR ALL FINISH AND INSULATION CALL-OUTS.
 - WRB TO BE SEALED AND TAPED PER MFR RECOMMENDATION. WRB TO WRAP INSIDE OPENINGS AND ALL JOINTS LAPPED PER MFR INSTALLATION REQMT.
 - PROTECT ALL EXTERIOR SHEATHING DURING CONSTRUCTION, AS REQUIRED BY MFR.



C1
Wall Section -
MDU @ Cooler
SCALE: 3/4" = 1'-0"



B1
Wall Section -
Brick Wall Element - 4" Projection
SCALE: 3/4" = 1'-0"



A1
Wall Section -
Fiber Cement Wall - 4" Projection
SCALE: 3/4" = 1'-0"

Issued:	Date:
A Permit Set	12/05/17
B Client Review Set	05/03/18
C Bid Set	05/11/18
D	

Revisions:	Date:
1	
2	
3	
4	
5	
6	
7	
8	
9	

DO NOT SCALE PLANS
Copying, printing, software and other processes required to produce these prints can stretch or shrink the actual paper or layout. Therefore, scaling of this drawing may be inaccurate. Contact our consultants with any need for additional dimensions or clarifications.

ms consultants, inc.
engineers, architects, planners
920 Main Campus Drive
Suite 430
Raleigh, NC 27606-5213
phone 919.772.5565
fax 919.779.2308

DRAWN BY: MEM/KNW
REVIEWED BY: JAB

Seal

ALDI Inc.
1985 Old Union Church Road
Salisbury, NC 28146
(704) 642-0023
(704) 642-0078 fax

ALDI Inc. Store #: 65
Charlotte, NC
6113 Idlewild Road
Charlotte, NC 28212
Mecklenburg County
Project Name & Location:

Wall Sections	
Drawing Name:	
Prototype Rls. 09/07/17	Project No. 40452-13
Type: LHSD-V8	
	A-306
Scale: As Noted	Drawing No.

Order Plans

@

WWW.LDLINE.COM