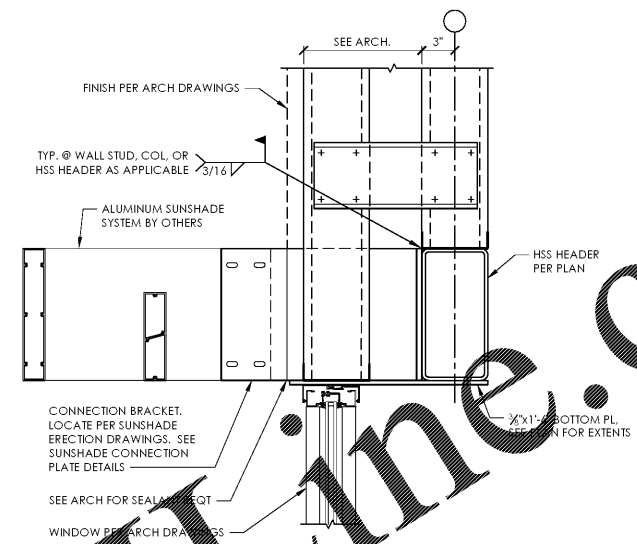
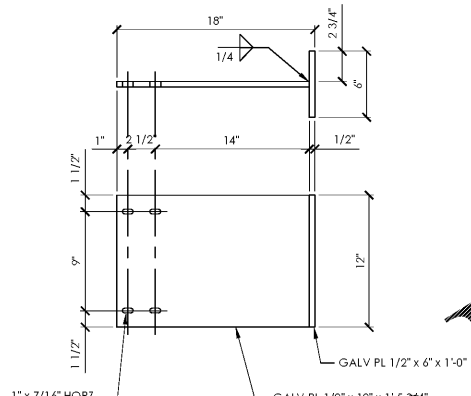


D3 HSS Window Header Conn. Detail
SCALE: 1 1/2" = 1'-0"



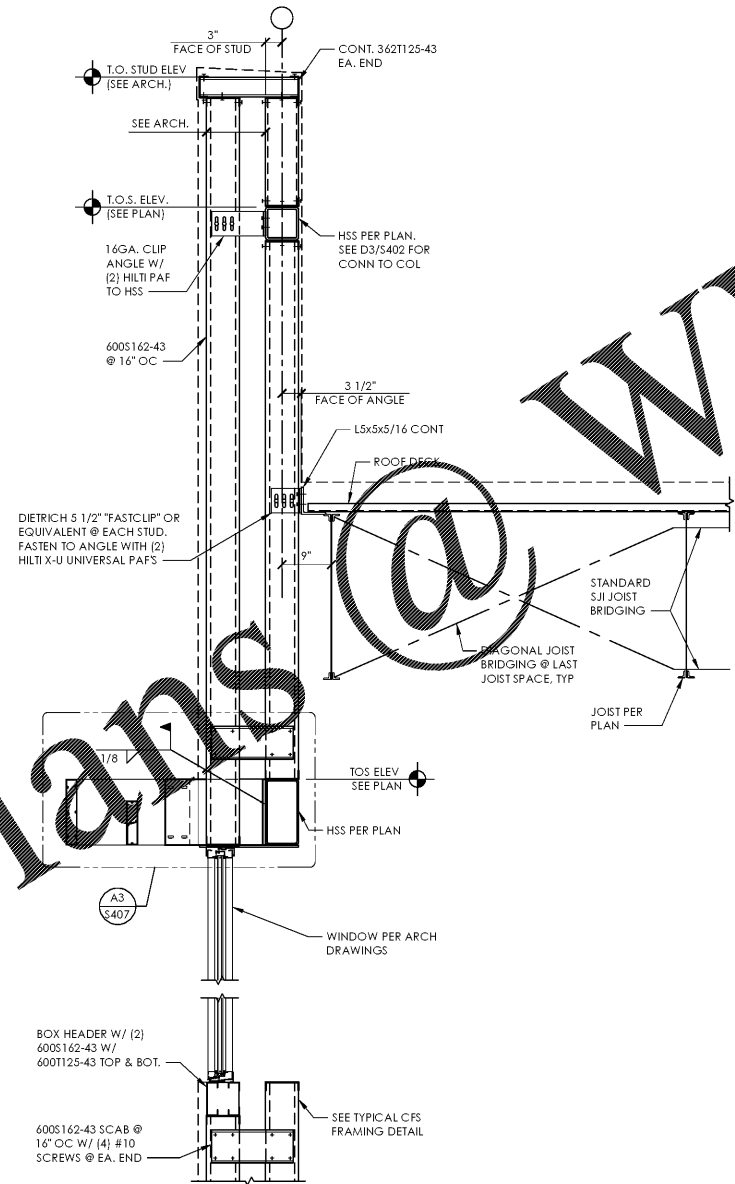
A3 Sun Shade Outrigger Connection @ HSS Header
SCALE: 1 1/2" = 1'-0"



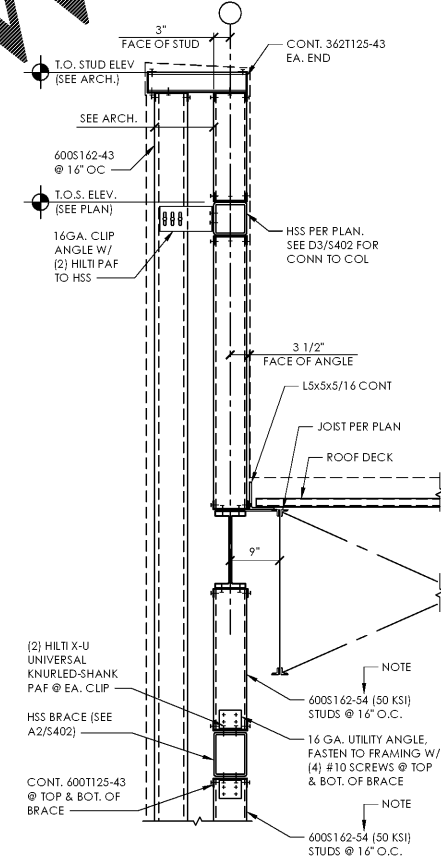
D1 Connection Bracket
REFERENCE: S407 & S408

NOTES FOR ALL CONNECTION BRACKETS:
1. CONNECTION BRACKETS ARE HOT-DIP GALVANIZED AND POWDER COATED WITH COLOR MATCHING SUNSHADE.
2. 3/8\"/>

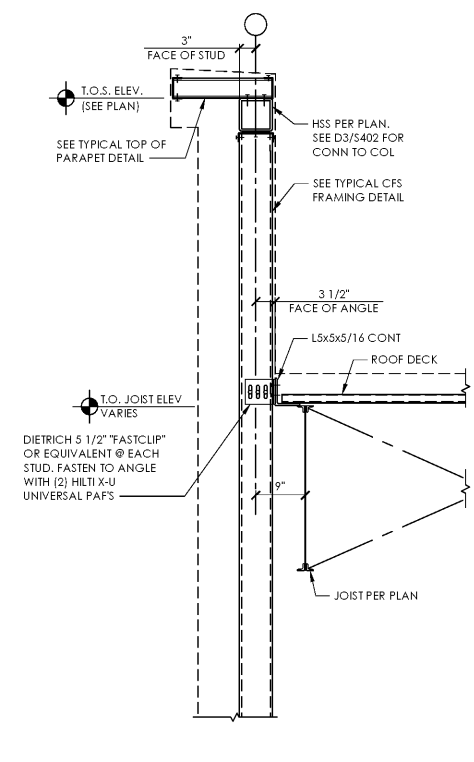
D1 Sun Shade Connection Plate Detail
SCALE: 1 1/2" = 1'-0"



C1 Section
SCALE: 3/4" = 1'-0"



B1 Section
SCALE: 3/4" = 1'-0"

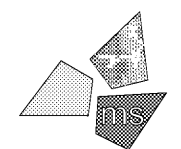


A1 Section
SCALE: 3/4" = 1'-0"

Issued:	Date:
A Permit Set	12/05/17
B Client Review Set	05/03/18
C Bid Set	05/11/18
D	

Revisions:	Date:
1	
2	
3	
4	
5	
6	
7	
8	
9	

DO NOT SCALE PLANS
Copying, Printing, Software and other processes required to produce these prints on stretch or shrink the actual paper or layout. Therefore, scaling of this drawing may be inaccurate. Contact ms consultants with any need for additional dimensions or clarifications.



ms consultants, inc.
engineers, architects, planners
920 Main Campus Drive
Suite 430
Raleigh, NC 27606-5213
phone 919.772.5565
fax 919.779.2308

DRAWN BY: CLS
REVIEWED BY: CEM

Seal



ALDI Inc. Store #: 65
Charlotte, NC
6113 Idlewild Road
Charlotte, NC 28212
Mecklenburg County
Project Name & Location:

Steel Framing Section & Details	
Drawing Name:	
Prototype Rls. 09/07/17	Project No. 40452-13
Type: LHSD-V8	
	S-407
Scale: As Noted	Drawing No.

PLOTTED: 5/11/2018 8:56 AM