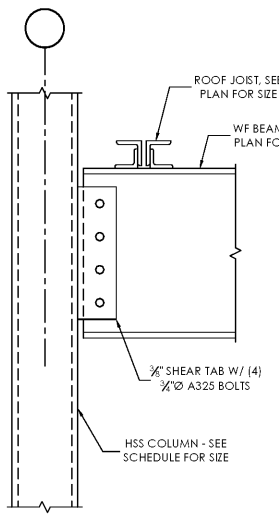
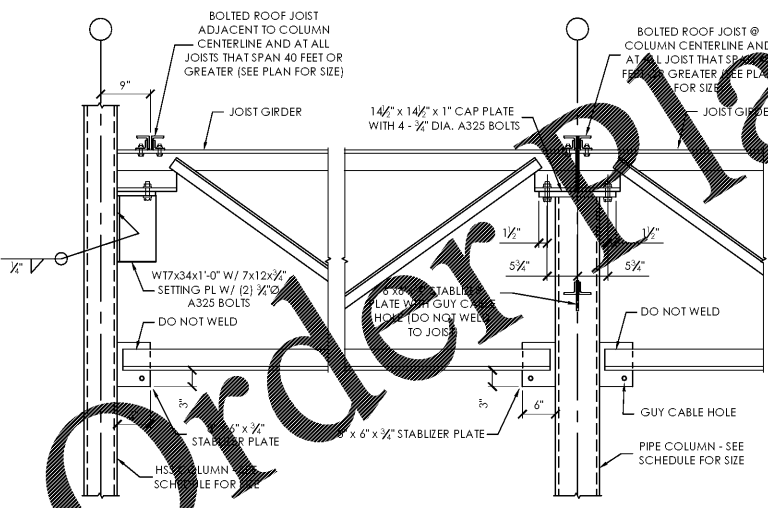


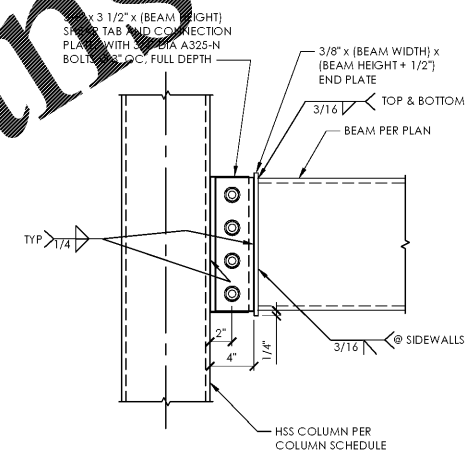
D3 Typical HSS Girt Connection Detail
SCALE: 1-1/2" = 1'-0"



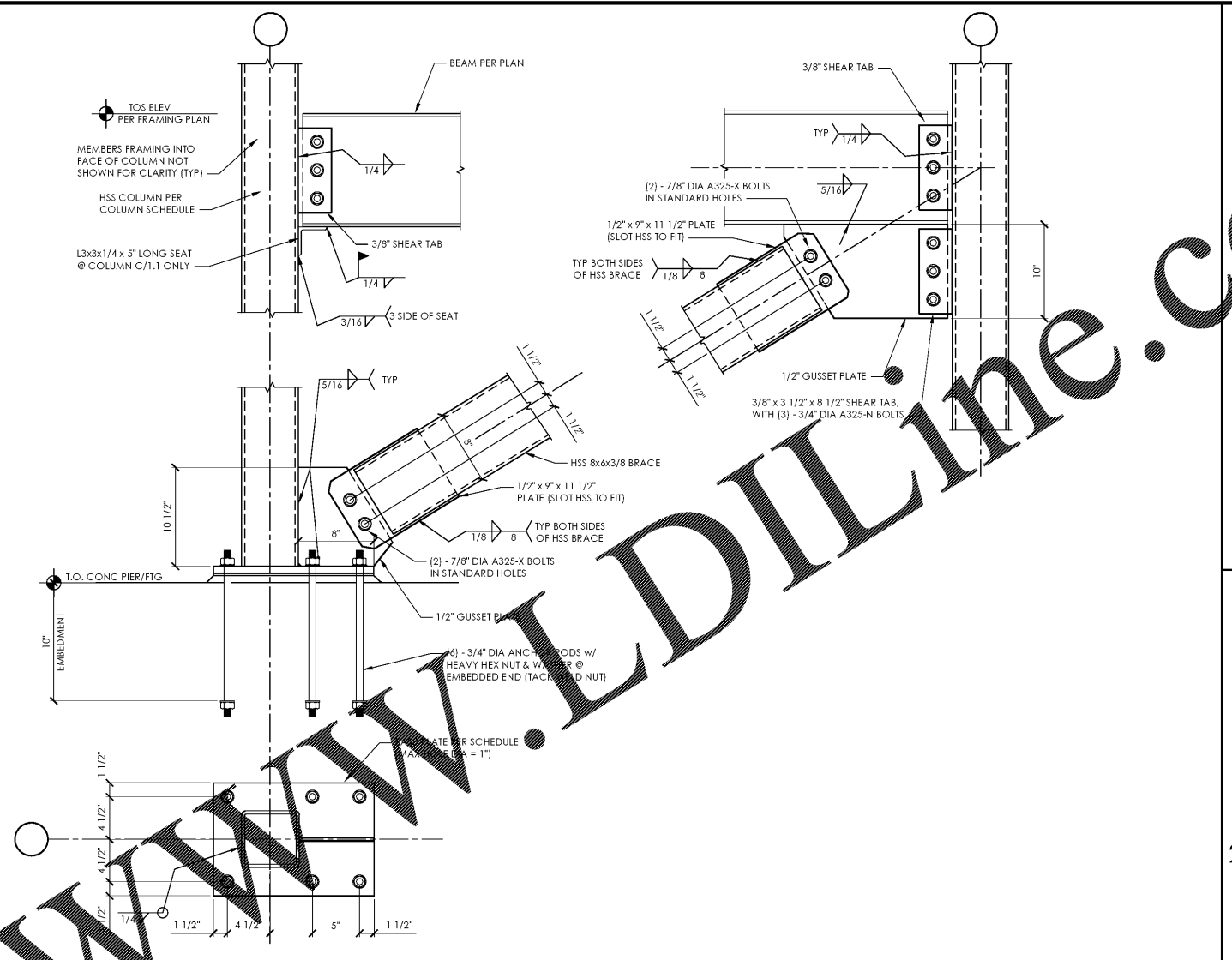
D2 Typical Beam-to-Column Detail
SCALE: 1-1/2" = 1'-0"



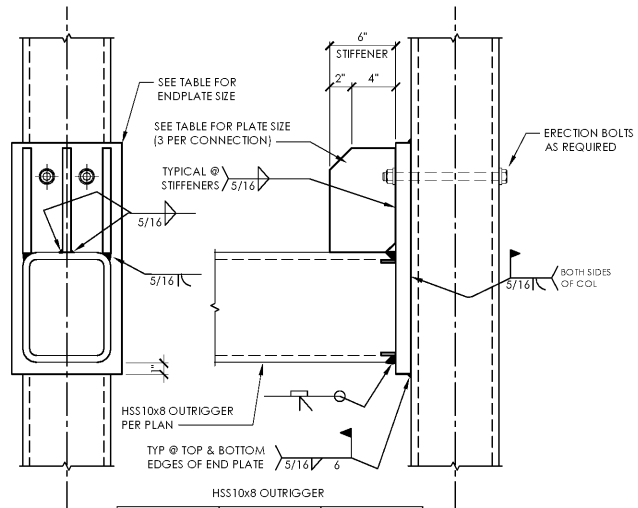
D1 Typical Joist Girder-to-Column Detail
SCALE: 3/4" = 1'-0"



C1 Typical HSS Header Connection Detail
SCALE: 1-1/2" = 1'-0"

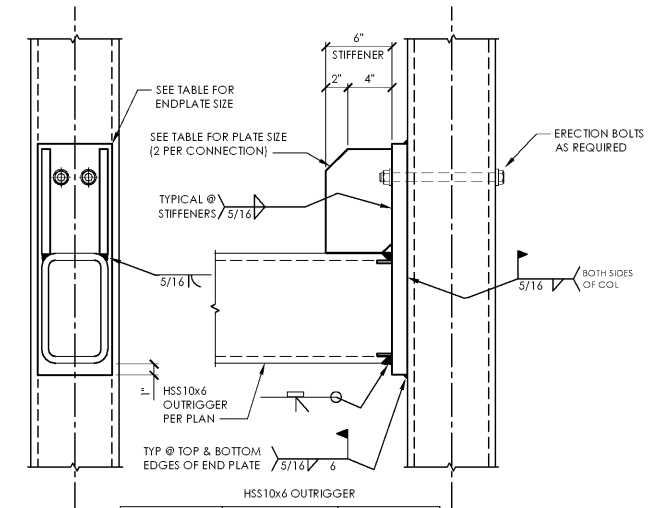


A2 Braced Bay Elevation & Details
SCALE: 1-1/2" = 1'-0"



B1 Connection Detail For HSS 10x8 Canopy Outrigger
SCALE: 1-1/2" = 1'-0"

OUTRIGGER SIZE	ENDPLATE DIMENSIONS	STIFFENER DIMENSIONS
HSS 10 x 8 x 5/8	1 3/8" x 10" x 1'-9"	1 1/8" x 6" x 9 1/2"
HSS 10 x 8 x 1/2	1 1/4" x 10" x 1'-7"	7/8" x 6" x 7 1/2"
HSS 10 x 8 x 3/8	1 1/4" x 10" x 1'-6"	3/4" x 6" x 6 1/2"
HSS 10 x 8 x 5/16	1 1/4" x 10" x 1'-5"	5/8" x 6" x 5 1/2"



A1 Connection Detail For HSS 10x6 Canopy Outrigger
SCALE: 1-1/2" = 1'-0"

OUTRIGGER SIZE	ENDPLATE DIMENSIONS	STIFFENER DIMENSIONS
HSS 10 x 6 x 5/8	1 1/2" x 6 3/4" x 2'-0"	1" x 6" x 1'-0 1/2"
HSS 10 x 6 x 1/2	1 1/2" x 6 3/4" x 1'-9"	7/8" x 6" x 9 1/2"
HSS 10 x 6 x 3/8	1 5/8" x 6 3/4" x 1'-7"	5/8" x 6" x 7 1/2"
HSS 10 x 6 x 5/16	1 5/8" x 6 3/4" x 1'-7"	1/2" x 6" x 7 1/2"

Issued:	Date:
A Permit Set	12/05/17
B Client Review Set	05/03/18
C Bid Set	05/11/18
D	

Revisions:	Date:
1	
2	
3	
4	
5	
6	
7	
8	
9	

DO NOT SCALE PLANS
Copying, Printing, Software and other processes required to produce these prints on stretch or shrink the actual paper or layout. Therefore, scaling of this drawing may be inaccurate. Contact us consultants with any need for additional dimensions or clarifications.

ms consultants, inc.
engineers, architects, planners
920 Main Campus Drive
Suite 430
Raleigh, NC 27606-5213
phone 919.772.5565
fax 919.779.2308

DRAWN BY: CLS
REVIEWED BY: CEM

Seal

ALDI Inc.
1985 Old Union Church Road
Salisbury, NC 28146
(704) 642-0022
(704) 642-0078 fax

ALDI Inc. Store #: 65
Charlotte, NC
6113 Idlewild Road
Charlotte, NC 28212
Mecklenburg County
Project Name & Location:

Steel Framing Section & Details
Drawing Name:
Prototype Rls. 09/07/17 Project No. 40452-13
Type: LHSD-V8
S-402
Scale: As Noted Drawing No.