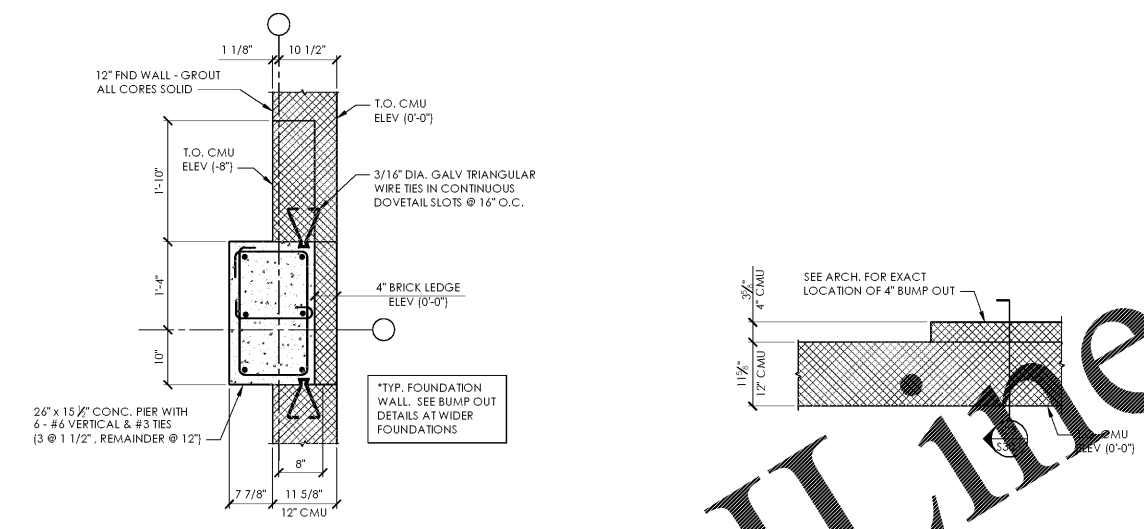


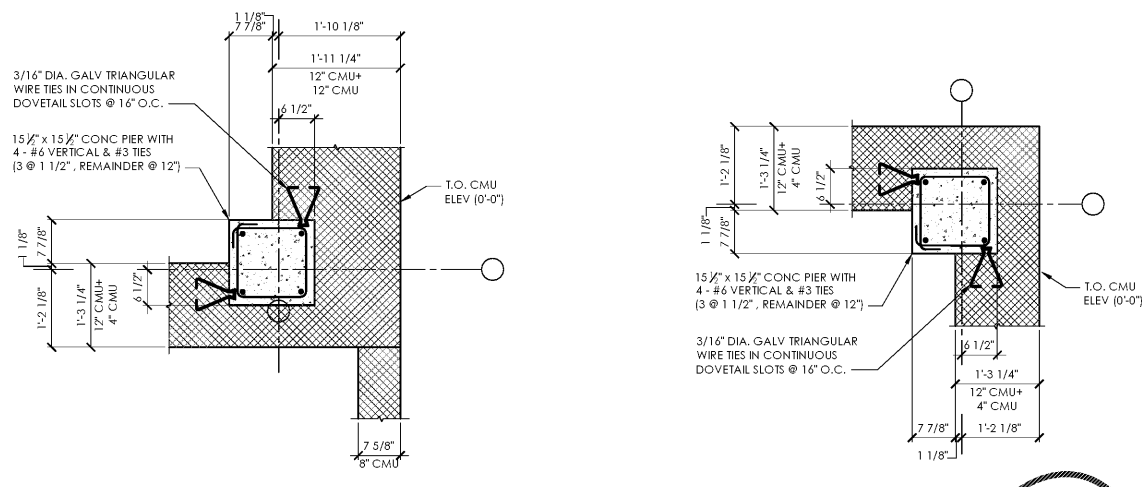
Issued:	Date:
A Permit Set	12/05/17
B Client Review Set	05/03/18
C Bid Set	05/11/18
D	

Revisions:	Date:
1	
2	
3	
4	
5	
6	
7	
8	
9	



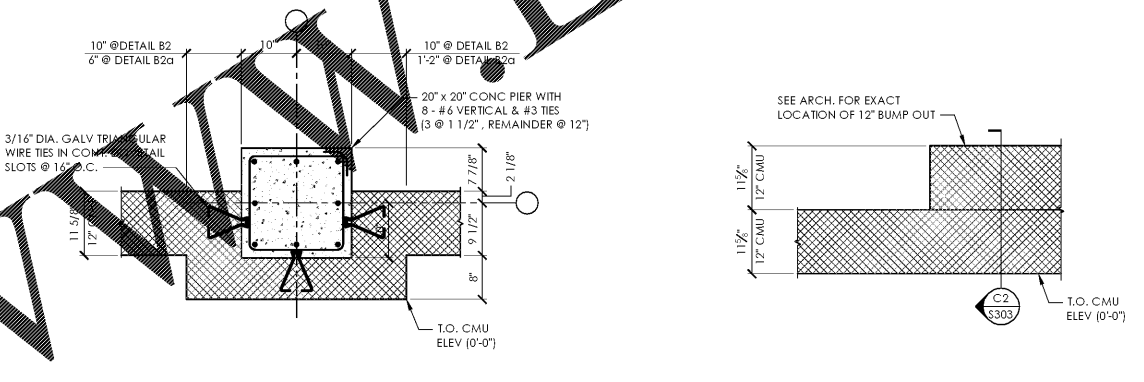
B3 Pier Detail
SCALE: 3/4" = 1'-0"

A3 4" Bump Out Detail
SCALE: 3/4" = 1'-0"



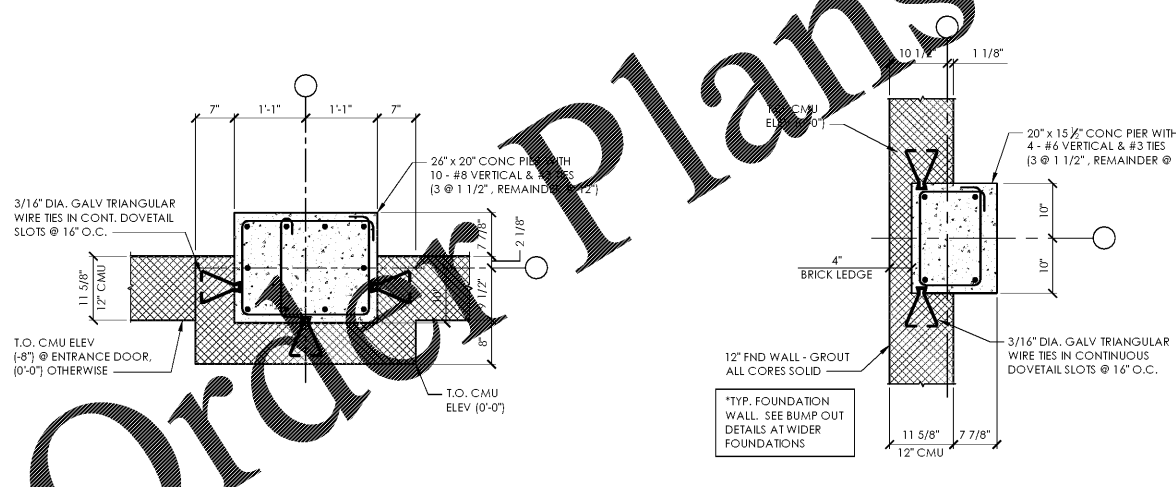
D2 Pier Detail
SCALE: 3/4" = 1'-0"

C2 Pier Detail
SCALE: 3/4" = 1'-0"



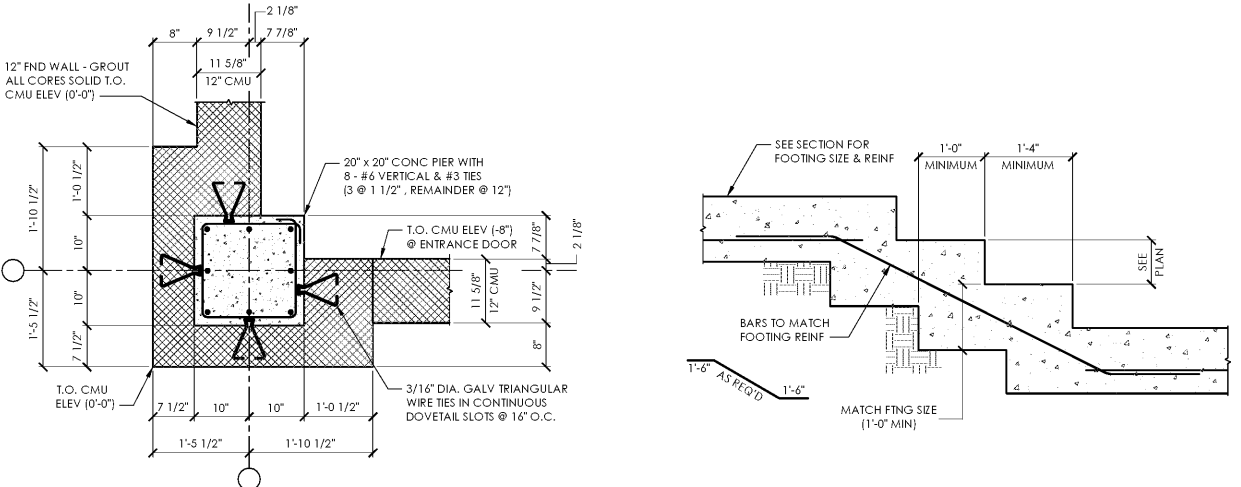
B2 B2a Pier Detail
SCALE: 3/4" = 1'-0"

A2 12" Bump Out Detail
SCALE: 3/4" = 1'-0"



D1 Pier Detail
SCALE: 3/4" = 1'-0"

C1 Pier Detail
SCALE: 3/4" = 1'-0"



B1 Pier Detail
SCALE: 3/4" = 1'-0"

A1 Typical Stepped Footing Detail
NO SCALE

DO NOT SCALE PLANS
Copying, Printing, Software and other processes required to produce these prints on stretch or shrink the actual paper or layout. Therefore, scaling of this drawing may be inaccurate. Contact us consultants with any need for additional dimensions or clarifications.

ms consultants, inc.
engineers, architects, planners
920 Main Campus Drive
Suite 430
Raleigh, NC 27606-5213
phone 919.772.5565
fax 919.779.2308

DRAWN BY: CLS
REVIEWED BY: CEM

Seal

ALDI Inc.
1985 Old Union Church Road
Salisbury, NC 28146
(704) 642-0023
(704) 642-0078 fax

ALDI Inc. Store #: 65
Charlotte, NC
6113 Idlewild Road
Charlotte, NC 28212
Mecklenburg County
Project Name & Location:

Foundation Details	
Drawing Name:	
Prototype Rls. 09/07/17	Project No. 40452-13
Type: LHSD-V8	
	S-302
Scale: As Noted	Drawing No.

PLOTTED: 5/11/2018 8:53 AM

Order Plans @

WWW.LDOnline.com

D

C

B

A