

NOTES:

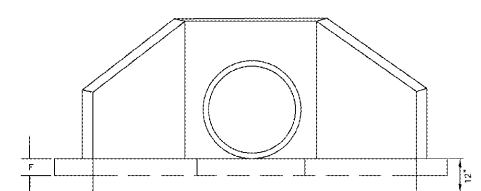
1. PRIOR APPROVAL FROM THE CITY ENGINEER IS REQUIRED.
2. THIS STRUCTURE IS TO ONLY BE USED ON CITY MAINTAINED STREETS AND NOT ON NCDOT STREETS WITHOUT THEIR PERMISSION.
3. SEE NCDOT DETAIL 840.01 FOR MAXIMUM PIPE SIZE ALLOWABLE.

CITY OF CHARLOTTE
 LAND DEVELOPMENT STANDARDS
 INCLUDES CHARLOTTE ETJ

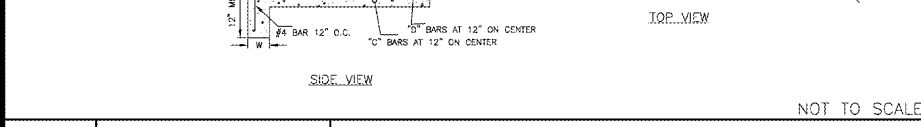
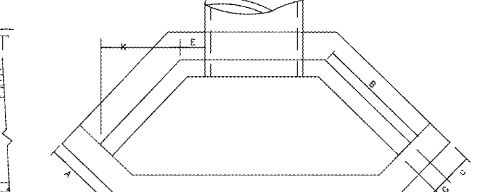
OFFSET CATCH BASIN

STD. NO. REV.
 20.34 113

CONCRETE PIPE		DIMENSIONS										
WALL THK.	OUT. DIA.	IN. DIA.	H	A	B	C	E	F	G	W	K	M
2	17 1/2	15	27	24	8	7	12	4	4	8	17	12
2	1/2	23	19	31	20	24	8	5	4	4	8	17
3	30	24	38	20	30	8	12	4	4	8	21	16
3	1/2	37	30	45	20	44	12	15	6	8	21	16
4	4	44	36	53	44	12	18	15	8	8	21	16
4	1/2	51	42	59	33	48	12	21	6	8	24	26
5	5	58	48	68	33	48	12	24	6	8	24	26
5	1/2	65	54	73	32	54	12	27	6	8	27	33
6	6	72	60	80	38	58	12	30	8	12	24	36
6	1/2	79	66	87	38	72	12	33	8	12	24	40
7	7	86	72	84	38	78	12	36	8	12	24	45



REINFORCING	
NO.	SIZE
15	4
18	4
24	4
30	4
38	4
42	4
48	4
54	4
60	4
66	4
72	4



CITY OF CHARLOTTE
 LAND DEVELOPMENT STANDARDS
 INCLUDES CHARLOTTE ETJ

CONCRETE WINGWALL WITH SPLASH PAD

STD. NO. REV.
 20.17A 8

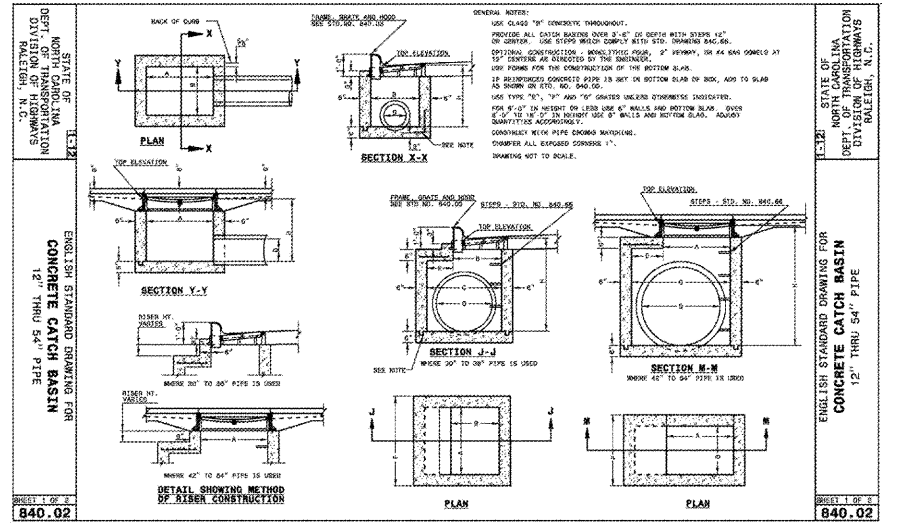
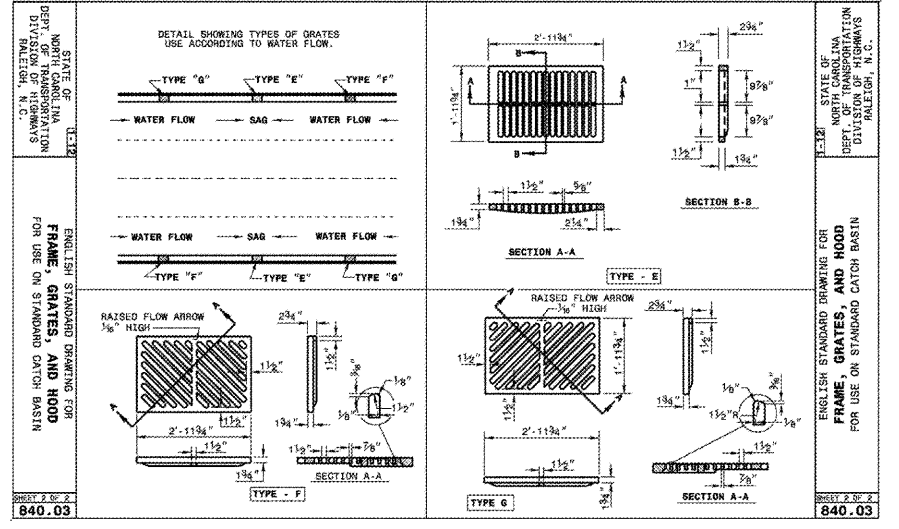
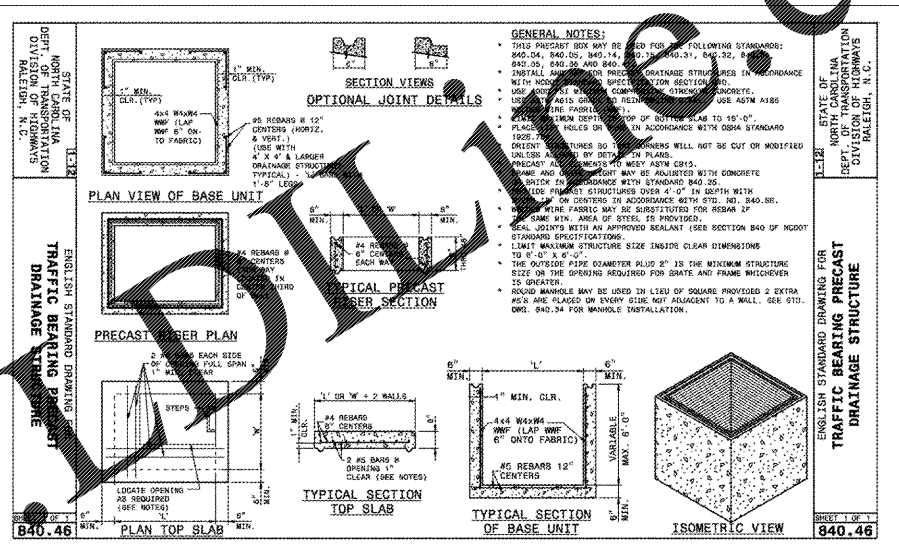
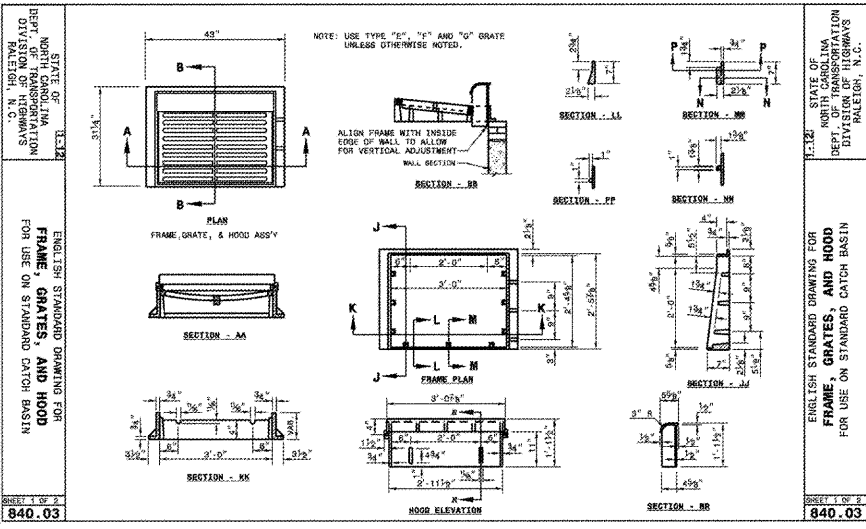
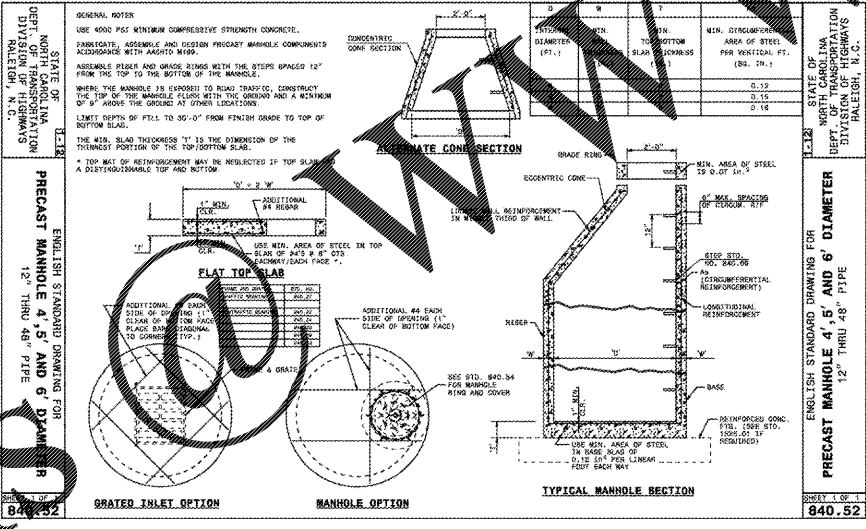
GENERAL NOTES:

1. ALL CORNERS TO BE CHAMFERED 1" IF CONCRETE.
2. THE CONTRACTOR WILL BE REQUIRED TO PLACE #6 BARS "Y" IN THE TOP OF ALL ENDWALL FOR PIPE CULVERTS 42" AND LARGER WITH A MINIMUM 3" COVER AND A LENGTH OF 6" LESS THAN ENDWALL.
3. FORMS ARE TO BE USED FOR THE CONSTRUCTION OF THE BOTTOM SLAB.
4. WALL THICKNESS (T) SHALL BE INTERPRETED TO MEAN THE THICKNESS ACCEPTABLE FOR USE ONLY IN COMPUTING ENDWALL QUANTITIES.
5. IF CONTRACTOR DESIRES TO PLACE CONSTRUCTION JOINT AT BOTTOM OF PIPE, JOINTS BASED SEPARATELY, THE TOP OF BASE SHALL BE LEFT ROUGH.
6. ALL CONCRETE SHALL BE 3600 P.S.I COMPRESSIVE STRENGTH.

CITY OF CHARLOTTE
 LAND DEVELOPMENT STANDARDS
 INCLUDES CHARLOTTE ETJ

CONCRETE WINGWALL WITH SPLASH PAD

STD. NO. REV.
 20.17B



BOHLER ENGINEERING & CONSTRUCTION, INC.
 ARCHITECTURE
 LAND SURVEYING
 PROJECT MANAGEMENT
 LAND DEVELOPMENT SERVICES

1927 S. TRYON STREET, SUITE 310
 CHARLOTTE, NC 28203
 Phone: (980) 272-3400
 Fax: (980) 272-3401
 NC@BohlerEng.com

REVISIONS

REV.	DATE	COMMENT	BY
1	10/11/17	PER CITY OF CLT & NCDOT COMMENTS	SRF
2	11/28/17	PER CITY OF CLT & NCDOT COMMENTS	SRF

811

KNOW WHAT'S BELOW
 ALWAYS CALL 811
 BEFORE YOU DIG

It's fast. It's free. It's the law.

PROJECT No. NCC 162 120
 DRAWN BY: SRF/JLS
 CHECKED BY: BWR
 DATE: 8/9/17
 SCALE: AS NOTED
 CAD ID: SD

CONNECTION POINT

FOR

EASTSIDE CONNECTIONS JV, LLC

LOCATION OF SITE
 MONROE RD & LONG AVE
 CHARLOTTE, NC 28212
 MECKLENBURG COUNTY

BOHLER ENGINEERING & CONSTRUCTION, INC.
 1927 S. TRYON STREET, SUITE 310
 CHARLOTTE, NC 28203
 Phone: (980) 272-3400
 Fax: (980) 272-3401
 NC@BohlerEng.com

REGISTERED PROFESSIONAL ENGINEER
 No. 31128
 MOR 11/28/17

SHEET TITLE:
STORMWATER DETAILS

SHEET NUMBER:
C-11.0