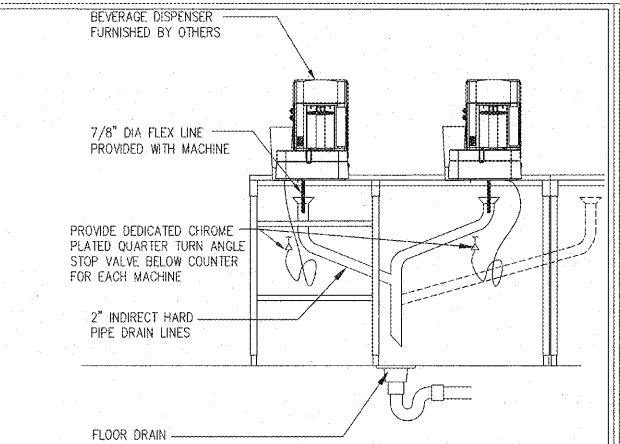


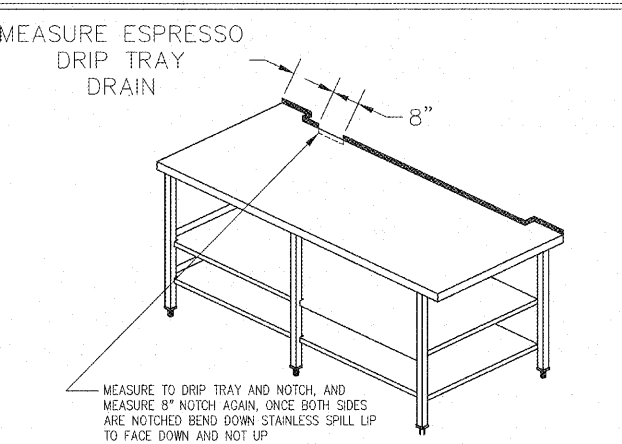
1 BEVERAGE W/ FLOOR DRAIN PIPING SCHEMATIC @ ISLAND OASIS (IO)

N.T.S.



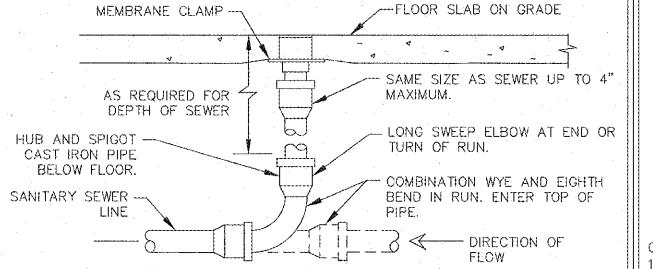
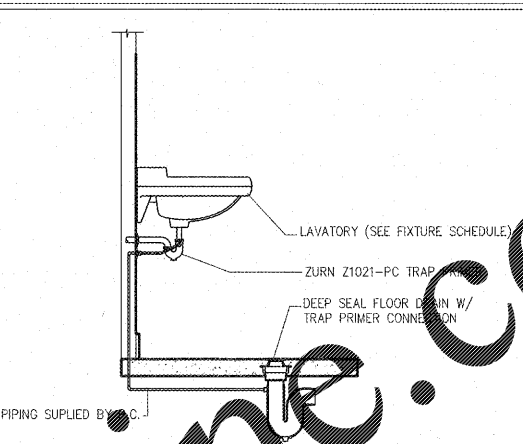
2 TURN DOWN AT ESPRESSO UNIT

N.T.S.



3 GRAY WATER TRAP PRIMER

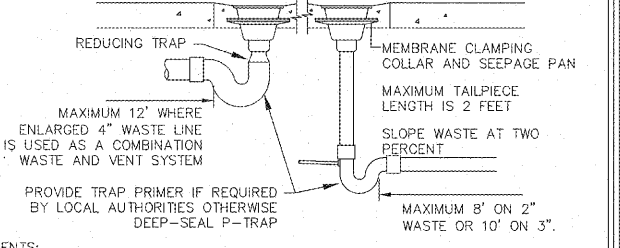
N.T.S.



COMMENTS:  
1. LOCATE AT BUILDING EXIT, AT ENDS OF RUNS, AT TURNS OF PIPE GREATER THAN 45 DEGREES, AT 50' INTERVALS ON STRAIGHT RUNS, AND/OR WHERE SHOWN ON PLANS. PROVIDE BACKFILL PER ARCHITECTURAL SPECIFICATIONS. LOCATE CLEANOUTS WHERE THERE IS 18" CLEAR AROUND. CONSULT LOCAL CODES FOR OTHER FCO REQUIREMENTS.  
2. ROUND SECURED GASKETED NICKEL BRONZE ADJUSTABLE TOP WITH "OO" CAST IN COVER. PROVIDE CLEANOUT TOP WITH VARIATIONS SUITABLE FOR FLOOR COVERING (CARPET MARKER, RECESSED FOR TILE, SCORATED FOR UNFINISHED FLOORS). PROVIDE GASKETED PLASTIC PLUG IN CAST IRON BODY. USE TEFLON JOINT COMPOUND ON PLUG THREADS. CLEAN THE TOP OF EXPOSED FCO AFTER INSTALLATION.

4 FLOOR CLEANOUT DETAIL

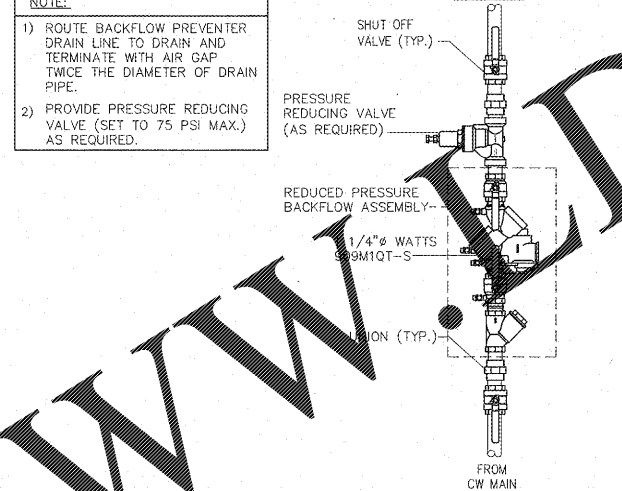
N.T.S.



COMMENTS:  
1. LOCATE FLOOR DRAIN/SINK WHERE SHOWN ON DIMENSIONED FLOOR PLAN. IF SITUATION IS FLOOR SLAB ON GRADE, SET DRAIN BODY IN PLACE, PROVIDE BACKFILL, AND POUR AROUND IT. RECESS TOP OF FLOOR DRAINS 1/2" BELOW FLOOR DATUM AND SLOPE FLOOR TO IT. DO NOT RECESS FLOOR SINKS.  
2. OTHER VENTING METHODS MAY BE USED, IF APPROVED BY LOCAL CODE AND/OR LOCAL AUTHORITIES.

5 FLOOR DRAIN AND SINK DETAIL

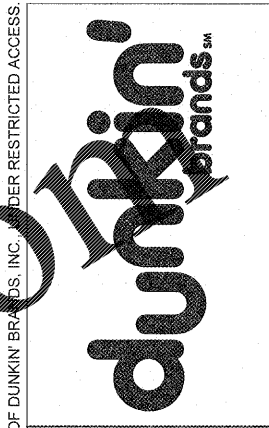
N.T.S.



6 VERTICAL BACKFLOW PREVENTER DETAIL

N.T.S.

Order Plans @ WWW.DLINE.COM



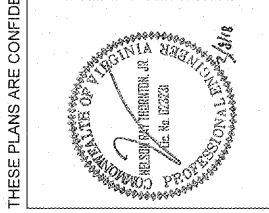
PROJECT NO.: 17229

**NRD** national restaurant designers

ARCHITECTS & ENGINEERS

3005 Carrington Mill Blvd., Morrisville, NC 27560  
ph: 919 544 7251 fax: 919 544 9399

A Division of LMNT Associates



THESE PLANS ARE CONFIDENTIAL PROPERTY OF DUNKIN' BRANDS, INC. UNDER RESTRICTED ACCESS.

NO	DESCRIPTION	DATE	SCALE	DRAWN	CKD	APPD

3-18-18

DD FRESH BREW 1.0  
DUNKIN DESIGN GUIDELINES

PLUMBING  
DETAILS

PC NUMBER

P-4.2

NOTE: DRAWINGS ARE NOT TO SCALE IF SHEET IS PLOTTED ON 11" x 17"