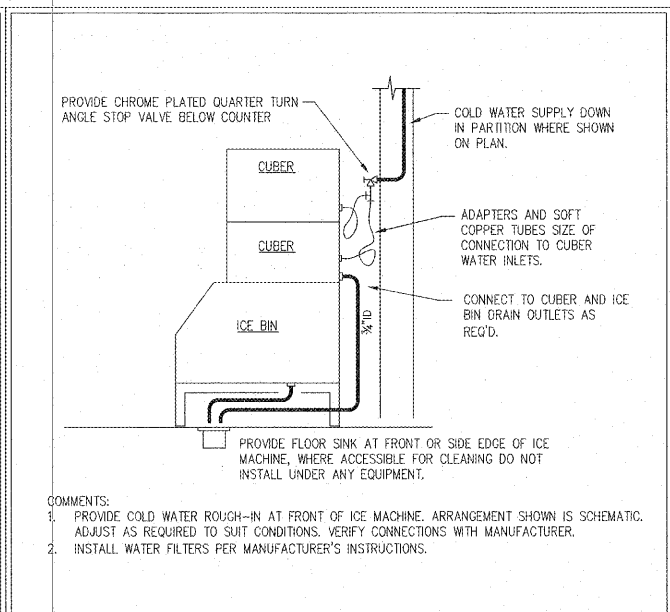


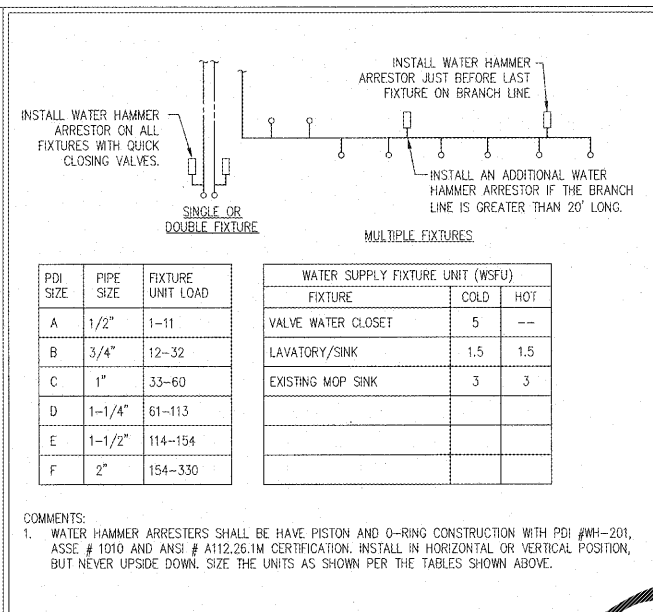
1 BEVERAGE WATER PIPING SCHEMATIC

N.T.S.



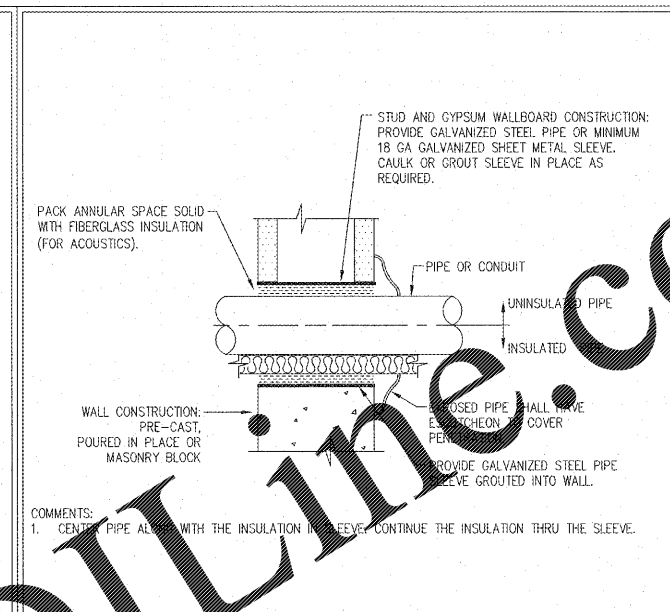
2 ICE MACHINE PIPING SCHEMATIC

N.T.S.



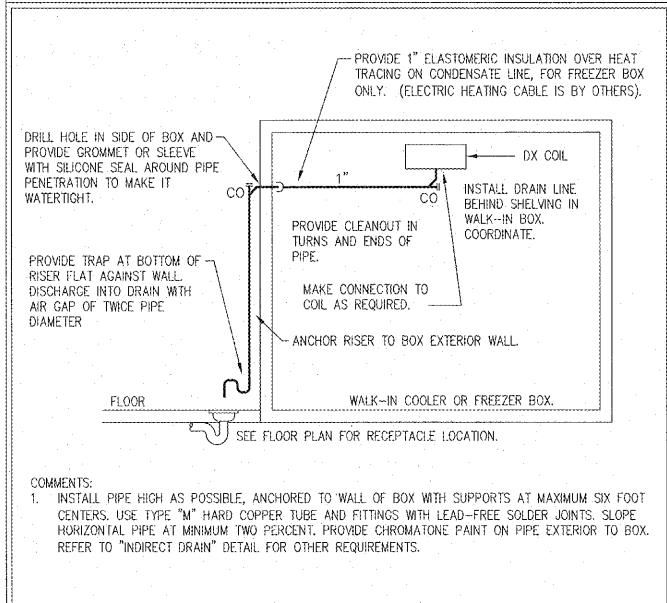
3 WATER HAMMER ARRESTER DETAIL

N.T.S.



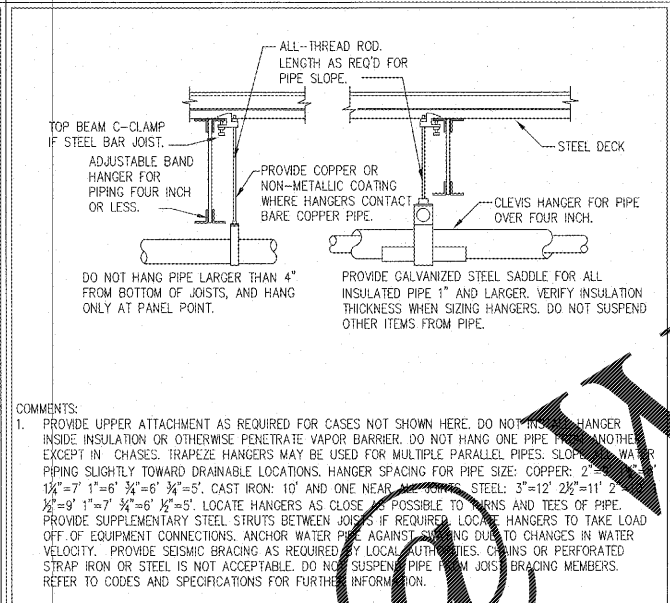
PIPE PENETRATION (NON-RATED WALL)

N.T.S.



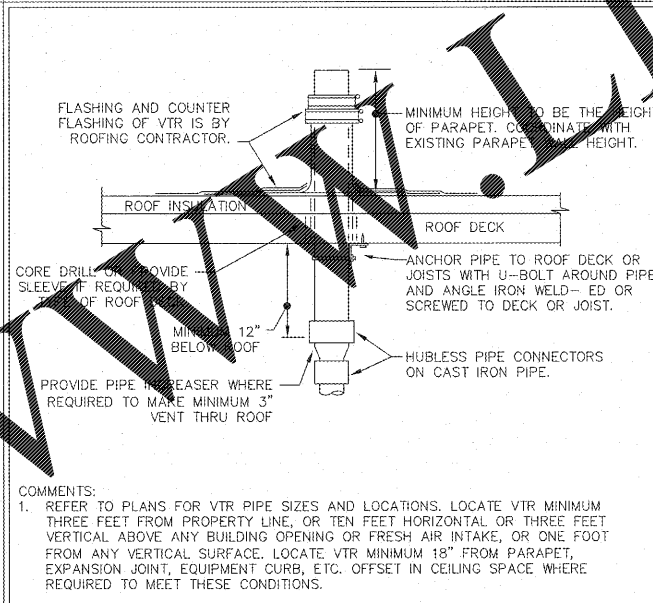
5 CONDENSATE DRAIN (WALK-IN BOX)

N.T.S.



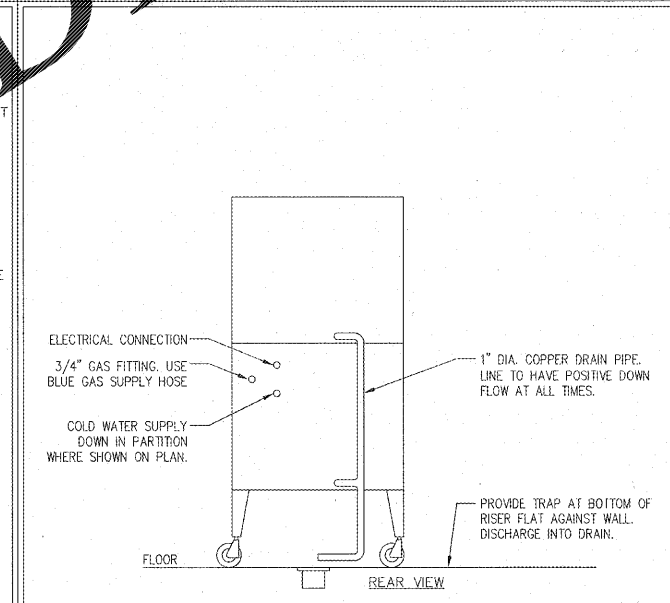
6 PIPE HANGER DETAIL

N.T.S.



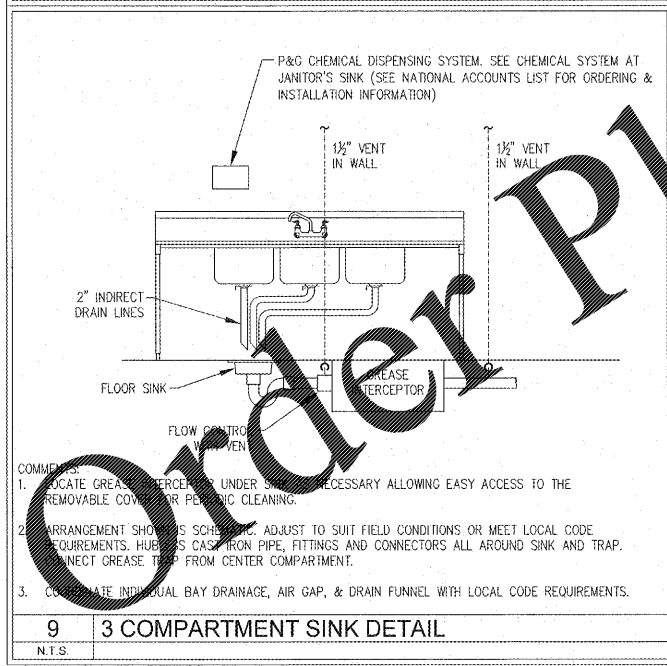
7 VENT THRU ROOF (VTR) DETAIL

N.T.S.



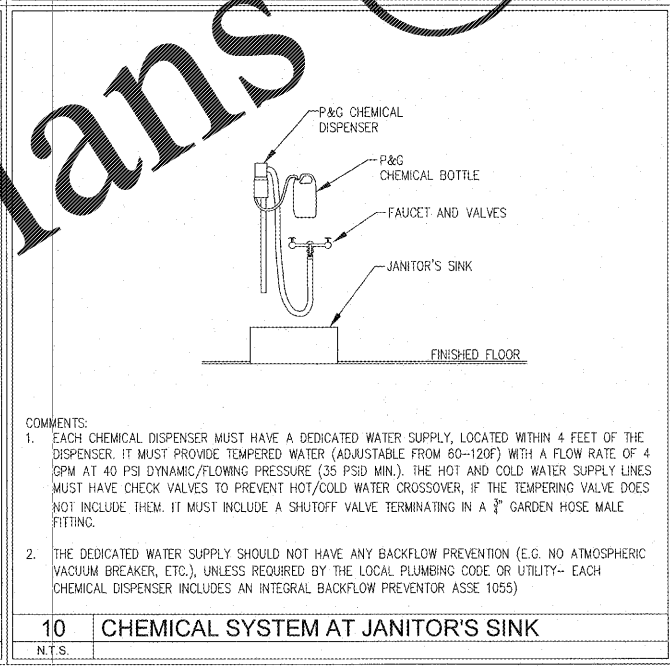
8 BLODGETT OVEN DETAIL

N.T.S.



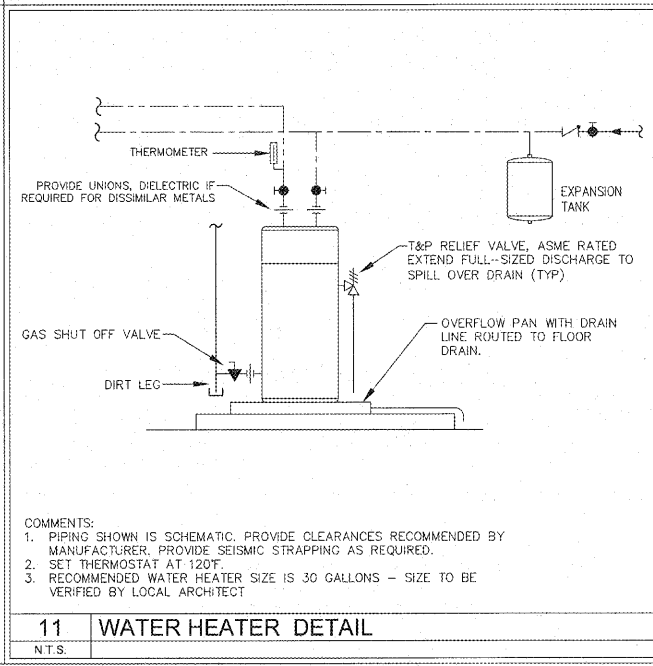
9 3 COMPARTMENT SINK DETAIL

N.T.S.



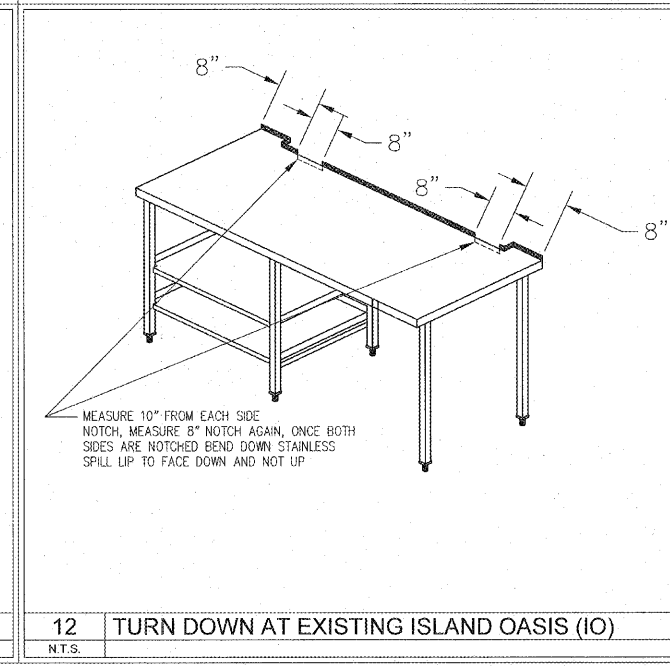
10 CHEMICAL SYSTEM AT JANITOR'S SINK

N.T.S.



11 WATER HEATER DETAIL

N.T.S.



12 TURN DOWN AT EXISTING ISLAND OASIS (IO)

N.T.S.

THESE PLANS ARE CONFIDENTIAL PROPERTY OF DUNKIN' BRANDS, INC. NO UNAUTHORIZED ACCESS.

**Dunkin' Brands**

PROJECT NO.: 17229

**NRD** national restaurant designers ARCHITECTS & ENGINEERS

3005 Carrington Mill Blvd., Morrisville, NC 27560  
ph: 919 544 7251 fax: 919 544 9399

A Division of LMNT Associates

STATE OF VIRGINIA REGISTERED PROFESSIONAL ARCHITECT

NO	DESCRIPTION	DATE	SCALE	DRAWN	CKD	APPD
3-18-18						
SET REVISIONS						
SHEET REVISIONS						

DD FRESH BREW 1.0 DUNKIN' DESIGN GUIDELINES

PLUMBING DETAILS

PC NUMBER

**P-4.1**