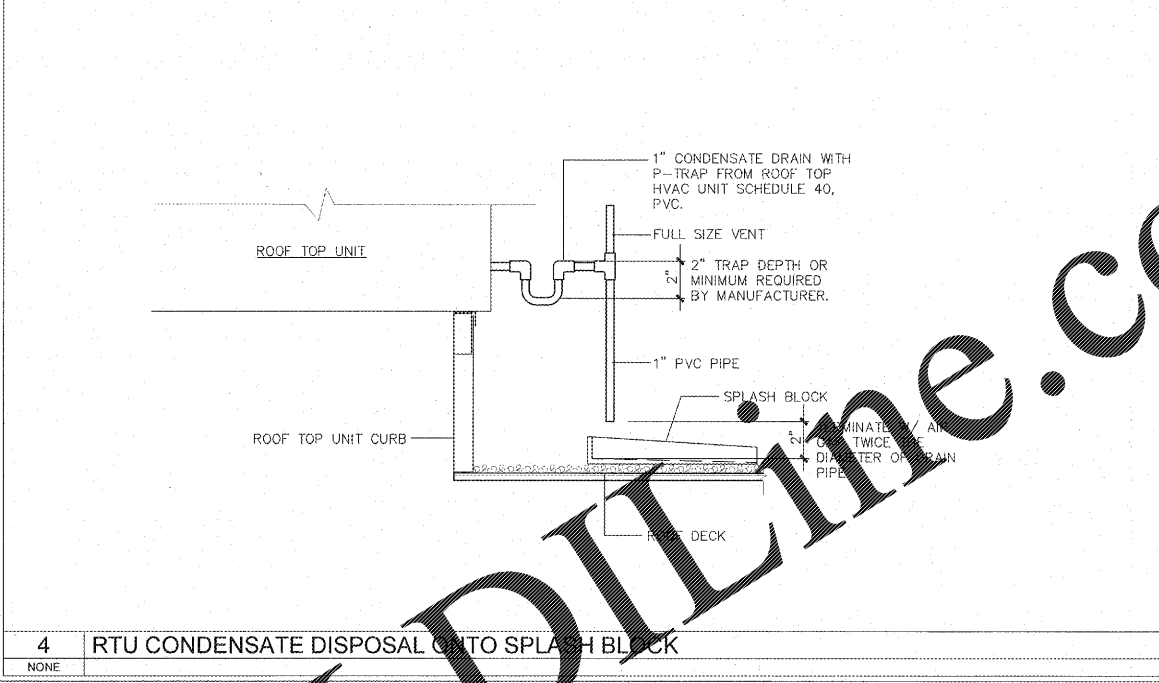


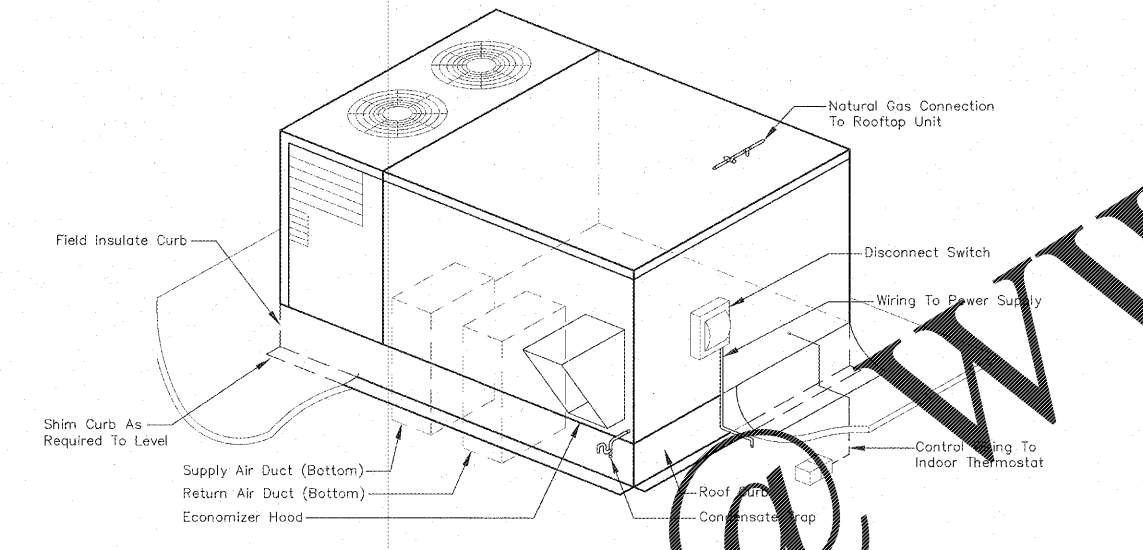
COMMENTS:

1. REFER TO THE MECHANICAL EQUIPMENT SCHEDULE FOR COMPONENT AND DEVICE SPECIFICATIONS.
2. SUPPORTS FOR FLEX DUCTWORK SHALL BE SPACED AT 4'-0" MAX. FLEX DUCT SHALL SAG NO MORE THAN 1/2" PER FOOT OF RUN.
3. ALL DUCT INSULATION SHALL HAVE A MINIMUM INSULATING VALUE OF R-6.
4. APPLY MASTIC DUCT SEALER AT EACH JOINT OR SEAM OR CONNECTION.
5. APPLY MASTIC TO DIFFUSER COLLAR AND SLIDE FLEX OVER WHILE STILL WET, BAND CLAMP AND TAPE.
6. SUPPORT DUCTWORK WITH 1 1/2" WIDE 22 GAUGE STEEL STRAPS FIRMLY ATTACHED TO THE BUILDING STRUCTURE. SPACING SHALL BE MAXIMUM 10'-0" FOR RIGID DUCTWORK, AND MINIMUM 4'-0" FOR FLEXIBLE DUCTWORK. 12 GAUGE WIRE MAY BE SUBSTITUTED FOR STRAPS IF 1 1/2" WIDE 22 GAUGE STEEL SADDLES ARE USED TO FULLY ENIRCLE DUCT. REFER TO THE HVAC DUCT CONSTRUCTION STANDARDS PUBLISHED BY SMACNA FOR ADDITIONAL DETAILS. FULLY COMPLY WITH MECHANICAL CODES.

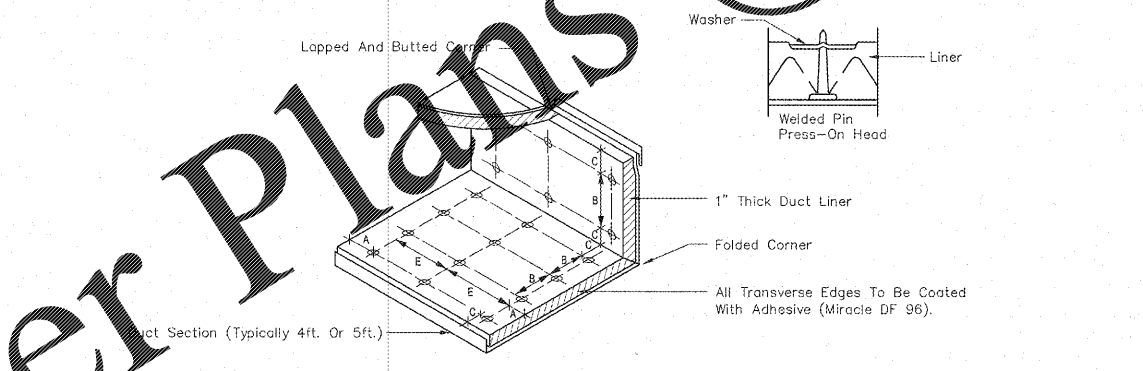
1 DIFFUSER / FLEX DUCT CONNECTION DETAIL
NONE



4 RTU CONDENSATE DISPOSAL ONTO SPLASH BLOCK
NONE



2 TYPICAL ROOF TOP UNIT
NONE



COMMENTS:

1. LINER SHALL EXTEND A MINIMUM OF 15' FROM ALL SUPPLY RETURN AND EXHAUST DUCTWORK CONNECTED TO ANY FAN DRIVEN EQUIPMENT.
2. TOILET EXHAUST SYSTEM DUCTWORK DOES NOT REQUIRE LINING.
3. MAXIMUM SPACING FOR FASTENERS. ACTUAL INTERVALS ARE APPROXIMATE.
4. LINER ADHERED TO THE DUCT WITH 90% MINIMUM AREA COVERAGE OF ADHESIVE.
5. THE VELOCITY RATED SIDE OF LINER MUST FACE THE AIR FLOW.

Velocity	Dimensions			
	A	B	C	E
0-2500 FPM	3"	12"	4"	18"
2501-6000 FPM	3"	6"	4"	18"

3 DUCT LINER INSTALLATION DETAIL
NONE

THESE PLANS ARE CONFIDENTIAL PROPERTY OF DUNKIN' BRANDS, INC. UNDER RESTRICTED ACCESS.

Dunkin' Brands

PROJECT NO: 17229

NRD national restaurant designers
ARCHITECTS & ENGINEERS

3005 Corrington Mill Blvd., Morrisville, NC 27560
ph: 919 544 7251 fax: 919 544 9399
A Division of LMHT Associates

REGISTERED PROFESSIONAL ENGINEER
STATE OF NORTH CAROLINA
No. 12345
DATE: 12/15/18

NO	DESCRIPTION	DATE	SCALE	DRAWN	CKD	APPD	3-18-18
							SET REVISIONS

DD FRESH BREW 1.0
DUNKIN' DESIGN GUIDELINES

MECHANICAL
DETAILS

PC NUMBER

M-2.1