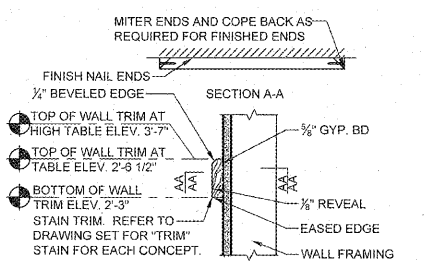
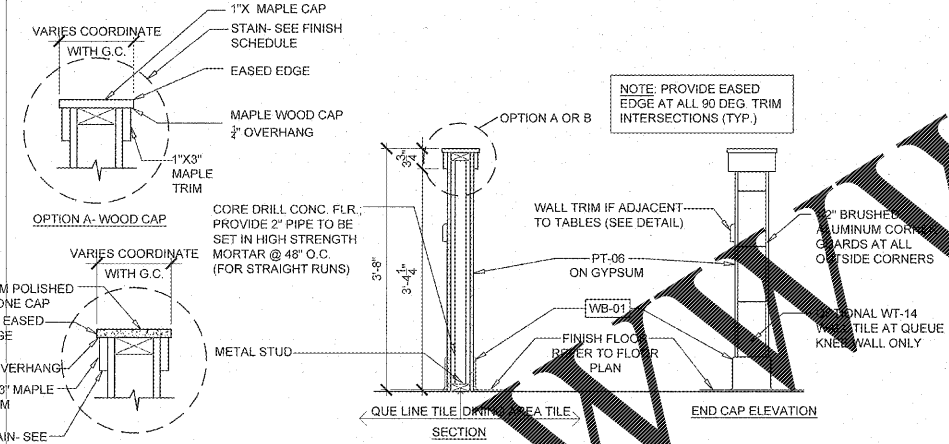


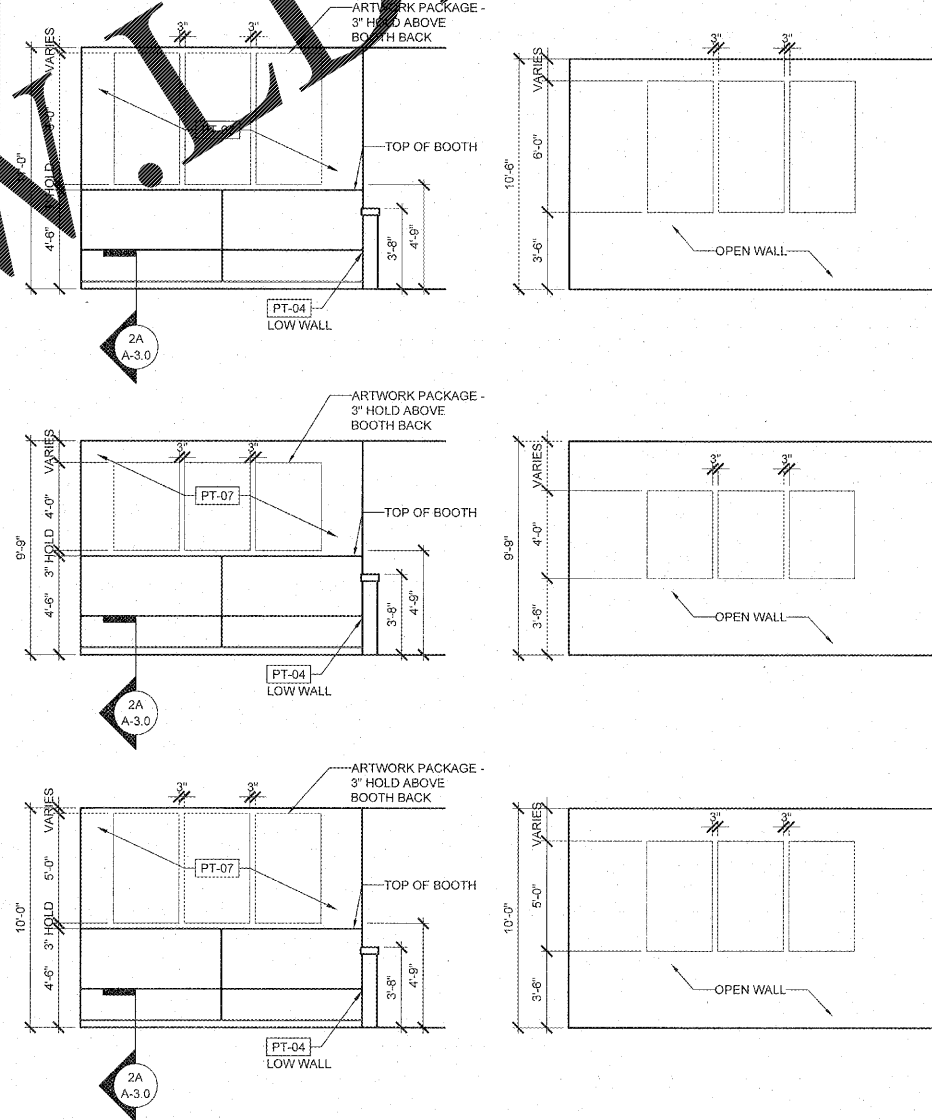
1 CORE DRILL TABLE DETAIL
N.T.S. NOTE



3 WALL TRIM
1-1/2" = 1'-0" NOTE



6 SECTION HALF WALL DETAIL
3/4" = 1'-0" NOTE



7 ARTWORK
1/4" = 1'-0" NOTE

- NOTES:
- ARTWORK SHOULD ALWAYS BE PLACED 3'-6" FROM FLOOR TO BOTTOM OF ARTWORK ON OPEN WALLS
 - ARTWORK TO BE INSTALLED WITH 3" SPACING BETWEEN PANELS
 - ARTWORK SHOULD ALWAYS BE PLACED 3" FROM TOP OF BOOTH
 - DEFAULT HEIGHT FOR ARTWORK IS 5'-0"
 - USE 4' HIGH ARTWORK FOR CEILING HEIGHTS BELOW 9'-0"
 - USE 6' HIGH ARTWORK FOR CEILING HEIGHTS ABOVE 10'-6"
 - STORES THAT CANNOT ACCOMMODATE THIS MINIMUM WILL NOT HAVE ARTWORK

5 NOT USED
1" = 1'-0" NOTE

8 NOT USED
N/A NOTE

9 NOT USED
N/A NOTE

Order Plans @

WWW.LDLine.com

THESE PLANS ARE CONFIDENTIAL PROPERTY OF DUNKIN' BRANDS, INC. UNDER RESTRICTED ACCESS

Dunkin' Brands

PROJECT NO.: 17229

NRD national restaurant designers
ARCHITECTS & ENGINEERS

3005 Corrington Mill Blvd., Morrisville, NC 27560
ph: 919 544 7251 fax: 919 544 8399
A Division of LMNT Associates

CONTRACTOR OF RECORD
Dunkin' Brands, Inc. No. 009911

NO	DESCRIPTION	DATE	SCALE	DRAWN	CKD	TD	DATE
	SET REVISIONS						3-18-18
	SHEET REVISIONS						

DD FRESH BREW 1.0
DUNKIN' DESIGN GUIDELINES
INTERIOR DETAILS
PC NUMBER

A-9.0