

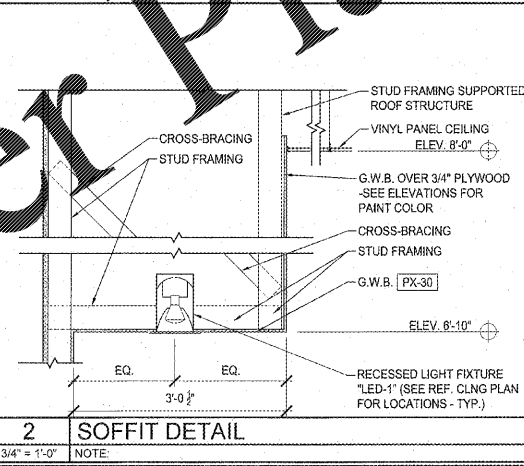
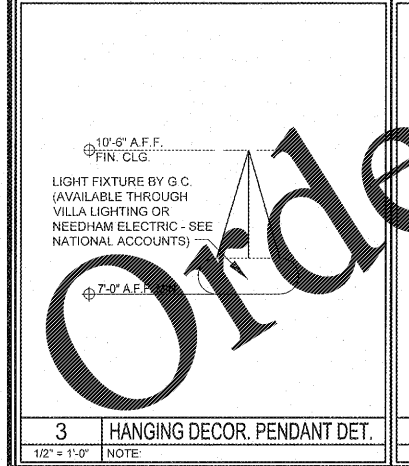
- PLAN NOTES:**
- GYPSUM WALL BOARD CEILING.
 - HOOD FOR JUST BAKED OVEN.
 - FLUE FOR HOT WATER HEATER.
 - EXHAUST HOOD WITH ROOF FAN REQUIRED PER DBI STANDARDS.
 - PICK UP SIGN SUSPENDED FROM CEILING.
 - DIGITAL MENU BOARDS TO BE ALIGNED WITH POS STATION AT FRONT LINE- MAINTAIN 2" CLEARANCE BOTH ENDS OF SYSTEM FOR UNIT VENTILATION.
 - NOT USED
 - NOT USED
 - METAL CEILING TILES
 - DIGITAL MENU BOARD (DMB) MINIMUM SOFFIT SIZE:
 - 4-49" (DEFAULT SIZE) DIAGONAL BOARDS IS 176" L (14'-8") AND 26 1/2" H (2'-2 1/2")
 - 4-43" DIAGONAL BOARDS 155" L (12'-1") AND 23 3/4" H (1'-11 3/4")
 - 4-32" DIAGONAL BOARDS IS 118" L (9'-10") AND 19" H (1'-7")
 - ACCESS PANEL - CENTER ON POS AT FRONT LINE
 - WIFI ACCESS POINT (WIFI AP) - CENTER ABOVE POS AT FRONT LINE

- FOOTCANDLE NOTES:**
- MINIMUM LIGHTING LEVEL (FOOTCANDLES IN FRONT OF HOUSE (FOH)) = 35FC MIN.
 - MINIMUM LIGHTING LEVEL (FOOTCANDLES IN BACK OF HOUSE (BOH)) = 50FC MIN.
 - MINIMUM LIGHTING LEVEL (FOOTCANDLES IN TOILET ROOMS) = 35FC MIN.

LIGHTING SCHEDULE

| CODE | DESCRIPTION | MANUFACTURER | PRODUCT |
|-----------------|------------------------------------------------------|--------------------------------------------|--------------------------------------------------|
| INTERIOR | | | |
| A1 | 2X4 FLAT ACRYLIC LENS W/ 3 T8 LAMPS | MET | 2GR8-332A-UNV-AD-IOP3P325C-U |
| A1-EM | 2X4 FLAT ACRYLIC LENS W/ 3 T8 LAMPS (EMERG. BALLAST) | MET | 2GR8-332A-UNV-ELA-AD-IOP3P325C-U |
| A1-F | FIELD INSTALLED FLANGE KIT (DRYWALL CLG) | MET | FCTKA-24W-U |
| A1P | 2X4 18 CELL PARABOLIC | MET | 2EP3GK-3325361-UNV-AD-IOP3P325C-U |
| A1PO | 2X4 18 CELL PARABOLIC (OVERLAY) | MET | 2EP3GK-3325361-UD30-UNV-AD-IOP3P325C-U |
| A2 | 2X2 9 CELL PARABOLIC | MET | 2EP3GX2J6-533H-UNV |
| A2PO | 2X2 9 CELL PARABOLIC (OVERLAY) | MET | 2EP3GX2J6-533H-UNV-OL |
| BL | BATHROOM WALL SCONCE | RECAST | F54M96 |
| C | TRACK HEAD - OPEN STYLE | HALO | L8R8M8 W/ 10W LED LAMP |
| C1 | TRACK HEAD - (JAZZ BREW ONLY) | LIGHTOLIER | PH-220R30 |
| C4 | MENUBOARD LIGHT TH50- 4'0" | ELLIPTIPAR | F144-V48S22-120-LXX W/LENS (COMBO ONLY) |
| L | INCAND. DOWNLIGHT W/ WHITE TRIM | 9875 | |
| K | A2W COMPACT FLUOR. DOWNLIGHT W/ LENS | HALO | PD7/V142E/VLIC |
| HP | LOW-BAY 12" RAW ALUM. FINISH | ATLANTIC | SBS12-242E-1/2-PL-2PL-HSHG |
| LED-1 | LED DOWN LIGHT W/ RC-6 HOUSING | CREE | VL6-1027120-SP1/VL6A-SP1 |
| LED-3 | LED 2X4 RECESSED FIXTURE | CREE | VL24-4035-SP1 |
| LED-4 | LED 2X2 RECESSED FIXTURE | CREE | VL22-3235-SP1 |
| LED-6 | LED 2X4 RECESSED FIXTURE (Backroom only) | Metalux | 2GR-LD1-48-UNV-L835-CD1-U |
| LED-7 | LED EXTERIOR STRIP LIGHT | SLOAN | 701912-C175 (48" LONG) |
| P1 | HANGING ORANGE PENDANT LIGHT | BOCK LIGHTING | POS-00201109-L/TC-4T213 (ORIGINAL BLEND) |
| P2 | HANGING DECORATIVE PENDANT | MODERN LIGHTING UNIVERSE/EUROFUSE LIGHTING | 23194-0 (CAPPUCCINO BLEND) |
| P3 | HANGING DECORATIVE PENDANT (18.5" DIA.) | BOCK LIGHTING | POS-DR18OPPP (DARK ROAST) |
| P4/4A | HANGING DECORATIVE PENDANT (6" DIA.) | BOCK LIGHTING | P14-57 (PROSTED OR AMBRR GLASS SHADE) |
| P5 | HANGING DECORATIVE PENDANT (20" DIA.) | CON-TECH | 17822 (JAZZ BREW- W/ DEC CLG COFFER) |
| P6 | HANGING DECORATIVE PENDANT (13.5" DIA.) | CON-TECH | 17374 (JAZZ BREW) |
| JB-24 | DECORATIVE CEILING ELEMENT | DGS (CUSTOM) | JAZZ BREW (24" DIAMETER) |
| JB-36 | DECORATIVE CEILING ELEMENT | DGS (CUSTOM) | JAZZ BREW (36" DIAMETER) |
| JB-48 | DECORATIVE CEILING ELEMENT | DGS (CUSTOM) | JAZZ BREW (48" DIAMETER) |
| OC | OPTIONAL WALL MOUNTED OCCUPANCY SENSOR - WHITE | WVS | WS-206-W |
| W-EBU | 2-HEAD BATTERY PACK | EXITRONIX | LE50R |
| X | LED EXIT W/ BATTERY | EXITRONIX | VEK-U-BP-WH |
| COMBO EX1 | COMBO LED EXIT / (2) HEAD EBU | EXITRONIX | VEK-U-BP-WH-EL90-R |
| EXTERIOR | | | |
| CJ | EXTERIOR AWNING LIGHT | MERCURY | M4000-1-32-OCT-ELB-UN1 |
| G | EYELID WALL PACK - 10W LED | COOPER | XTORA3 |
| GF | 100W MH GROUND FLOOD | LTH | TFM300MTA-TB-DBL-LPI |
| LED-2 | EXTERIOR 3" LED FIXTURE | CONTRAST LIGHTING | CA2550/REFRE2550-CL/CA2550-01 |
| RH | EXT. WEATHERPROOF EM REMOTE HEAD | EX | ZIP-2 |
| SVL-22F-3 | SITE LIGHTING | USA | SVL22F-III-350FS-MT-1-DBM-LAMP-SM15-294-11-L-DBM |
| TC | DIGITAL TIME CLOCK | FORK | DTS200A |
| WSC-1 | EXTERIOR BLACK UP/DOWN SCONCE W/ LENS | SLP | 8340-10/900R-12 |
| WSCX-2 | SIGNLITE FIXTURE W/ 18" ARM W/ LAMP | HI-LITE | H-HDMR16/18-1-119/50W/LV-BCM-M/ B0112830 |
| WSR | EXTERIOR ARCH. WALL PACK - 175W MH | COOPER | XTORA3A |

1 REFLECTED CEILING PLAN
1/4" = 1'-0" NOTE



CEILING LEGEND:

| | | |
|--------|-----------------------------------------------------------------------------|--------------------------------------------------------------------------------|
| LED-4 | 2x2 LAY-IN LIGHT FIXTURE W/ OVERLAY (LED) (TYP) | GYPSUM BOARD CEILING |
| LED-6 | 2x4 FLUORESCENT LIGHT FIXTURE, LAY-IN @ SUSPENDED CEILING GRID SYSTEM (LED) | INTERIOR FLUSH CEILING SPEAKER |
| LED-1 | RECESSED CAN EXTERIOR DOWN LIGHT FIXTURE (LED) | EXTERIOR SPEAKER |
| LED-7 | EXTERIOR LED FLOOD LIGHT | ADJUSTABLE SPEAKER VOLUME CONTROL |
| P4 | PENDANT LIGHT FIXTURE (LED) | EXIT SIGN |
| P1 | PENDANT LIGHT FIXTURE (LED) WITHIN HANGING SOFFIT | RETURN/CEILING EXHAUST REGISTER |
| BL | BATHROOM WALL SCONCE | SUPPLY AIR DIFFUSER - 4 WAY |
| WSC-1 | EXTERIOR BLACK UP/DOWN SCONCE W/ LENS | TRACK HEAD & LED LAMP |
| WSCX-2 | EXTERIOR WALL MOUNT STEM LIGHT | FLUE |
| | | 2"x4" SUSPENDED CEILING GRID SYSTEM WITH 2"x4" LAY-IN ACOUSTICAL CEILING TILES |

NOTE: SEE ELECTRICAL DWG'S FOR MORE INFORMATION ON LIGHT FIXTURES.

- MUSIC SYSTEM NOTES:**
- THE MUSIC SYSTEM IS A REQUIREMENT OF THE BRAND AND NO LONGER OPTIONAL.
 - MUSIC SYSTEM IS REQUIRED IN ALL NEW AND REMODEL STORES. MUSIC SYSTEM TO USE DBI APPROVED PROGRAMMING.
 - ALL CEILING SPEAKERS TO BE FLUSH MOUNTED WHITE. ALL EXTERIOR SPEAKERS TO BE BLACK, WITH EXTERIOR GRADE CONSTRUCTION.
 - ONE SPEAKER IN EACH BATHROOM TO BE FLUSH MOUNTED WHITE.
 - A MINIMUM OF TWO SPEAKERS IN THE SEATING AREA (NO SPEAKERS IN THE SERVICE AREA).
 - A MINIMUM OF TWO SPEAKERS AT EXTERIOR SEATING AREAS WHERE APPLICABLE.
 - SPEAKER AT EXTERIOR OF BUILDING ADJACENT TO ENTRY.
 - PROVIDE AND INSTALL SEPARATE VOLUME CONTROLS FOR EACH AREA (RESTROOMS, SEATING AREA, EXTERIOR).
 - HARDWARE TO BE INSTALLED IN THE OFFICE. FIELD VERIFY AND COORDINATE WITH FRANCHISE FOR THE EXACT LOCATION OF THE UNIT AND VOLUME CONTROLS.

CEILING FINISH SCHEDULE:

Checked: 03/22/17

| CODE | MATERIAL | MANUFACTURER | PRODUCT # | DESCRIPTION / REMARKS |
|-------|----------------------|------------------|----------------------|------------------------------------------|
| CT-01 | GENERAL CEILING TILE | ARMSTRONG | 1761 WH | 2'X4' FINE FISSED SECOND LOOK II "WHITE" |
| CT-02 | NOT USED | | | |
| CT-03 | KITCHEN CEILING TILE | ARMSTRONG | SHEETROCK LAY-IN 870 | 2'X4' VINYL CLAD CEILING TILES, "WHITE" |
| CT-04 | CEILING GRID SYSTEM | ARMSTRONG | 7300 WH | WHITE GRID, 15/16" |
| CT-05 | METAL CEILING TILE | ARMSTRONG | 9942L6A1 | 2'X2' METALWORKS CEILING PANELS |
| PX-30 | PAINTED GYP. BD. | SHERWIN WILLIAMS | SW 7006 EXTRA WHITE | FLAT |

- LIGHTING SCHEDULE NOTES:**
- PROVIDE ALL FIXTURES COMPLETE WITH LAMPS. REFER TO NATIONAL ACCOUNT SOURCE INFO FOR LAMP SPECS & VILLA LIGHTING RE-LAMPING PROGRAM. ALTERNATES FOR DRYWALL OR EMERGENCY FIXTURES CAN BE FOUND UNDER NATIONAL ACCOUNTS.
 - ALL INCANDESCENT LAMPS SHALL BE RATED 130 VOLTS.
 - ALL BALLASTS SHALL BE HIGH POWER FACTOR. FLUORESCENT BALLASTS FOR T8 LAMPS TO BE ADVANCED MANUFACTURED OPTANIUM WATT MISER, EXCEPT OUTDOOR FIXTURES TO BE ZERO-DEGREE MAGNETIC BALLASTS.
 - PROVIDE HOLD-DOWN CLIPS FOR EACH CORNER OF FLUORESCENT GRID TROFFERS.
 - PROVIDE ALL REQUIRED MOUNTING OR HANGING HARDWARE.
 - COORDINATE AND VERIFY ALL FIXTURE INFORMATION, TYPES AND FINAL LOCATIONS WITH THE REFLECTED CEILING PLAN.
 - LAMPS SHALL BE AS MANUFACTURED BY SYLVANIA, WESTINGHOUSE, GENERAL ELECTRIC OR APPROVED EQUAL.

CEILING FINISH SCHEDULE:

Checked: 03/22/17

| CODE | MATERIAL | MANUFACTURER | PRODUCT # | DESCRIPTION / REMARKS |
|-------|----------------------|------------------|----------------------|------------------------------------------|
| CT-01 | GENERAL CEILING TILE | ARMSTRONG | 1761 WH | 2'X4' FINE FISSED SECOND LOOK II "WHITE" |
| CT-02 | NOT USED | | | |
| CT-03 | KITCHEN CEILING TILE | ARMSTRONG | SHEETROCK LAY-IN 870 | 2'X4' VINYL CLAD CEILING TILES, "WHITE" |
| CT-04 | CEILING GRID SYSTEM | ARMSTRONG | 7300 WH | WHITE GRID, 15/16" |
| CT-05 | METAL CEILING TILE | ARMSTRONG | 9942L6A1 | 2'X2' METALWORKS CEILING PANELS |
| PX-30 | PAINTED GYP. BD. | SHERWIN WILLIAMS | SW 7006 EXTRA WHITE | FLAT |

NOTE: DRAWINGS ARE NOT TO SCALE IF SHEET IS PLOTTED ON 11" x 17"

THESE PLANS ARE CONFIDENTIAL PROPERTY OF DUNKIN' BRANDS, INC. UNLESS OTHERWISE INDICATED. NO OTHER RESTRICTED ACCESS.

PROJECT NO.: 17229

NRD national restaurant designers
ARCHITECTS & ENGINEERS
3005 Carrington Mill Blvd., Morrisville, NC 27560
ph: 919 544 7251 fax: 919 544 9399
A Division of LMHT Associates

DD FRESH BREW 1.0
908 MARKET DRIVE, EMPORIA, VA

REFLECTED CEILING PLAN

PC# 358084

A-2.0