

Specified Products and Approved Equals

Hinges - Provide features, functions, size and finish as shown in hardware sets.

HAGER	891 2	1253	253
MCKINREY	4	2796	
BOMMER	BL	B63004	

Locks - Provide features, functions, and finish as shown in hardware sets.

FALL	DEADL	20471	NO SUBSTITUTIONS
SCHLAGE		AL40S	
YALE	465307LN	AU5302LN	
ALCON	B511D	B301D	

Exit Devices - Provide features, functions and finish as shown in hardware sets.

VON DUPPIN	22 ED		
YALE	2100 ED		
ARGENT	3628 ED		

Closers - Provide features, functions and finish as shown in hardware sets.

LCN	1461	4115 H-CUSH	
YALE	3301	4425T / 4421T	
DORMA	8616	8916 D51 / 8956 D5T	

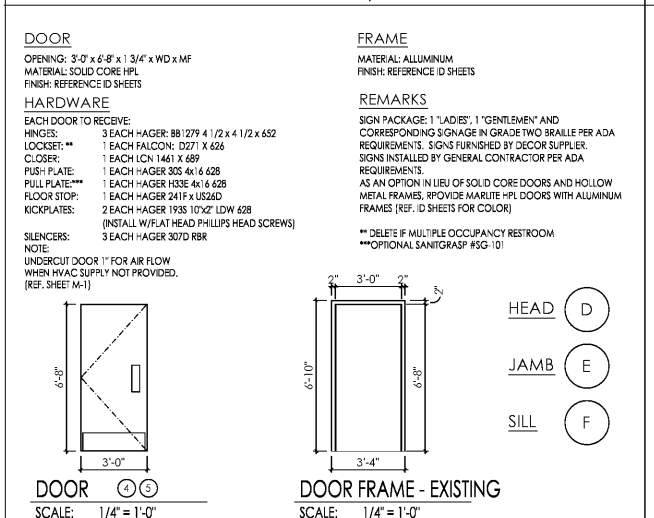
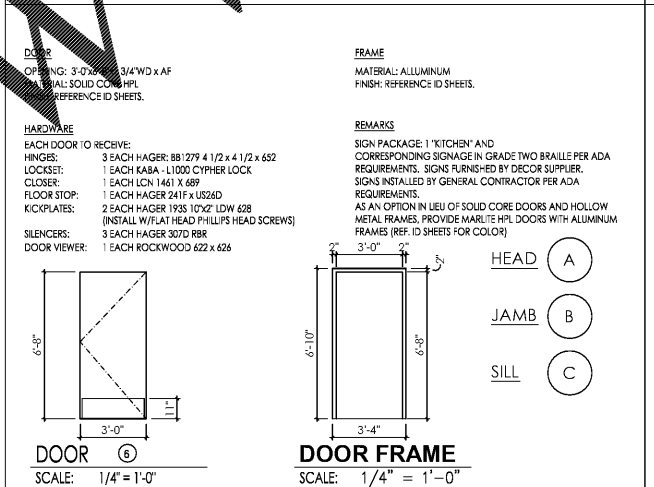
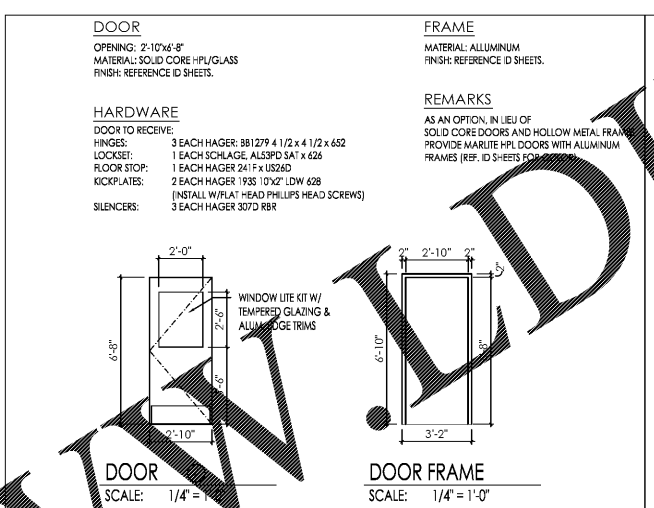
Push/Pull, KP, Stops, Etc. - Provide features, functions, size and finish as shown in hardware sets.

HAGER	KICKPLT 1935	PULL FLT 1935E	PUSH FLT 305	FL STOP 241F	WALL STOP 23GW	VIEWER 175G
ROCKWOOD	K1050 B3E	BF106 X 70C	70C	441 CU	409	622
TRIMCO	K0050	L017-3x2 1/2 PROJ.	1001-3	1211	1270WV	976U

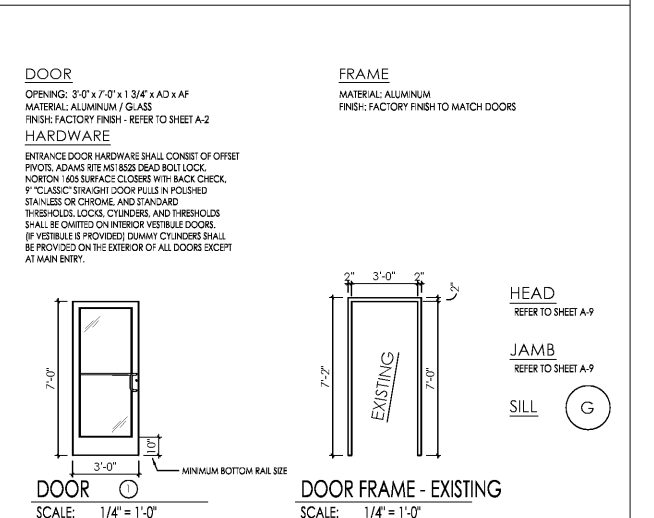
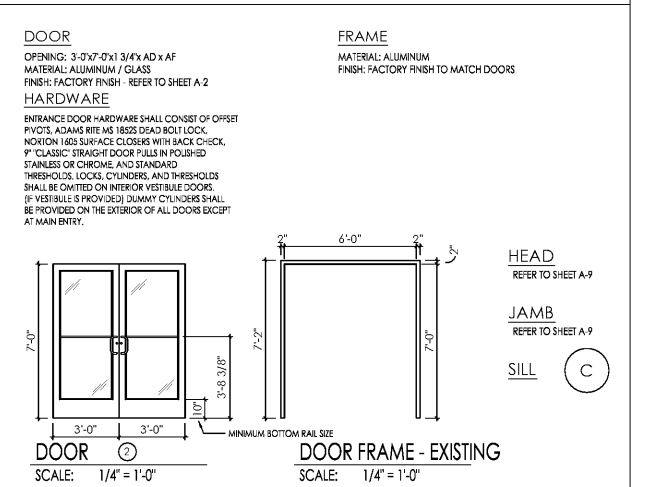
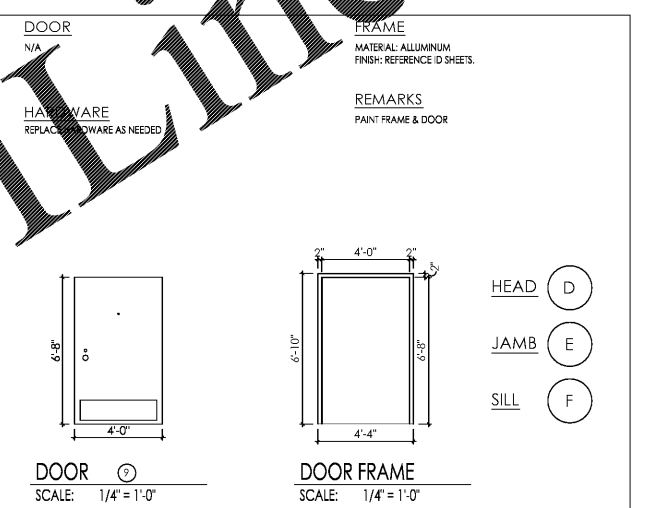
Weatherstripping, Thresholds, Etc. - provide features, functions, size and finish as shown in hardware sets.

NATIONAL GUARD	THRESHOLD 325A	SWEEP 200NA	WEATHERSTRIP 160SA
PEMCO	229A	31 SCN	303AS
ZERO	1675A	39A	99A

04 DOOR HARDWARE SCHEDULE
SCALE: NTS



03 DOOR SCHEDULE
SCALE: NTS



03 DOOR SCHEDULE
SCALE: NTS

NOTE:
CONTRACTOR TO FIELD VERIFY EXISTING DOOR / FRAME SIZE & MATCH ACCORDINGLY WHERE APPLICABLE.

NOTE:
COORDINATE NEW HARDWARE INSTALLATION WITH EXISTING FRAMES WHERE FRAMES ARE REUSED, AS REQUIRED. ALL EXISTING FRAMES TO RECEIVE NEW PAINT. COORDINATE KEYING WITH OWNER PRIOR TO COMMENCEMENT.

04/27/18
CHECKED BY: ENL
DATE: ENL
RELEASED FOR CONSTRUCTION: ENL
ADDER/DOWN: ENL

BURGER KING

PREMIER KINGS, INC.
5529 CARMICHAEL RD
MONTGOMERY, AL 36117
PHONE: (334) 312-0849

2126 Morris Avenue
Montgomery, AL 36103
Phone: (205) 322-1251
Fax: (205) 322-1778
email: info@hplkha.com
www.hplkha.com

James M. Buckstein
architect AIA

architecture • planning • interior design

STATE OF GEORGIA
JAMES M. BUCKSTEIN
REGISTERED ARCHITECT
05.10.18

PROJECT #1702037
IMAGE 20/20 - JULY 2012 STANDARDS

BURGER KING RENOVATION
154 S MAIN ST.
BAXLEY, GA 31513

DOOR & HARDWARE DETAILS

A8.2