

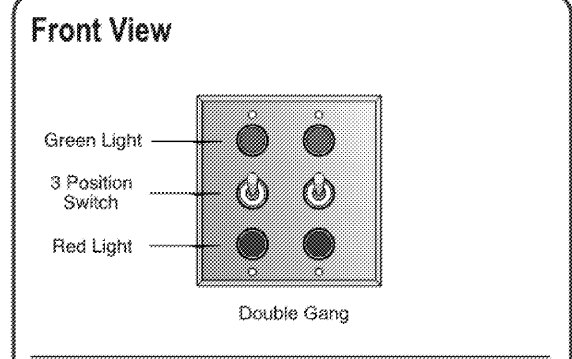
Revisions		
#	Date	Description

Project Number: 18028  
 Issued for: CONSTRUCTION  
 Issue Date: 03/22/18

DRAWING TITLE  
**ELECTRICAL RISERS & DETAILS**

SHEET NUMBER  
**E402**

**Double Gang Switch**  
 DG - Two Single Pole / Double Throw Switches



**PART NUMBER**  
 DG (Two Single Pole / Double Throw Switches)

**SWITCHPLATE DIMENSIONS**  
 4.8" H x 4.5" L

**ILLUMINATION SOURCE**  
 Green and Red Indicator Lamps

**ELECTRICAL**  
 120 VAC, 0.9 Amps

**CONSTRUCTION**  
 Switchplate - Stamped Stainless Steel

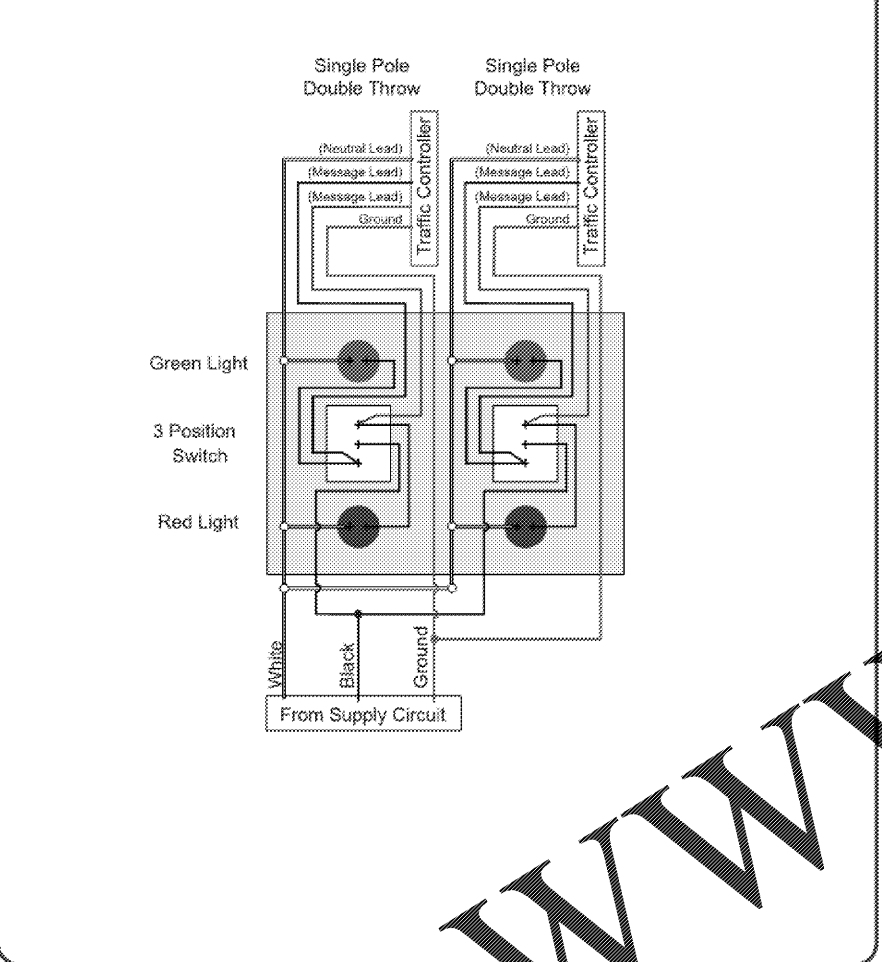
**FINISH**  
 Switchplate - Brushed Stainless Steel

**Note:** This sign is intended to be installed in accordance with the requirements of Article 600 of the National Electric Code and / or other applicable local codes. This includes proper grounding and bonding of the sign.

**Note:** Make appropriate wiring connections per local codes.

For Supply Connections Use Wire Rated For At Least 110° C

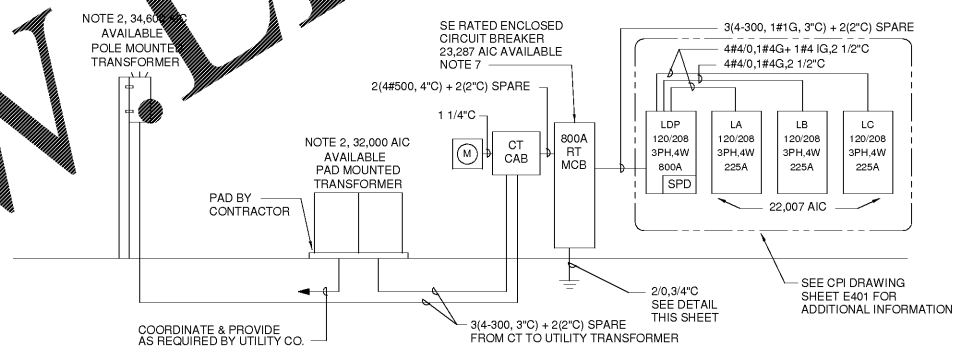
**Schematic View**



**MECH/ELEC CONNECTION SCHEDULE**

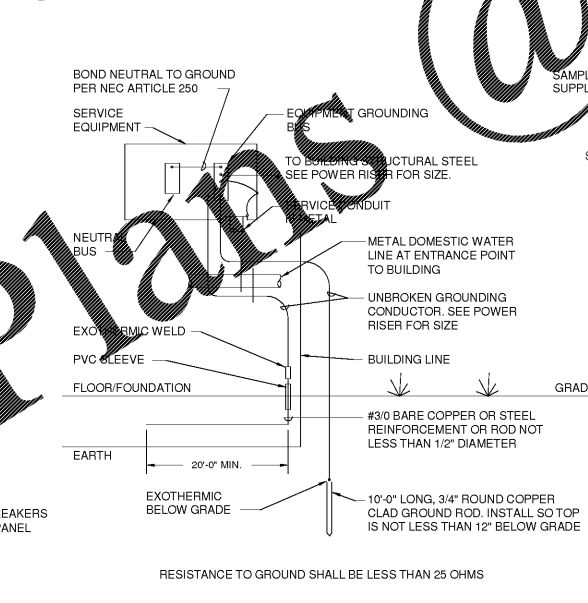
ITEM	H.P.	FLA	M.O.C.P.	M.O.C.P.	VOLTS	DISCONNECT
EF-1	-	2.6	-	15	208V-3PH	30F15-3P-3R
EF-2	-	2.6	-	15	208V-3PH	30F15-3P-3R
EF-3	-	2.6	-	15	208V-3PH	30F15-3P-3R
EF-4	1.0	-	-	-	120V-1PH	MOTOR RATED SWITCH NEMA 3R
MUA-1 (FAN)	15.0	-	-	-	208V-3PH	30F20-3P-3R
MUA-1 (FAN #1)	17.4	-	-	-	208V-3PH	30F20-3P-3R
MUA-1 (FAN #2)	19.07	-	-	-	208V-3PH	30F20-3P-3R
DWH-1	-	-	GAS	-	120V-1PH	GFCI/WP RECEPTACLE
RTU-1	-	-	46	60	208V-3PH	60F60-3P-3R
RTU-2	-	-	47.0	80	208V-3PH	100F60-3P-3R

COORDINATE WITH MC AND PROVIDE ELECTRICAL CONNECTIONS AS REQUIRED FOR PERMISSIBLE MANUFACTURER STAMPED DATA PLATES FOR A COMPLETE AND OPERATIONAL MECHANICAL/ELECTRICAL SYSTEM.



- POWER RISER DIAGRAM**
- NOTES:
- ELECTRICAL CONTRACTOR TO VERIFY TRANSFORMER MOUNTING PRIOR ROUGH-IN WORK.
  - AVAILABLE FAULT CURRENT SHALL BE COORDINATE WITH LOCAL UTILITY COMPANY
  - DISTANCE OF 75' USED FOR AIC CALCULATION. CONTRACTOR SHALL COORDINATE SITE SPECIFIC SECONDARY CONDUCTOR DISTANCE AS REQUIRED.
  - PROVIDE ARC FLASH LABEL PER NEC 110.24 ON EACH PIECE OF ELECTRICAL GEAR. LABELS SHALL COMPLY WITH NEC 110.16.
  - PANEL 'LDP' SHALL HAVE SURGE SUPPRESSION FACTORY INSTALLED & CONNECTED DIRECTLY TO BUSSING WITHOUT THE USE OF A CIRCUIT BREAKER AND HAVE ALL MODES OF PROTECTION, L-N-L, L-G & N-G.
  - MAIN & SUB-PANELS AND THE LIGHTING CONTACTOR SHALL BE A PRE-ASSEMBLED UL APPROVED SYSTEM.
  - THE CONTRACTOR SHALL PROVIDE TALL ENCLOSURE TO CONCEAL EXPOSED CONDUIT.

**1 DRIVE THRU CANOPY LIGHT SWITCH DETAIL**  
 E402 NO SCALE



**4 DUCT DETECTOR MOUNTING DETAIL**  
 E402 DIAGRAMMATIC ONLY

SIGNALING EQUIPMENT MODEL NUMBERS ARE FOR EDWARDS SIGNALING AND SECURITY SYSTEMS. DUCT DETECTOR & REMOTE TEST MODEL NUMBERS ARE FOR SYSTEM SENSOR.

ALL EQUIPMENT AND INSTALLATION SHALL COMPLY WITH THE LATEST LOCAL CODES.

SMOKE DETECTOR TO BE SUPPLIED BY EC TO MC FOR INSTALLATION INTO DUCTWORK. EC TO PROVIDE, WIRE AND TEST OPERATION OF DETECTOR AND NOTIFICATION DEVICES.

SEE MECHANICAL PLANS FOR LOCATION OF A/V DEVICES.

**3 SERVICE GROUNDING DETAIL**  
 E402 NO SCALE

**2 HOOD CONTROL AND WIRING DETAIL**  
 E402 NO SCALE

