

**#ATL034**  
**CONYERS, GA**

**Krystal**



3/22/18

**ISSUED FOR CONSTRUCTION**  
1447 Highway 138  
Conyers, Georgia 30012  
Rockdale County, Georgia

Revisions		
#	Date	Description

Project Number: 18028  
Issued for: CONSTRUCTION  
Issue Date: 03/22/18

DRAWING TITLE  
**ELECTRICAL SITE PLAN**

SHEET NUMBER  
**E100**

**BUG RATING: B1-U0-C2**

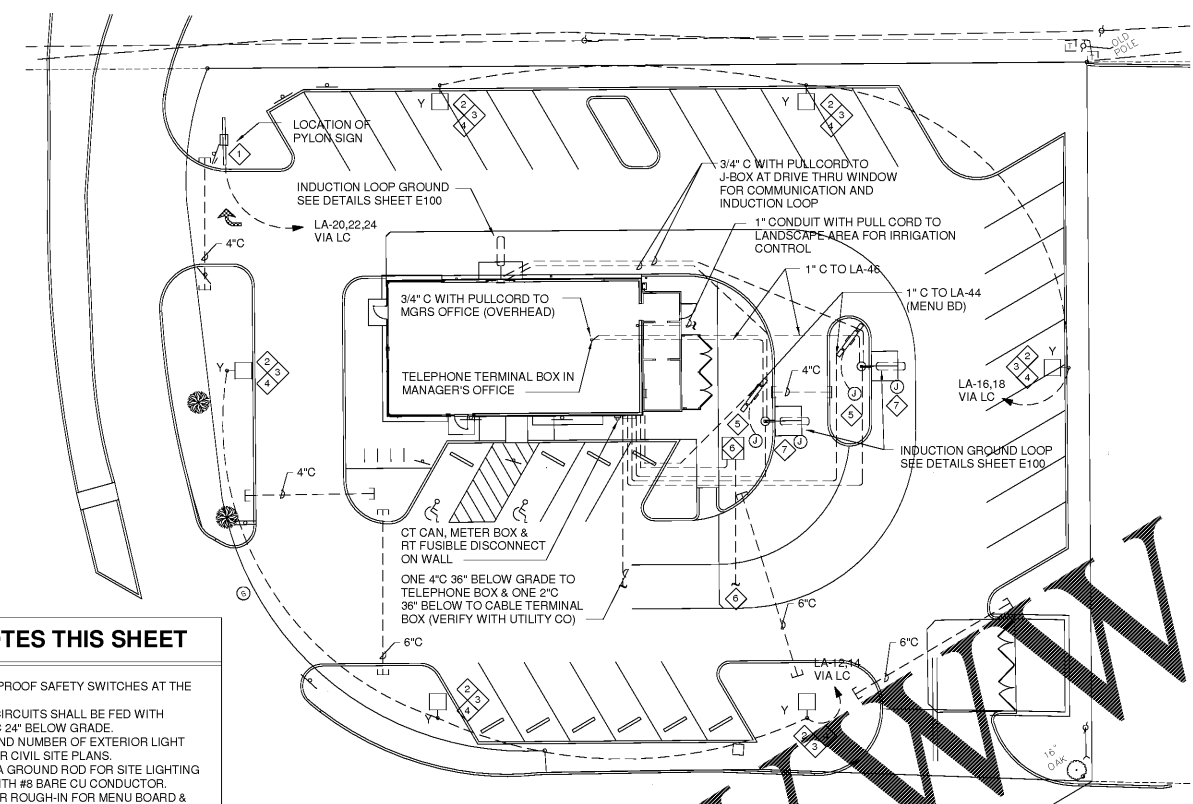
**STREETWORKS™**

**CRYSTAL**

**LED FLOOD**

**Cooper Lighting**

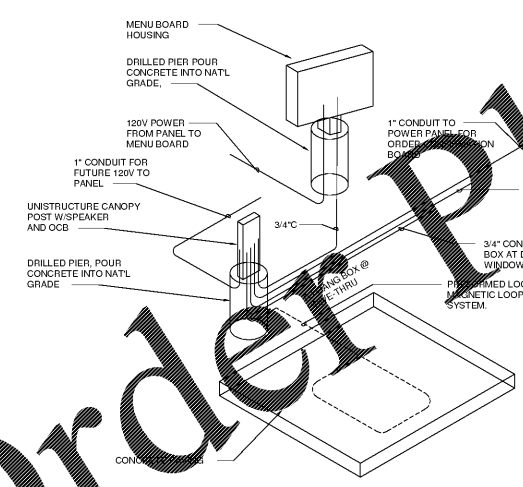
3/22/18



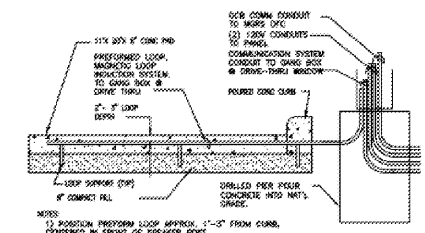
**KEYED NOTES THIS SHEET**

1. PROVIDE WEATHERPROOF SAFETY SWITCHES AT THE PYLON.
2. ALL SITE LIGHTING CIRCUITS SHALL BE FED WITH 2#10,1#10G IN 1" PVC 24" BELOW GRADE.
3. VERIFY LOCATION AND NUMBER OF EXTERIOR LIGHT FIXTURE TYPE "Y" PER CIVIL SITE PLANS.
4. PROVIDE 8" X 5/8" DIA GROUND ROD FOR SITE LIGHTING POLE. CONNECT WITH #8 BARE CU CONDUCTOR.
5. COORDINATE POWER ROUGH-IN FOR MENU BOARD & ORDER CONFIRMATION WITH VENDOR PRIOR TO ANY ROUGH-IN WORK. PROVIDE 1" CONDUIT TO MENU BOARD AT 3/4" TO PREVIEW BOARD.
6. FIELD COORDINATE PLACEMENT OF UTILITY TRANSFORMER PRIOR TO ROUGH-IN. PROVIDE TWO 4" X 48" BELOW GRADE FROM POLE MOUNTED TRANSFORMER TO POWER POLE AS REQUIRED.
7. VERIFY LOCATION WITH UTILITY COMPANY. PROVIDE CONNECTION FOR RED/GREEN LIGHT TO EACH CANOPY. SEE POWER PLAN FOR ADDITIONAL INFORMATION. USE CIRCUIT LA-36.

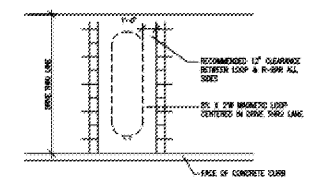
**1** EXAMPLE SITE PLAN  
E100 1" = 20'-0"



**2** DRIVE THRU MENU WIRING DIAGRAM  
E100 NOT TO SCALE



**3** SECTION THRU INDUCTION LOOP A/D/T  
E100 NOT TO SCALE



**4** INDUCTION LOOP PLAN  
E100 NOT TO SCALE

Item	Description	Quantity	Unit	Notes
1	1\"/>			

Item	Description	Quantity	Unit	Notes
2	1\"/>			

Order Plans @ WWW.LDLINE.COM