

**#ATL034**  
**CONYERS, GA**

**Krystal**



3/22/18

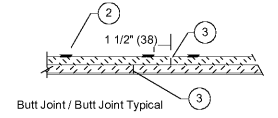
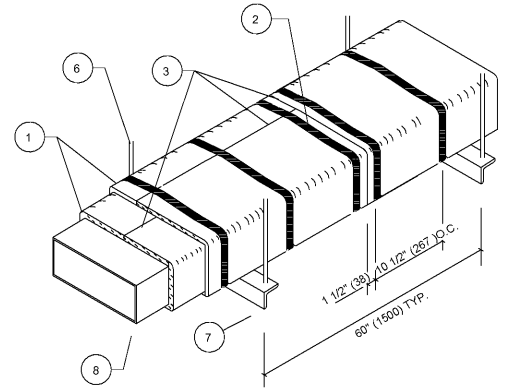
**ISSUED FOR CONSTRUCTION**  
 1447 Highway 138  
 Conyers, Georgia 30012  
 Rockdale County, Georgia

Revisions		
#	Date	Description

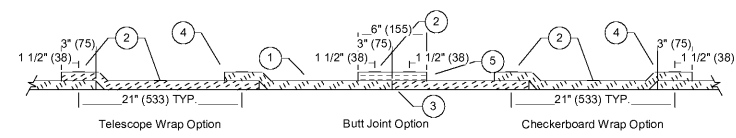
Project Number: 19028  
 Issued for: CONSTRUCTION  
 Issue Date: 03/22/18

DRAWING TITLE  
**MECHANICAL DETAILS**

SHEET NUMBER  
**M401**



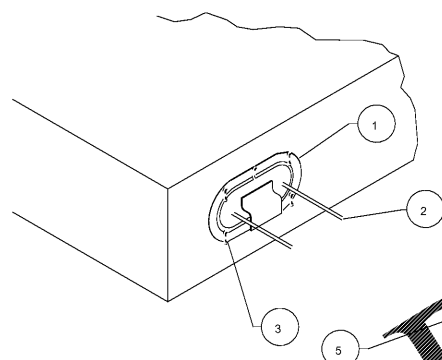
TWO LAYER INSTALLATION (Grease Duct per ASTM E2336)



SINGLE LAYER INSTALLATION OPTIONS (HVAC Duct or Grease Duct per UL1978)

LEGEND	
1	Two Layers of XL Insulation for ASTM E2336 Grease Duct Enclosures One Layer of XL Insulation for Air Ventilation Duct Enclosures and UL1978 Zero Clearance
2	Steel banding minimum 1/2" (13) wide by 0.015" (0.4) thick.
3	Tight butt joints (ULC Grease Duct requires 3" (75) overlap)
4	Min. 3" (75) overlap on perimeter and between adjacent blankets
5	Optional 6" XL collar
6	Hangers - size dependent weight of assembly (see datasheet Section G)
7	Trapeze Supports - size dependent on weight of assembly (see datasheet Section G)
8	Steel Rectangular or Round Duct (size, gage and construction dependent per Listed Design)

1 ZERO CLEARANCE TO COMBUSTIBLES GREASE DUCT ENCLOSURE  
 M401 NOT TO SCALE



Legend	
1	UL listed enclosure for XL access panel
2	All Thermal Gaskets and weatherstrips
3	Weatherstrips with threaded fastening bolts
4	Fastening bolts as required by UL or ITS Listings
5	Door XL 1/2 inch thick single layer insulation

FastDoor XL1 Access Doors Sizes	
Available Opening Sizes	Ordering Code
10" x 6" Door Opening	434-6970-034-99X1
12" x 8" Door Opening	434-6970-035-99X1
12" x 12" Door Opening	434-6970-036-99X1
16" x 12" Door Opening	434-6970-037-99X1
20" x 20" Door Opening	434-6970-038-99X1

2 GREASE DUCT ACCESS PANEL DETAIL  
 M401 NOT TO SCALE

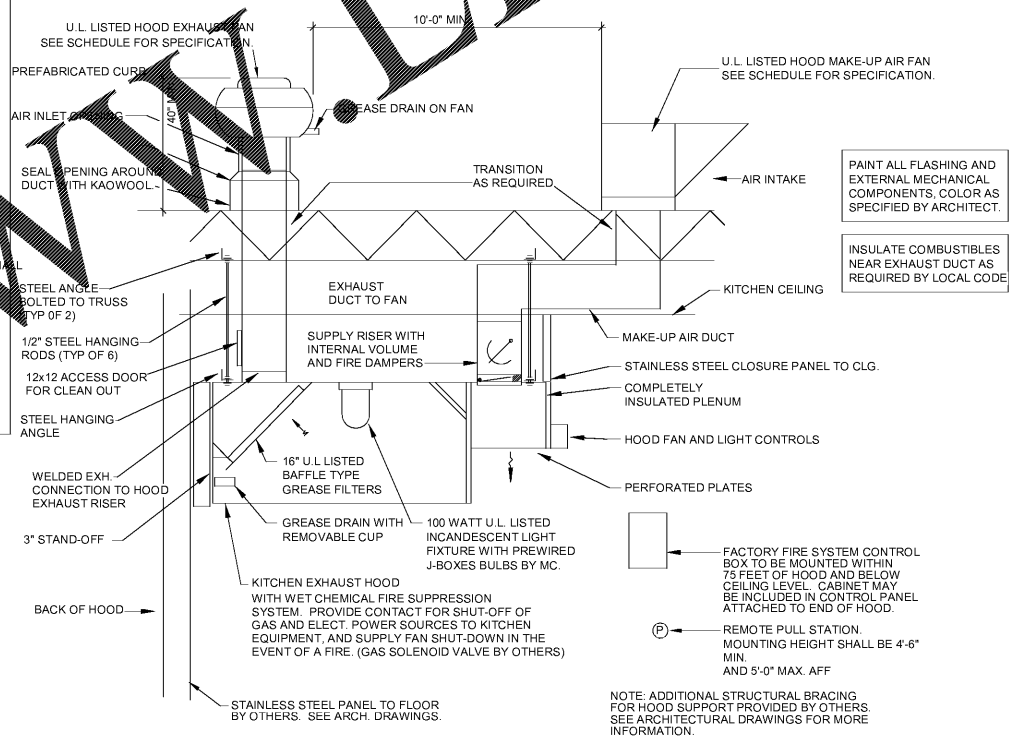
**KITCHEN HOOD NOTES**

- KITCHEN EXHAUST DUCT TO BE CONSTRUCTED OF 16 GAUGE BLACK IRON W/CONTINUOUS EXTERNAL LIQUID-TIGHT WELDS
- SLOPE EXHAUST DUCT 1" PER FOOT MINIMUM.
- RADIUS THROAT AND ELBOW OF EXHAUST DUCT
- OFFSETS WITH MINIMUM 6" INNER RADIUS PROVIDE CLEAN-OUTS PER CODE.
- WRAP ENTIRE DUCT W/UL "FIRE MASTER" BY THERMAL CERAMICS, FROM HOOD EXHAUST TO FAN DISCHARGE WHERE REQ'D. FOR CLEARANCES PER CODE.
- DUCT WRAP TO BE INSTALLED PER MFG'S REQUIREMENTS AND UL CLASSIFICATION AND TESTS.
- GO TO SPACE STRUCTURE TO ACCOMMODATE DUCTS W/ WRAP AS REQ'D. (MIN 18" CLEAR TO COMBUSTIBLES) & PROVIDE RATED CHASE W/RATED ACCESS DOOR AS REQ'D.
- PROVIDE/PROTECT CLEAN-OUTS PER MFG'S AND U.L. REQUIREMENTS.
- PROVIDE WITH FACTORY PRE-WIRED MOTOR CONTROL PACKAGE.
- INSTALL HOOD AT HEIGHT PER CODE & W/ GREASE FILTERS 3.5' ABOVE COOKING SURFACE W/OPEN FLAME, PER CODE.
- HOOD CAPTURE SIZE BASED UPON EQUIP. SCHEDULE TO BE UNDER HOOD PLUS MIN. 6" ON ALL EXPOSED SIDES PER CODE. FIELD VERIFY/COORD. HOOD SIZE & FANS CAPACITIES W/ACTUAL EQUIP. FURNISHED.
- EXACT HOOD-DUCT CONNECTION & TRANSITION SHALL BE FULLY COORD. W/HOOD MFG. PRIOR TO FABRICATION.
- MAKE-UP AIR FAN SHALL SHUT-DOWN UPON DETECTION OF FIRE SUPPRESSION SYSTEM.
- EXHAUST FAN TO REMAIN OPERATING DURING "ALARM".
- INSTALL REMOTE PULL STATION MIN. 10' AND MAX. 20'-0" FROM HOOD. PULL STATION SHALL BE RATED WITH MAX. PULL PRESSURE OF 40 LBS. AND MAX. PULL MOVEMENT OF 14".

**PROVIDED FEATURES:**  
 - ROOF MOUNTED FAN  
 - RESTAURANT MODEL  
 - UL 762 U.L. 255  
 - WEATHER PROOF DISCONNECT  
 - THERMAL OVERLOAD PROTECTION  
 - HIGH HEAT OPERATION (400°F)  
 - GREASE CLASSIFICATION TESTING:  
 - CSA APPROVED  
 - NORMAL TEMPERATURE TEST  
 - EXHAUST FAN MUST OPERATE CONTINUOUSLY WHILE EXHAUSTING AIR AT 400°F (204°C) UNTIL ALL FAN PARTS HAVE REACHED THERMAL EQUILIBRIUM, AND WITHOUT ANY DETERIORATING EFFECTS TO THE FAN WHICH WOULD CAUSE UNSAFE OPERATION.  
**ABNORMAL FLARE-UP TEST**  
 - EXHAUST FAN MUST OPERATE CONTINUOUSLY WHILE EXHAUSTING BURNING GREASE VAPORS AT 600°F (315°C) FOR A PERIOD OF 15 MINUTES WITHOUT THE FAN BECOMING DAMAGED TO ANY EXTENT THAT COULD CAUSE AN UNSAFE CONDITION.

3 KITCHEN HOOD SCHEMATIC  
 M401 NOT TO SCALE

**KITCHEN HOOD FIRE SUPPRESSION SYSTEM**  
 PROVIDE A PRE-ENGINEERED, WET CHEMICAL, CARTRIDGE OPERATED TYPE FIRE SUPPRESSION SYSTEM. IT SHALL BE A WET NOZZLE, AGENT DISTRIBUTION NETWORK, AND SHALL BE UL LISTED. THE SYSTEM SHALL BE CAPABLE OF AUTOMATIC DETECTION AND REMOTE ACTUATION. THE SYSTEM SHALL BE IN ACCORDANCE WITH NFPA 96 AND AUTHORITY HAVING JURISDICTION. DISCHARGE NOZZLES WILL PROVIDE COVERAGE OF, BUT NOT LIMITED TO, THE HOOD AREA AND EXHAUST DUCT. FURNISH ELECTRIC OPERATED SHUT OFF VALVE. THE SYSTEM SHALL BE AN INSUL MODEL R-102 OR APPROVED EQUAL.



PAINT ALL FLASHING AND EXTERNAL MECHANICAL COMPONENTS, COLOR AS SPECIFIED BY ARCHITECT.

INSULATE COMBUSTIBLES NEAR EXHAUST DUCT AS REQUIRED BY LOCAL CODE

NOTE: ADDITIONAL STRUCTURAL BRACING FOR HOOD SUPPORT PROVIDED BY OTHERS. SEE ARCHITECTURAL DRAWINGS FOR MORE INFORMATION.