



Ragona Architecture & Design, PLLC
1447 Highway 138, Suite C
Conyers, GA 30012
www.rad-arch.com

Fire System Information - Job#3227534

FIRE SYSTEM NO.	Tag	TYPE	SIZE	FLOW POINTS	INSTALLATION	
					SYSTEM	LOCATION ON HOOD
1	H1/H2 GRIDDLE FS	Ansul R102	3.0/1.5	14	Fire Cabinet Right	Right
2	FRYER FS	Ansul R102	3.0/3.0	15	Fire Cabinet Right	Right

GAS VALVE(S)

FIRE SYSTEM NO.	TAG	TYPE	SIZE	SUPPLIED BY
1	H1/H2 GRIDDLE FS	Mechanical	1.250	CaptiveAire Systems

Fire System Parts List Key

FIRE SYSTEM NO.	TAG	KEY NUMBER - PART DESCRIPTION	QTY. BY FACTORY	QTY. BY DIST.
1	H1/H2 GRIDDLE FS	0 - 0 - 43-15733 AIR CYLINDER ASSEMBLY - Air Cylinder and Tubing for Mechanical Gas Valves (Ansul Part#15733)	1	0
		0 - 0 - METALCAP-CB BLOWOFF CAP - Metal	12	0
		0 - 0 - Tank Strap Tank Strap - used for ANSUL Tanks	2	0
		0 - 0 - UCTANKBRACKET Tank Bracket for fire system tank installation in utility cabinets	2	0
		1 - 1 - AT - 1.5 TANK(#1A) - 1.5 Gallon SS Tank (for use with Automan Release, Actuator, or SS Enclosure (UL/ULC)) Macola # 02-429864	1	0
		1 - 1 - AT - 3.0 TANK(#1B) - 3.0 Gallon SS Tank (for use with Automan Release, Actuator, or SS Enclosure (UL/ULC)) Macola # 01-429862	1	0
		3 - 3 - ANS-OEM REGULATED RELEASE - Ansul Regulated Mechanical Release/Bracket Assembly, OEM, R-102, Cartridge Detection Included, Ansul Part # 79493	1	0
		5 - 5 - LIQ-3.0 AGENT - Ansulex Low PH Wet Chemical Agent, 3 Gallon (UL) 79372	0	1
		6 - 6 - LIQ-1.5 AGENT - Ansulex Low PH Wet Chemical Agent, 1.5 Gallon (UL) 79694	0	1
		9 - 9 - 101-30 CARTRIDGE - Carbon Dioxide, 101-30, Cartridge (R-102) 19-15851	0	1
		10 - 10 - TLINK LINK - Test Link (1 test link) Ansul Part # 24916, Macola # 20-24916	0	1
		11 - 11 - MICRO-SDA MICROSWITCH KIT- Includes 2 switches and Mounting Hardware. Single Dual Electric Switch, One Standard Switch, One Alarm Duty Switch Ansul Part # 437155, Macola # 08-437155	1	0
		12 - 12 - HOSE HOSE - Rubber Hose	1	0
		14 - 14 - 419336 NOZZLE - 1W Nozzle, Duct/Appliance (Replaces ANSUL Part# 419347, CAS Part# 419336) A0001266	2	0
		16 - 16 - 419335 NOZZLE - 1N Nozzle, Plenum/Appliance (Replaces ANSUL Part# 419346, CAS Part# 419335) A0001265	8	0
		20 - 20 - 419340 NOZZLE - 245 Nozzle, Appliance (Replaces ANSUL Part# 419351, Part# 419340) A0001270	2	0
		25 - 25 - 418569 NOZZLE ADAPTOR - Swivel Nozzle Adaptor (Replaces CAS Part # 418569) A0001274	6	0
		26 - 26 - QSA-3/8 QUIK SEAL - 3/8" (UL)	12	0
		27 - 27 - QPSA-1/2 PULLEY SEAL - 1/2" Hood Seal (UL) Ansul Part # 423253, Macola # 32-79768	5	0
		28 - 28 - S-DET DETECTOR - Series (Scissor Linkage) Ansul Part # 435547/435548 (Old # 417369/434480), Macola # 05-417369	9	0
		29 - 29 - ANS-360FL FUSIBLE LINK - 360deg F, R-102 and PIRANHA, Ansul Part # 439088	6	0
		30 - 30 - ANS-500FL FUSIBLE LINK - 500deg F, R-102 and PIRANHA, Ansul Part # 439232	3	0
		34 - 34 - RPS-A REMOTE PULL STATION - Red composite (without wire rope) 434618 (Old Macola #06-4835)	1	0
		35 - 35 - PE-LT PULLEY ELBOW - Low Temp. Pulley Elbow, Set Screw Type Ansul Part # 415670, Macola # 11-415671	5	0
		36 - 36 - PE-HT PULLEY ELBOW - High Temp Pulley Elbow, Compression Type, Ansul Part # 423251, Macola # 10-45771	4	0
		0 - 0 - METALCAP-CB BLOWOFF CAP - Metal	7	0
		0 - 0 - Tank Strap Tank Strap - used for ANSUL Tanks	2	0
		0 - 0 - UCTANKBRACKET Tank Bracket for fire system tank installation in utility cabinets	0	0
		1 - 1 - AT - 3.0 TANK(#1B) - 3.0 Gallon SS Tank (for use with Automan Release, Actuator, or SS Enclosure (UL/ULC)) Macola # 01-429862	2	0
		3 - 3 - ANS-OEM REGULATED RELEASE - Ansul Regulated Mechanical Release/Bracket Assembly, OEM, R-102, Cartridge Detection Included, Ansul Part # 79493	0	0
		5 - 5 - LIQ-3.0 AGENT - Ansulex Low PH Wet Chemical Agent, 3 Gallon (UL) 79372	0	2
		9 - 9 - 101-30 CARTRIDGE - Carbon Dioxide, 101-30, Cartridge (R-102) 19-15851	0	1
		10 - 10 - TLINK LINK - Test Link (1 test link) Ansul Part # 24916, Macola # 20-24916	0	1
		11 - 11 - MICRO-SDA MICROSWITCH KIT- Includes 2 switches and Mounting Hardware. Single Dual Electric Switch, One Standard Switch, One Alarm Duty Switch Ansul Part # 437155, Macola # 08-437155	1	0
		12 - 12 - HOSE HOSE - Rubber Hose	1	0
		14 - 14 - 419336 NOZZLE - 1W Nozzle, Duct/Appliance (Replaces ANSUL Part# 419347, CAS Part# 419336) A0001266	1	0
16 - 16 - 419335 NOZZLE - 1N Nozzle, Plenum/Appliance (Replaces ANSUL Part# 419346, CAS Part# 419335) A0001265	2	0		
19 - 19 - 419338 NOZZLE - 1N Nozzle, Appliance (Replaces ANSUL Part# 419345, CAS Part# 419338) A0001265	4	0		
25 - 25 - 418569 NOZZLE ADAPTOR - Swivel Nozzle Adaptor (Replaces CAS Part # 418569) A0001274	1	0		
26 - 26 - QSA-3/8 QUIK SEAL - 3/8" (UL)	7	0		
27 - 27 - QPSA-1/2 PULLEY SEAL - 1/2" Hood Seal (UL) Ansul Part # 423253, Macola # 32-79768	1	0		
28 - 28 - S-DET DETECTOR - Series (Scissor Linkage) Ansul Part # 435547/435548 (Old # 417369/434480), Macola # 05-417369	3	0		
29 - 29 - ANS-360FL FUSIBLE LINK - 360deg F, R-102 and PIRANHA, Ansul Part # 439088	1	0		
30 - 30 - ANS-500FL FUSIBLE LINK - 500deg F, R-102 and PIRANHA, Ansul Part # 439232	2	0		
34 - 34 - RPS-A REMOTE PULL STATION - Red composite (without wire rope) 434618 (Old Macola #06-4835)	1	0		
35 - 35 - PE-LT PULLEY ELBOW - Low Temp. Pulley Elbow, Set Screw Type Ansul Part # 415670, Macola # 11-415671	2	0		
36 - 36 - PE-HT PULLEY ELBOW - High Temp Pulley Elbow, Compression Type, Ansul Part # 423251, Macola # 10-45771	1	0		

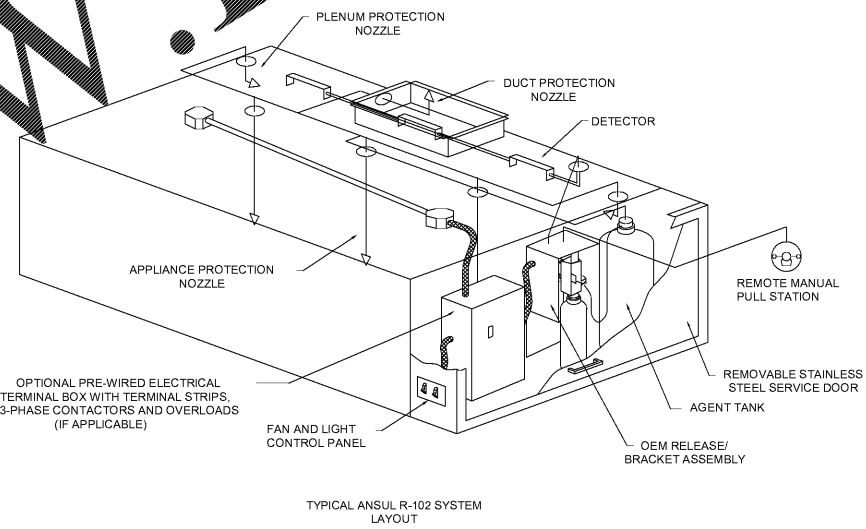
SPECIFICATIONS

THE RESTAURANT FIRE SUPPRESSION SYSTEM SHALL BE THE PRE-ENGINEERED TYPE WITH A FIXED NOZZLE AGENT DISTRIBUTION NETWORK. IT SHALL BE LISTED WITH UNDERWRITERS LABORATORIES, INC. (UL)

THE SYSTEM SHALL BE CAPABLE OF AUTOMATIC DETECTION AND ACTUATION WITH LOCAL OR REMOTE MANUAL ACTUATION. ACCESSORIES SHALL BE AVAILABLE FOR MECHANICAL OR ELECTRICAL GAS LINE SHUT-OFF APPLICATIONS.

THE EXTINGUISHING AGENT SHALL BE A POTASSIUM CARBONATE, POTASSIUM ACETATE-BASED FORMULATION DESIGNED FOR FLAME KNOCKDOWN AND SECUREMENT OF GREASE RELATED FIRES. IT SHALL BE AVAILABLE IN PLASTIC CONTAINERS WITH INSTRUCTIONS FOR LIQUID AGENT HANDLING AND USAGE.

THE REGULATED RELEASE MECHANISM SHALL BE COMPATIBLE WITH A FUSIBLE LINK DETECTION SYSTEM. THE FUSIBLE LINK SHALL BE SELECTED AND INSTALLED ACCORDING TO THE OPERATING TEMPERATURE IN THE VENTILATING SYSTEM. THE FUSIBLE LINK SHALL BE SUPPORTED BY A DETECTOR BRACKET/ LINKAGE ASSEMBLY.



Order Plans @ www.LDILine.com

WAVE ENGINEERING
122 W. BLAND ST. SUITE C
CONYERS, GA 30028
909-236-7729
INFO@WAVEENGINEERING.COM
WAVE PROJECT # 18028

**#ATL034
CONYERS, GA**



3/22/18

ISSUED FOR CONSTRUCTION
1447 Highway 138
Conyers, Georgia 30012
Rockdale County, Georgia

Revisions		
#	Date	Description

Project Number: 18028
Issued for: CONSTRUCTION
Issue Date: 03/22/18

**DRAWING TITLE
HOOD DRAWINGS**

SHEET NUMBER
M302