

#ATL034
CONYERS, GA

Krystal

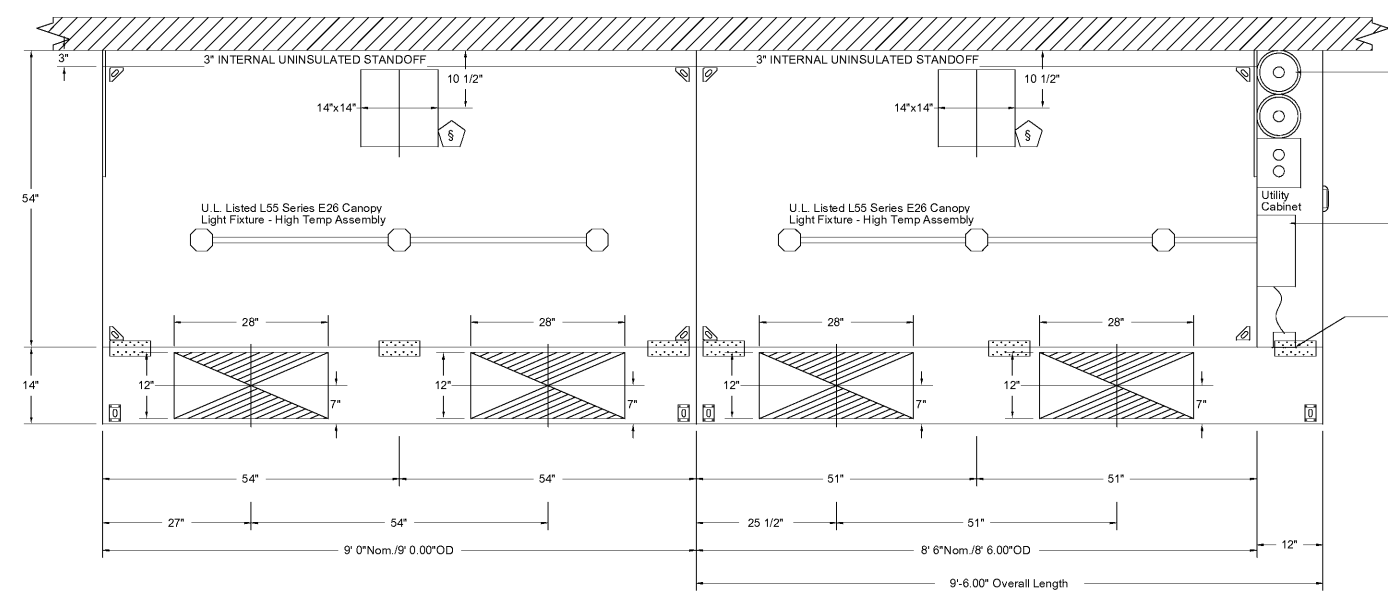


3/22/18

ISSUED FOR CONSTRUCTION

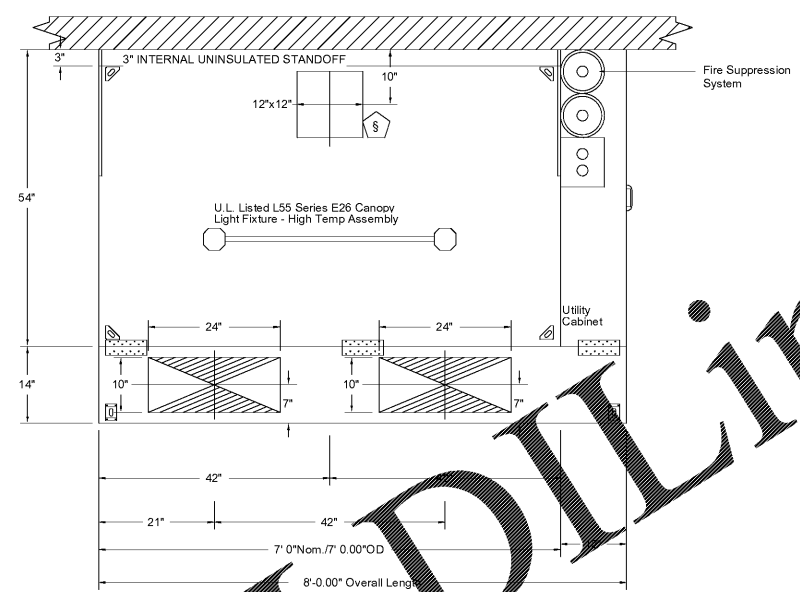
1447 Highway 138
Conyers, Georgia 30012
Rockdale County, Georgia

Revisions		
#	Date	Description

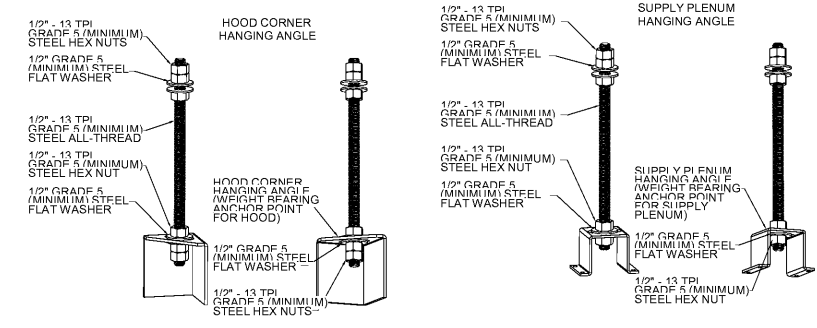


PLAN VIEW - Hood #1 (GRIDDLE - L)
9' 0.00" LONG
5424ND-2-PSP-F

PLAN VIEW - Hood #2 (GRIDDLE - R)
8' 6.00" LONG
5424ND-2-PSP-F



PLAN VIEW - Hood #3 (FRYER)
7' 0.00" LONG
5424ND-2-PSP-F

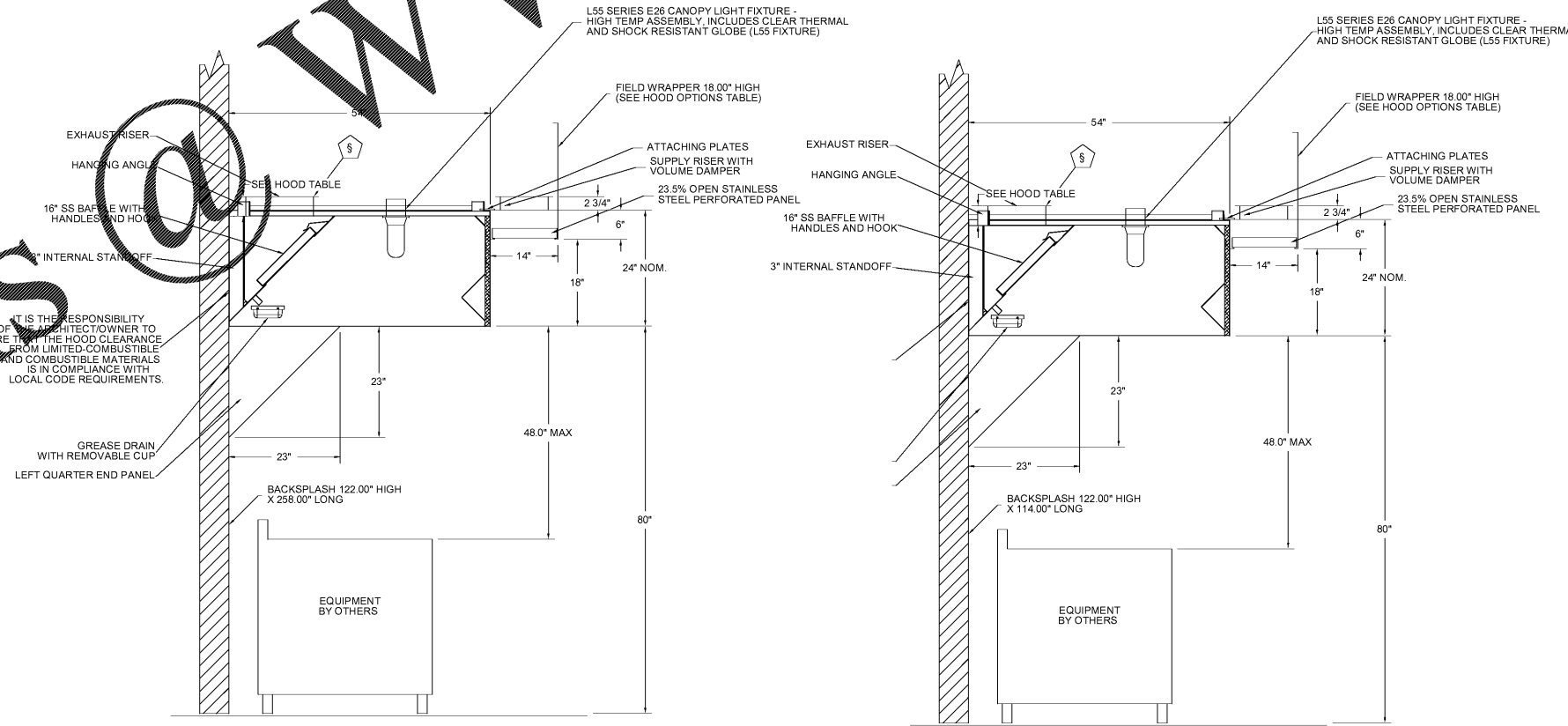


ASSEMBLY INSTRUCTIONS

HANGING ANGLE MUST BE SUPPORTED WITH 1/2" - 13 TPI GRADE 5 (MINIMUM) ALL-THREAD. SANDWICH HANGING ANGLES AND CEILING ANCHOR POINTS WITH 1/2" GRADE 5 (MINIMUM) STEEL FLAT WASHERS AND 1/2" - 13 TPI GRADE 5 (MINIMUM) HEX NUTS AS SHOWN. MUST USE DOUBLED HEX NUT CONFIGURATION BENEATH HOOD HANGING ANGLES AND ABOVE CEILING ANCHORS. MAINTAIN 1/4" OF EXPOSED THREADS BENEATH BOTTOM HEX NUT. TORQUE ALL HEX NUTS TO 57 FT-LBS.

ASSEMBLY INSTRUCTIONS

HANGING ANGLE MUST BE SUPPORTED WITH 1/2" - 13 TPI GRADE 5 (MINIMUM) ALL-THREAD. SANDWICH HANGING ANGLES AND CEILING ANCHOR POINTS WITH 1/2" GRADE 5 (MINIMUM) STEEL FLAT WASHERS AND 1/2" - 13 TPI GRADE 5 (MINIMUM) HEX NUTS AS SHOWN. MUST USE DOUBLED HEX NUT CONFIGURATION ABOVE CEILING ANCHORS. SINGLE HEX NUT BENEATH HANGING ANGLE IS ACCEPTABLE FOR PSP HANGING ANGLES. MAINTAIN 1/4" OF EXPOSED THREADS BENEATH BOTTOM HEX NUT. TORQUE ALL HEX NUTS TO 57 FT-LBS.



SECTION VIEW - MODEL 5424ND-2-PSP-F HOOD - #1 (GRIDDLE - L)

SECTION VIEW - MODEL 5424ND-2-PSP-F HOOD - #3 (FRYER)

CAPTIVE-AIRE HOODS ARE BUILT IN COMPLIANCE WITH

NFPA #96
UL 710 & ULC710 STANDARDS
E.T.L. LISTED 305484-4-001

FOR QUESTIONS CALL THE
NORTHWEST REGIONAL SALES
MANAGER: SUITE 3, SPRING
PHONE: (919) 399-0200
FAX: (919) 227-5880

IT IS THE RESPONSIBILITY OF THE ARCHITECT/OWNER TO ENSURE THE HOOD CLEARANCE FROM LIMITED-COMBUSTIBLE AND COMBUSTIBLE MATERIALS IS IN COMPLIANCE WITH LOCAL CODE REQUIREMENTS.

Order Plans