



Ragana Architecture & Design, PLLC
1447 Highway 138, Suite C
Conyers, GA 30012
909-236-1729
www-rad-arch.com

WAVE ENGINEERING
122 W. BLAND ST. SUITE C
CONYERS, GA 30012
909-236-1729
INFO@WAVEENGINEERING.COM
WAVE PROJECT # 19072

EXHAUST FAN INFORMATION - Job#3227534

FAN UNIT NO.	TAG	FAN UNIT MODEL #	CFM	ESP.	RPM	H.P.	B.H.P.	VOLT	FLA	DISCHARGE VELOCITY	WEIGHT (LBS.)	SONES	
1	EF1	DU85HFA	1800	0.900	1302	0.750	0.4290	3	208	2.6	570 FPM	99	14.5
2	EF2	DU85HFA	1700	0.900	1268	0.750	0.3960	3	208	2.6	538 FPM	99	13.8
3	EF3	DU85HFA	1400	0.900	1174	0.750	0.3140	3	208	2.6	443 FPM	99	12
4	BEF	DR10HFA	140	0.400	1308	0.060	0.0440	1	115	1.0		41	4.4

CONDENSER DETAILS

FAN UNIT NO.	TAG	FAN UNIT MODEL #	CONDENSER NO.	TONNAGE	VOLTAGE	PHASE	FREQUENCY	MCA	RLA	MAX FUSE SIZE	MIN WIRE SIZE	SEER
5	MAU1	A2-D.250-20D-MPU	1	5	208-230	3 PHASE	60 Hz	21.4 Amps	17.4 Amps	30 Amps	12 AWG	14
			2	2.5	208-230	3 PHASE	60 Hz	11.2 Amps	9.07 Amps	20 Amps	14 AWG	14

MUA FAN INFORMATION - Job#3227534

FAN UNIT NO.	TAG	FAN UNIT MODEL #	BLOWER	HOUSING	DESIGN CFM		ESP.	RPM	H.P.	B.H.P.	VOLT	FLA	COOLING COIL ENTERING DB TEMP.	COOLING COIL ENTERING WB TEMP.	COOLING COIL LEAVING DB TEMP.	COOLING COIL LEAVING WB TEMP.	COOLING COIL TOTAL CAPACITY	COOLING COIL SENSIBLE CAPACITY	COOLING COIL LATENT CAPACITY	WEIGHT (LBS.)	SONES	BURNER EFFICIENCY(%)	
					MIN	MAX																	
5	MAU1	A2-D.250-20D-MPU	20MF-2-MOD	A2-D.250	2000	3934	0.450	1617	5.000	2.3770	3	208	15.0	92.0°F	75.0°F	78.1°F	69.8°F	81.5 MBH	59.0 MBH	22.5 MBH	1666	16.4	92

GAS FIRED MAKE-UP AIR UNIT(S)

FAN UNIT NO.	TAG	INPUT BTUs	OUTPUT BTUs	TEMP. RISE	REQUIRED INPUT GAS PRESSURE	GAS TYPE
5	MAU1	263236	242177	57 deg F	7 in. w.c. - 14 in. w.c.	Natural

FAN OPTIONS

FAN UNIT NO.	TAG	OPTION (Qty. - Descr.)
1	EF1	1 - Grease Box 1 - Fan Base Ceramic Seal - Installed At Plant - For Grease Ducts
2	EF2	1 - Grease Box 1 - Fan Base Ceramic Seal - Installed At Plant - For Grease Ducts
3	EF3	1 - Grease Box 1 - Fan Base Ceramic Seal - Installed At Plant - For Grease Ducts
4	BEF	1 - 112-BDD Damper 1 - AC Interlock Relay - 24VAC Coil 1 - Motorized Backdraft Damper for A2-D Housing 1 - Low Fire Start 1 - Inlet Pressure Gauge, 0-35" 1 - Manifold Pressure Gauge, -5 to 15" wc 1 - Cooling Thermostat and Relay (Not req for evap)
5	MAU1	1 - 7.5 Ton 2 Circuit (2.5/5) Modular Packaged Cooling Option for Size 2 MUA (2,700 to 4,500 cfm), 208V/230V, 3 phase. Cooling Thermostat or Programmable Stat Required for Proper Operation. 1 - Downturn Plenum for Size 2 DX Coil Module 1 - Separate 120V Wiring Package (Required and used only for DCV or Prewire with VFD) - Three Phase Only

FAN ACCESSORIES

FAN UNIT NO.	TAG	EXHAUST			SUPPLY			
		GREASE CUP	GRAVITY DAMPER	WALL MOUNT	SIDE DISCHARGE	GRAVITY DAMPER	MOTORIZED DAMPER	WALL MOUNT
1	EF1	YES						
2	EF2	YES						
3	EF3	YES						
4	BEF		YES					
5	MAU1						YES	

CURB ASSEMBLIES

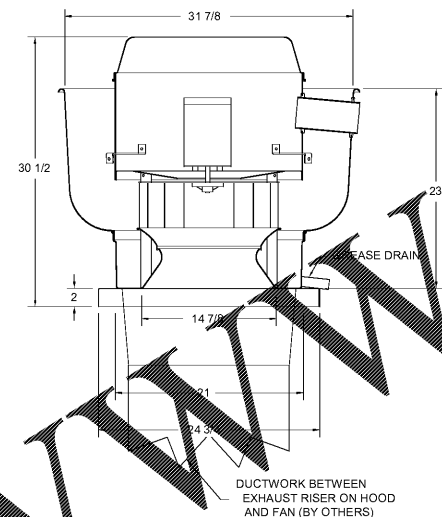
NO.	ON FAN	WEIGHT	ITEM	SIZE
1	# 1	49 LBS	Curb	23,000"W x 23,000"L x 30,000"H Vented Hinged
2	# 2	49 LBS	Curb	23,000"W x 23,000"L x 30,000"H Vented Hinged
3	# 3	49 LBS	Curb	23,000"W x 23,000"L x 30,000"H Vented Hinged
4	# 4	16 LBS	Curb	17,500"W x 17,500"L x 14,000"H
5	# 5	76 LBS	Curb	31,000"W x 145,000"L x 20,000"H Insulated

FAN SOUND INFORMATION

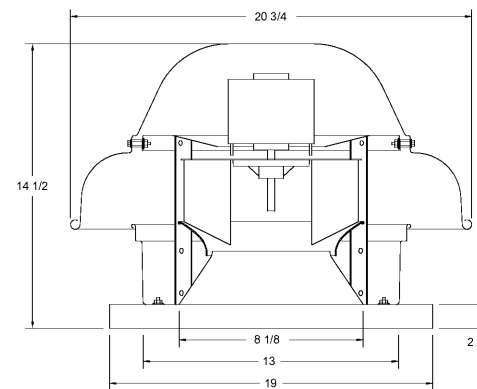
FAN UNIT NO.	MOTOR	RPM	LWA	SONES	DBA	DISTANCE FT	OCTAVE 1	OCTAVE 2	OCTAVE 3	OCTAVE 4	OCTAVE 5	OCTAVE 6	OCTAVE 7	OCTAVE 8
1	Exhaust	1302	77.2	14.5	65.7	5	76.7	79.1	81.5	83.9	86.3	88.6	66.6	59.6
2	Exhaust	1268	76.5	13.8	65	5	76	78.6	81.0	83.4	85.8	68	65.7	58.7
3	Exhaust	1174	74.3	12	62.8	5	76.1	78.6	81.0	83.4	85.8	66.4	63.3	56.3
4	Exhaust	1308	58.6	4.4	47.1	5	76.1	78.6	81.0	83.4	85.8	48.1	45.7	31.9
5	Supply	1617	80	16.4	68.5	5	76.1	78.6	81.0	83.4	85.8	77.9	74.1	64.8

FOR QUESTIONS, CALL THE NASHVILLE REGIONAL OFFICE
4918 MAIN STREET, SUITE 5, SPRING HILL, TN 37174
PHONE: (615) 599-8300
FAX: (919) 227-5960

FANS #1 (EF1), #2 (EF2), #3 (EF3) - DU85HFA EXHAUST FAN



FAN #4 DR10HFA - EXHAUST FAN (BEF)



FEATURES:

- DIRECT DRIVE CONSTRUCTION (NO BELTS/PULLEYS)
- ROOF MOUNTED FANS
- RESTAURANT MODEL
- UL705 AND UL782
- VARIABLE SPEED CONTROL
- INTERNAL WIRING DISCONNECT
- WEATHERPROOF DISCONNECT
- THERMAL OVERLOAD PROTECTION (SINGLE PHASE)
- HIGH HEAT OPERATION RATE (149°C)
- GREASE CLASSIFICATION LISTING

NORMAL TEMPERATURE TEST
EXHAUST FAN MUST OPERATE CONTINUOUSLY WHILE EXHAUSTING AIR AT 300°F (149°C) UNTIL FAN PARTS HAVE REACHED THERMAL EQUILIBRIUM AND WITHOUT ANY DETERIORATING EFFECTS TO THE FAN WHICH WOULD CAUSE UNSAFE OPERATION.

ABNORMAL FLARE-UP TEST
EXHAUST FAN MUST OPERATE CONTINUOUSLY WHILE EXHAUSTING BURNING GREASE VAPORS AT 600°F (316°C) FOR A PERIOD OF 15 MINUTES WITHOUT THE FAN BECOMING DAMAGED TO ANY EXTENT THAT COULD CAUSE AN UNSAFE CONDITION.

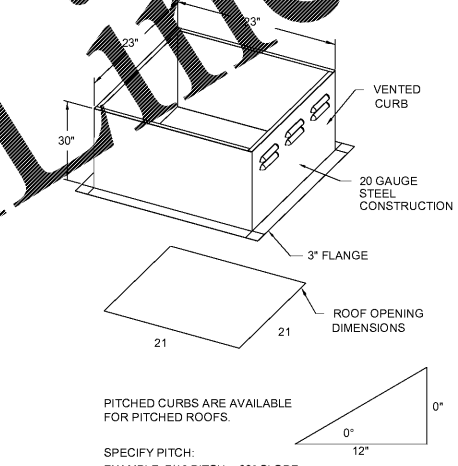
OPTIONS

- GREASE BOX
- FAN BASE CERAMIC SEAL - INSTALLED AT PLANT - FOR GREASE DUCTS

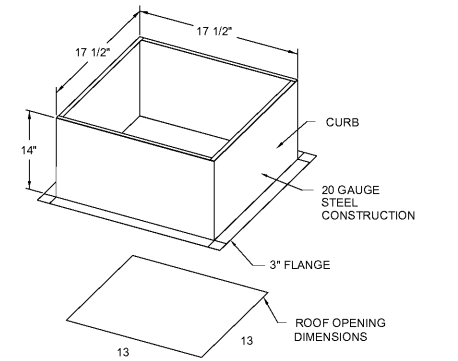
FEATURES:

- DIRECT DRIVE CONSTRUCTION (NO BELTS/PULLEYS)
- ROOF MOUNTED FANS
- UL705
- SAFETY DISCONNECT
- STANDARD BIRD SCREEN
- SPEED CONTROL

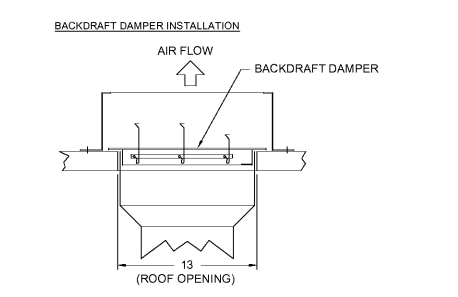
- OPTIONS
- 112-BDD DAMPER



PITCHED CURBS ARE AVAILABLE FOR PITCHED ROOFS.
SPECIFY PITCH:
EXAMPLE: 7/12 PITCH = 30° SLOPE



PITCHED CURBS ARE AVAILABLE FOR PITCHED ROOFS.
SPECIFY PITCH:
EXAMPLE: 7/12 PITCH = 30° SLOPE



#ATL034
CONYERS, GA



3/22/18

ISSUED FOR CONSTRUCTION
1447 Highway 138
Conyers, Georgia 30012
Rockdale County, Georgia

Revisions		
#	Date	Description

Project Number: 19028
Issued for: CONSTRUCTION
Issue Date: 03/22/18

DRAWING TITLE
FAN SELECTIONS

SHEET NUMBER
M102

Order Plans @

WWW.DIline.com