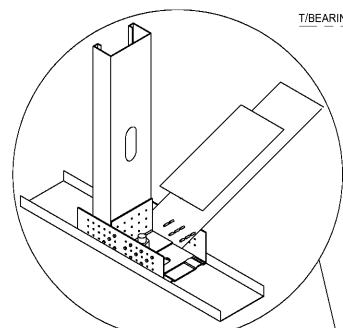
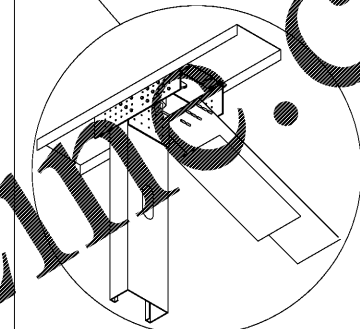


1 TYPICAL SHEARWALL PANEL NAILING  
NO SCALE



2 SINGLE STACK SHEAR WALL  
3/4" = 1'-0"

CONNECTION TO FOUNDATION: (1) 7/8" MECHANICAL ANCHOR  
EMBEDMENT DEPTH: 7.875"  
STRAP TRACK SCREWS: (6) #12 SCREWS PER STRAP



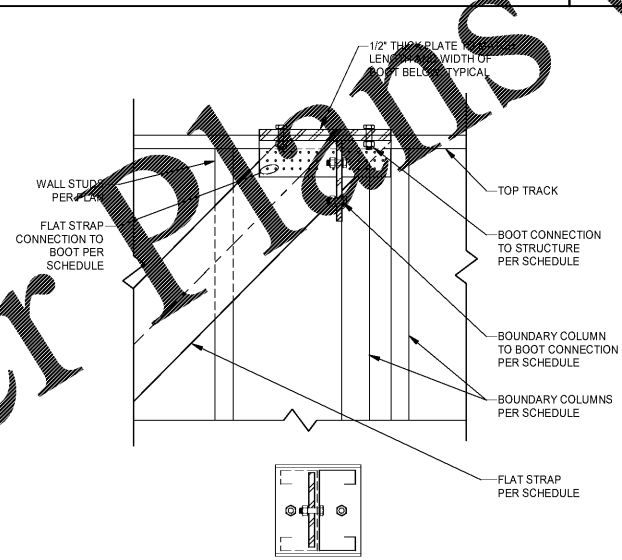
3 SHEARWALL SCHEDULE

SHEARWALL SCHEDULE							
SHEARWALL MARK (NOTE 1)	PANEL NAILING (NOTE 2)			BLOCKING REQUIRED (NOTE 3)	QUANTITY AND TYPE OF HOLD DOWN OR STRAP TIE AT EACH END (NOTE 4)	# OF END POSTS (NOTE 5)	SILL PLATE ANCHOR BOLTS (A36) (NOTE 6)
	NAIL SIZE	EDGE SUPPORT NAIL SPACING	INTERMEDIATE SUPPORT NAIL SPACING				
SW1	8d	3" O.C.	12" O.C.	YES	(1) HHQ14-SDS2.5	5	1" - @ 16" O.C.
SW2	8d	6" O.C.	12" O.C.	YES	(1) HDQ8-SDS3	3	3/4" - @ 32" O.C.
SW3	8d	6" O.C.	12" O.C.	YES	(1) HDQ8-SDS3	4	3/4" - @ 32" O.C.

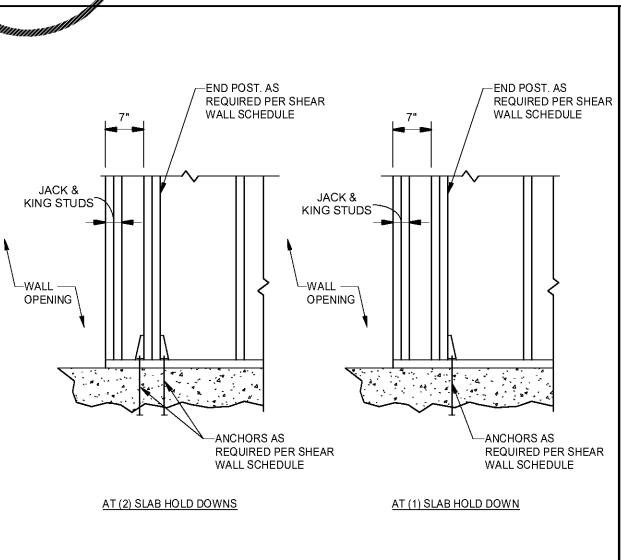
**SHEARWALL SCHEDULE NOTES:**

- SHEARWALL MARKS ARE SHOWN ON PLAN. EACH MARK REPRESENTS THE DESIGN FOR ONE STORY OF SHEARWALL STARTING FROM THE FLOOR MARK SHOWN - TO THE FLOOR (OR) ROOF ABOVE.
- ALL EXTERIOR PLYWOOD SHEARWALL CONSTRUCTION IS 7/16" APA SPAN RATED 32/16 SHEATHING ON 1 SIDE OF STUD WALL.
- ALL NAILS SHALL BE #4 COMMON WIRE NAILS W/ MINIMUM DIAMETER = 0.131 IN AND MINIMUM PENETRATION INTO MAIN MEMBER = 1.38"
- ATTACH EDGE SUPPORT NAILS TO STUDS ALONG ALL FOUR EDGES OF EACH PANEL AT SPACING SHOWN IN SCHEDULE. SEE "TYPICAL SHEARWALL PANEL NAILING" THIS SHEET.
- WHERE EDGE SUPPORT NAILING IS 2" O/C, FRAMING AT ADJOINING PANEL EDGES MUST BE 3" NOMINAL OR WIDER (DOUBLE STUDS) AND NAILS SHALL BE STAGGERED.
- ALL FOUR SIDES OF EACH PANEL MUST BE CONTINUOUSLY BLOCKED. (TYP.)
- ANCHOR BOLTS FOR EACH HOLD DOWN SHALL BE AS FOLLOWS:
 

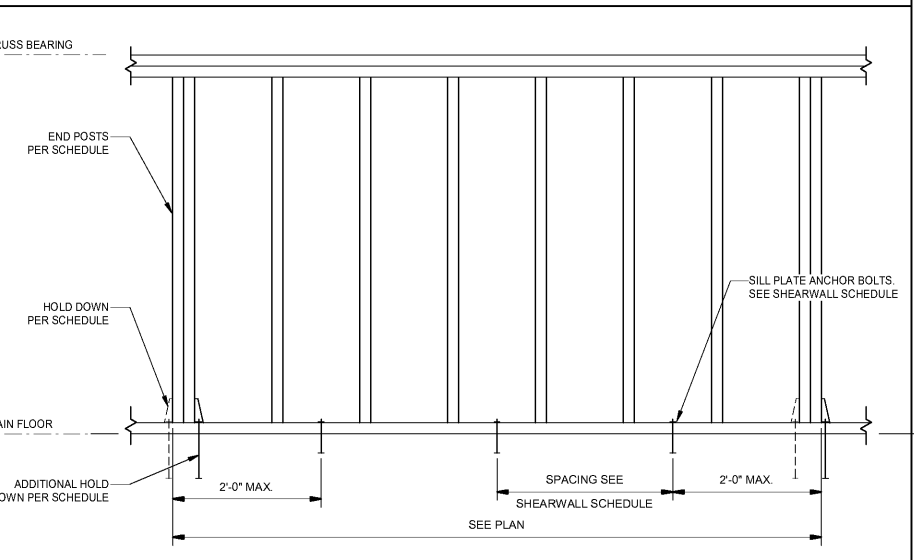
<b>HOLD DOWNS</b>	<b>HOLD DOWN ANCHOR BOLTS</b>
HDQ8-SDS3	7/8" DIA. SIMPSON PA87 EMBED = 6"
HHQ14-SDS2.5	1" DIA. SIMPSON PA88 EMBED = 8"
- ALL END POSTS SHALL BE SPRUCE PINE FIR No. 2. NAILS USED TO BUILD UP STUDS SHALL BE 10d COMMON WIRE NAILS W/ MINIMUM DIAMETER = 0.148 IN. AND MINIMUM LENGTH = 3IN. SEE NAILING SCHEDULE BELOW.
- SILL PLATE ANCHOR BOLTS SHALL HAVE MIN. EMBED = 7" SEE TYPICAL SHEARWALL CONNECTION SHEET FOR ADDITIONAL INFORMATION.



4 SHEARWALL CONNECTION DETAIL  
1 1/2" = 1'-0"



5 HOLD DOWN DETAIL AT OPENINGS  
NO SCALE

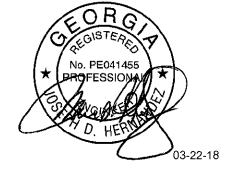


6 TYPICAL SHEARWALL ELEVATION  
NO SCALE

COMPONENTS		
COLUMN	BOOT	BRACING
550C / STW250 - 97mil, 50 ksi	LIGHT BOOT	4" x 54 mils FLAT STRAP, Fy = 50 ksi (2) EA. FACE, (4) TOTAL

**RAD**  
Ragana Architecture & Design, LLC  
145A Scalesby Road, Charlotte, NC 28209  
T. 704.363.1111 www.rad-va.com

**JDH STRUCTURAL ENGINEERS, PLLC**  
1015 GREENTREE WAY, SUITE B  
CORNELIUS, NORTH CAROLINA 28031  
phone 704.997.7072 fax 980.312.6520  
www.jdherenters.com  
JDH PROJECT # 180205



#ATL 034  
CONYERS, GA



1447 Highway 138  
Conyers, Georgia 30012  
Rockdale County, Georgia

Revisions		
#	Date	Description

Project Number: 18028  
Issued for: CONSTRUCTION  
Issue Date: 03-22-18

DRAWING TITLE  
**TYPICAL DETAILS**

SHEET NUMBER  
**S301**

Order Plans

www.dilinc.com