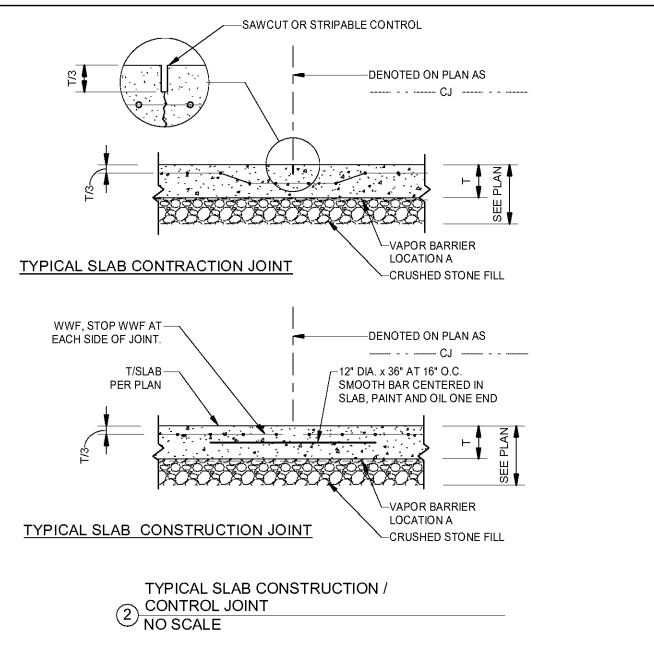
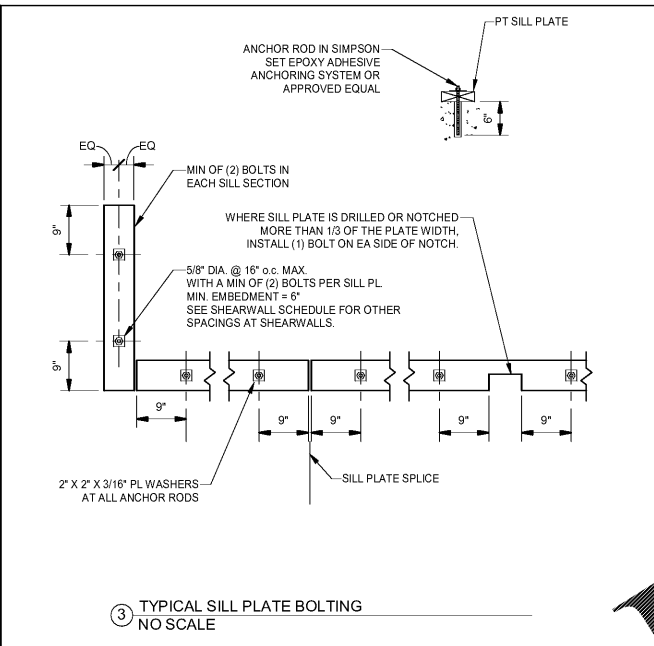


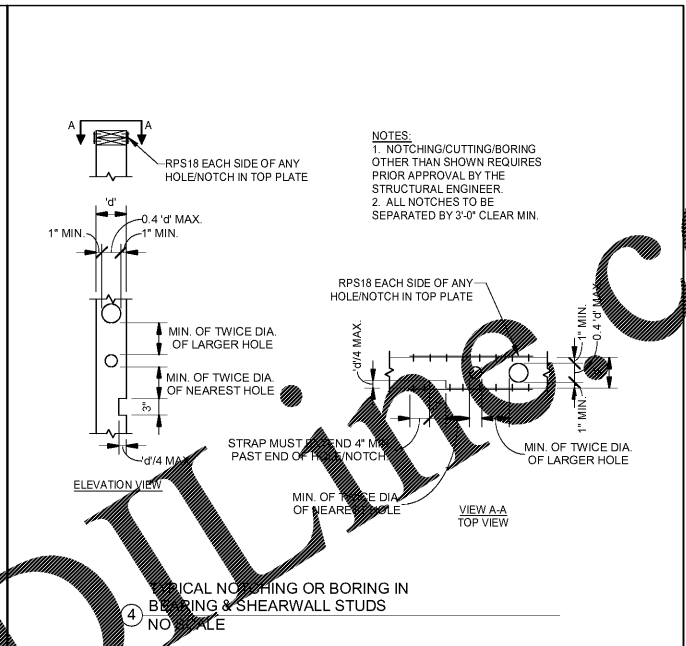
1 GRAVITY COLUMN FOOTING DETAIL  
NO SCALE



2 TYPICAL SLAB CONSTRUCTION /  
CONTROL JOINT  
NO SCALE



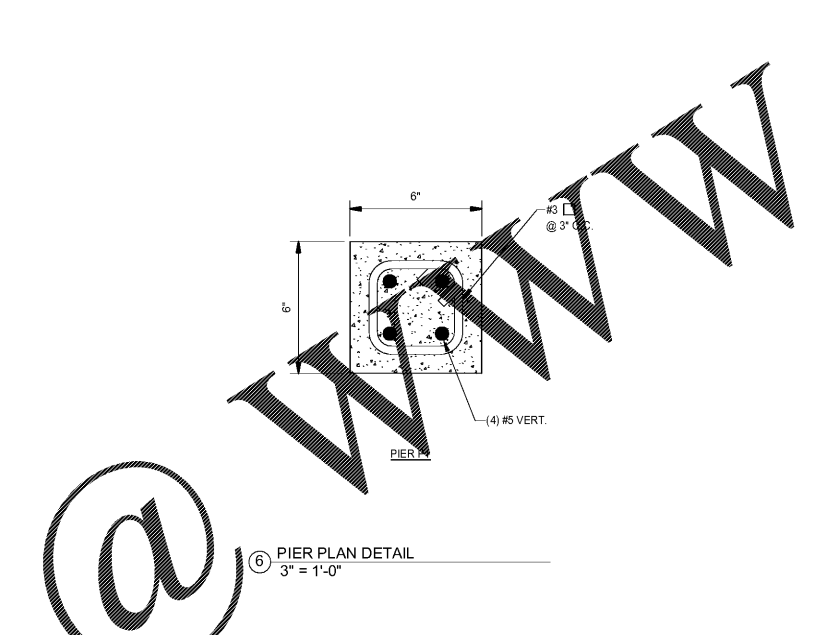
3 TYPICAL SILL PLATE BOLTING  
NO SCALE



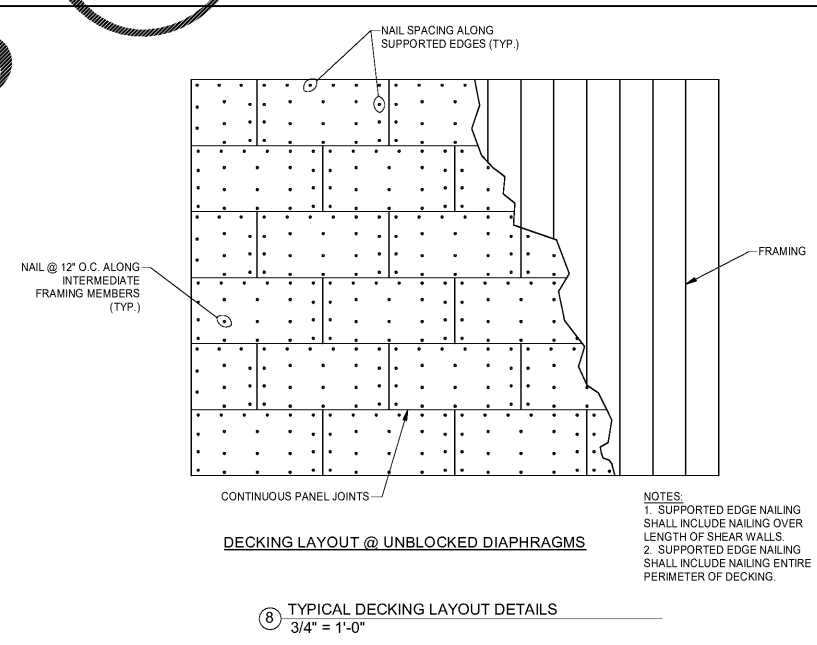
4 TYPICAL NOTCHING OR BORING IN  
BEARING & SHEARWALL STUDS  
NO SCALE

CONNECTION, LOCATION	NAIL	NUMBER OR SPACING
BAND JOIST TO SILL OR TOP PLATE, TOE NAIL	8d	6" o.c.
JOIST TO BAND JOIST, FACE NAIL	16d COMMON	3
JOIST TO SILL OR GIRDER, TOE NAIL	8d COMMON	3
BRIDGING TO JOIST, TOE NAIL EACH END	8d COMMON	2
LEDGER STRIP	16d COMMON	3 AT EACH JOIST
1x6 OR LESS SUBFLOOR TO EACH JOIST, FACE NAIL	8d COMMON	2
OVER 1x6 SUBFLOOR TO EACH JOIST, FACE NAIL	8d COMMON	3
2-INCH SUBFLOOR TO JOIST OR GIRDER, BLIND AND FACE NAIL	16d COMMON	2
SOLE PLATE TO JOIST OR BLOCKING, FACE NAIL	16d COMMON	16" O.C.
TOP OR SOLE PLATE TO STUD, END NAIL	16d COMMON	2
STUD TO SOLE PLATE, TOE NAIL	8d COMMON	4
DOUBLED STUDS, FACE NAIL	10d COMMON	24" O.C.
DOUBLED TOP PLATES, FACE NAIL	10d COMMON	16" O.C.
TOP PLATES, LAP AND INTERSECTIONS, FACE NAIL	16d COMMON	2
CONTINUOUS HEADER, TWO PIECES	16d COMMON	16" O.C. ALONG EDGE
CEILING JOISTS TO PLATE, TOENAIL	8d COMMON	3
CONTINUOUS HEADER TO STUD, TOENAIL	8d COMMON	4
CEILING JOISTS, LAPS OVER PARTITIONS, FACE NAIL	16d COMMON	3
CEILING JOISTS TO PARALLEL RAFTERS, FACE NAIL	16d COMMON	3
RAFTER TO PLATE, TOE NAIL	8d COMMON	3
1-INCH BRACE TO EACH STUD AND PLATE, FACE NAIL	8d COMMON	2
WIDER THAN 1x8 SHEATHING TO EACH BEARING, FACE NAIL	8d COMMON	3
BUID-UP CORNER STUDS	16d COMMON	24" O.C.
BUIT-UP GIRDER OR BEAMS, THREE MEMBERS	20d COMMON	32" O.C. TOP AND BOTTOM MEMBERS OPPOSITE SIDES
2" PLANKS, AT EA. BEARING	16d COMMON	2
COLLAR TIE TO RAFTER, FACE NAIL	10d COMMON	3
JACK RAFTER TO HIP, TOE NAIL OR FACE NAIL	10d COMMON 16d COMMON	3 2
ROOF RAFTER TO 2-by RIDGE BEAM, TOE NAIL OR FACE NAIL	16d COMMON 16d COMMON	2 2
JOIST TO BAND JOIST, FACE NAIL	16d COMMON	3

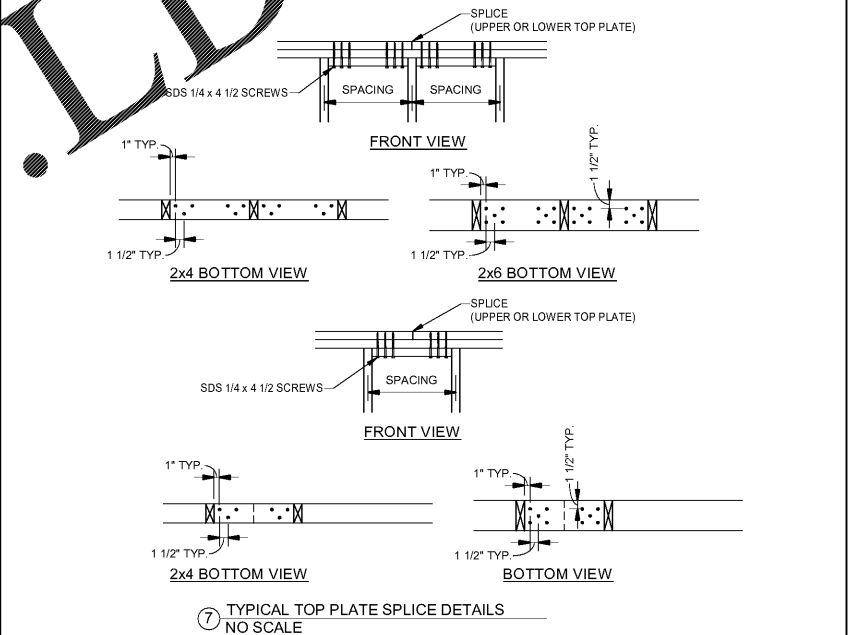
5 NAIL FASTENING SCHEDULE



6 PIER PLAN DETAIL  
3" = 1'-0"



8 TYPICAL DECKING LAYOUT DETAILS  
3/4" = 1'-0"



7 TYPICAL TOP PLATE SPLICE DETAILS  
NO SCALE

**RAD**  
Ragana Architecture & Design, LLC  
145A Scalesby Road, Charlotte, NC 28209  
T. 704.366.1111 www.rad-arch.com

**JDH STRUCTURAL ENGINEERS, PLLC**  
1015 GREENTREE WAY, SUITE B  
CORNELIUS, NORTH CAROLINA 28031  
phone 704.997.7072 fax 980.312.6520  
www.jdhengineers.com  
JDH PROJECT # 180205

REGISTERED PROFESSIONAL ENGINEER  
No. PE041455  
D. HERN

03-22-18

#ATL 034  
CONYERS, GA

**Krystal**

1447 Highway 138  
Conyers, Georgia 30012  
Rockdale County, Georgia

Revisions		
#	Date	Description

Project Number: 18028  
Issued for: CONSTRUCTION  
Issue Date: 03-22-18

DRAWING TITLE  
**TYPICAL DETAILS**

SHEET NUMBER  
**S300**

Order Plans