

#ATL034  
 CONYERS, GA

**Krystal**

ISSUED FOR  
 CONSTRUCTION

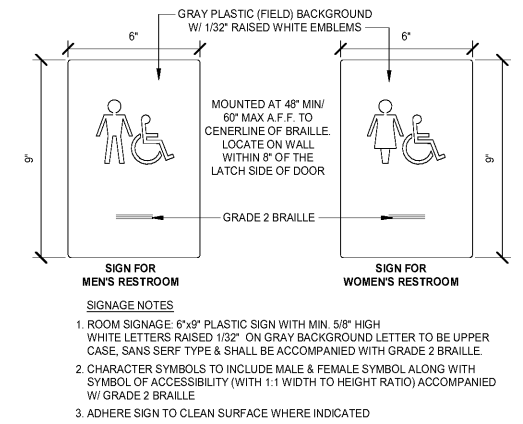
1447 Highway 138  
 Conyers, Georgia 30012  
 Rockdale County, Georgia

Revisions		
#	Date	Description

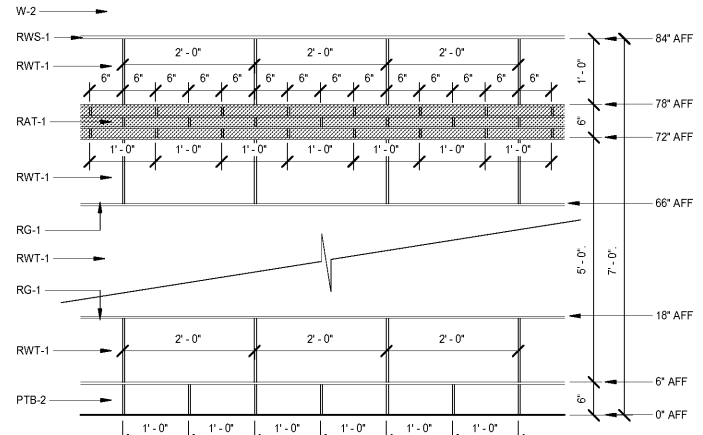
Project Number: 18028  
 Issued for: CONSTRUCTION  
 Issue Date: 03/22/18

DRAWING TITLE  
**TOILET ROOMS  
 PLANS & DETAILS**

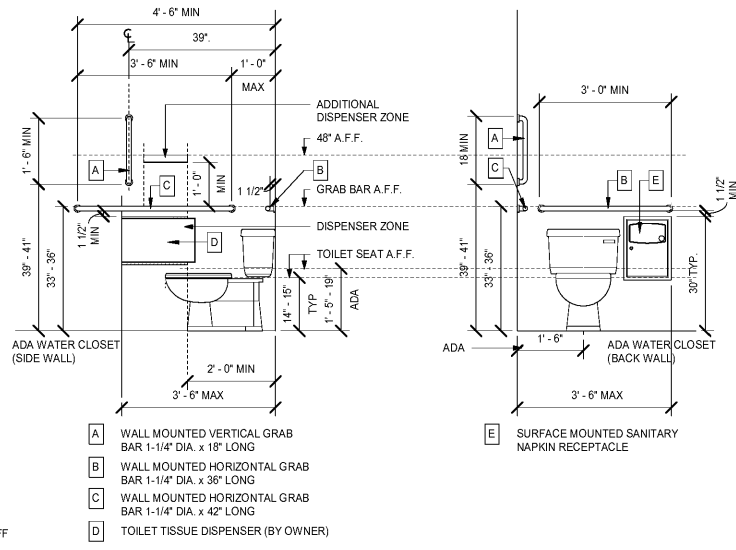
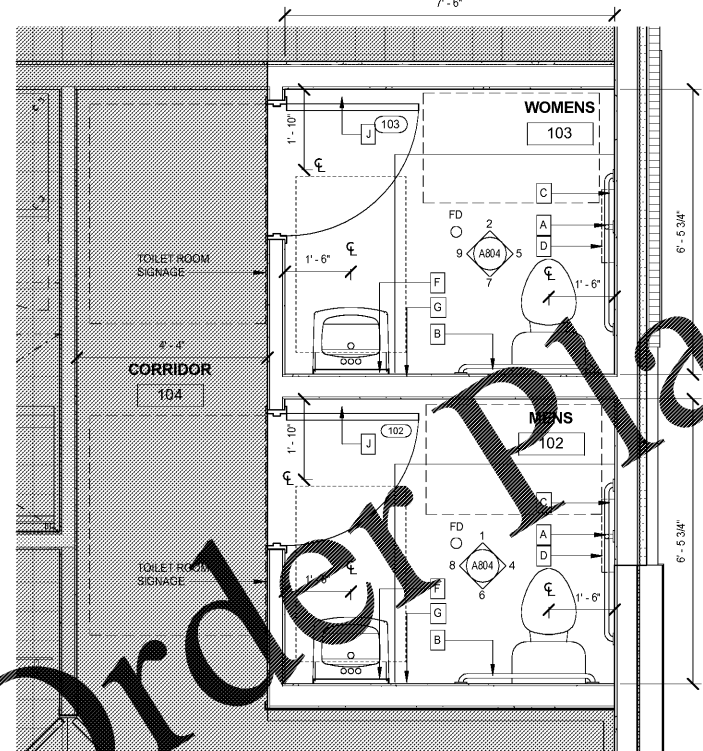
SHEET NUMBER  
**A804**



**12 TOILET ROOM SIGNAGE**  
 SCALE: 3/8" = 1'-0"



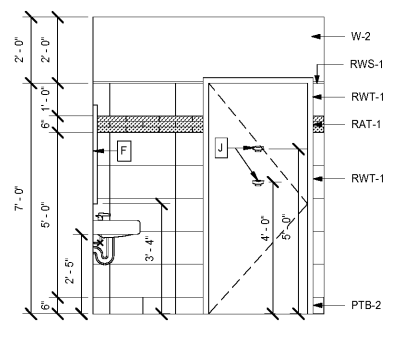
**11 DETAIL - TILE PATTERN**  
 SCALE: 3/4" = 1'-0"



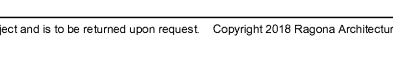
**TOILET ACCESSORY NOTES**

- G.C. TO PROVIDE FIRE RETARDANT TREATED BLOCKING IN THE WALL BEHIND ALL TOILET ACCESSORIES, ALL GRAB BARS AND THEIR FASTENERS.
- CONTROLS & OPERATING MECHANISMS OF TOILET ROOM ACCESSORIES SHALL BE OPERABLE BY A 5 LB. MAX FORCE.
- CLEARANCE FROM WALL TO FIXTURES OR ACCESSORIES SHOWN ON THE TOILET ACCESSORY LEGEND ARE FROM FINISHED SURFACE OF WALL, NOT FROM WALL STUDS.
- FLUSH CONTROL VALVES FOR THE TOILET SHALL BE MOUNTED ON THE WIDE SIDE OF THE TOILET AREA AND SHALL BE ACCESSIBLE BELOW THE GRAB BAR.
- CONTRACTOR TO COORDINATE ELECTRICAL REQUIREMENTS FOR OPTIONAL HAND DRYERS.

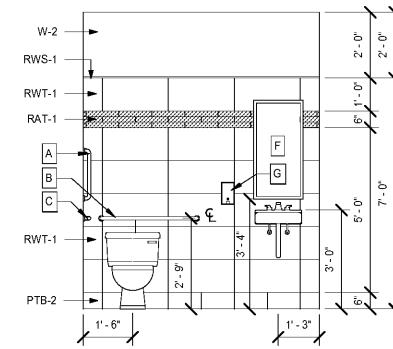
**9 WOMEN - WEST**  
 SCALE: 3/8" = 1'-0"



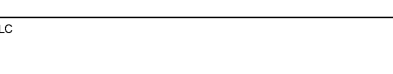
**8 MEN - WEST**  
 SCALE: 3/8" = 1'-0"



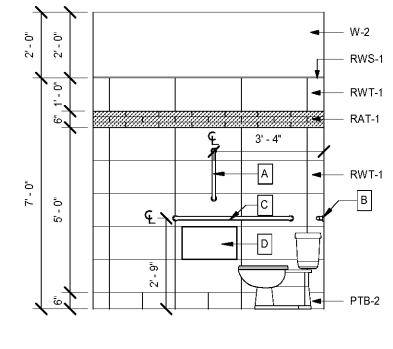
**7 WOMEN - SOUTH**  
 SCALE: 3/8" = 1'-0"



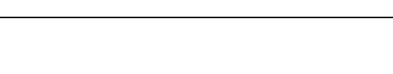
**6 MEN - SOUTH**  
 SCALE: 3/8" = 1'-0"



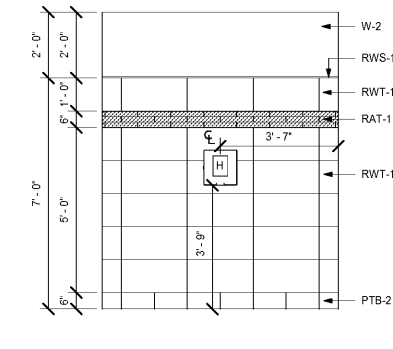
**5 WOMEN - EAST**  
 SCALE: 3/8" = 1'-0"



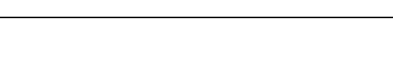
**4 MEN - EAST**  
 SCALE: 3/8" = 1'-0"



**2 WOMEN - NORTH**  
 SCALE: 3/8" = 1'-0"



**1 MEN - NORTH**  
 SCALE: 3/8" = 1'-0"



**3 ACCESSORY MOUNTING HEIGHTS**  
 SCALE: 1/2" = 1'-0"

**TOILET ACCESSORY SCHEDULE**

TOILET ACCESSORY ITEM	MANUFACTURER	MODEL #	REMARKS
A 18" GRAB BAR	BRADLEY	817-2000 W/ 899-015 X 18" ANCH. PL	(2) 899-014 MOUNTING KITS W/ NON-REMOVABLE STAINLESS STEEL FASTENERS
B 36" GRAB BAR	BRADLEY	817-001 W/ 899-015 X 36" ANCH. PL	(2) 899-014 MOUNTING KITS W/ NON-REMOVABLE STAINLESS STEEL FASTENERS
C 42" GRAB BAR	BRADLEY	817-001-42 W/ 899-015 X 42" ANCH. PL	(2) 899-014 MOUNTING KITS W/ NON-REMOVABLE STAINLESS STEEL FASTENERS
D TOILET PAPER HOLDER	BY KRystal	R4000	SAN JAMAR - R4000 - TWIN 9" JBT DISPENSER
E SANITARY NAPKIN DISPOSAL	BY KRystal	42015 (SURFACE)	-
F MIRROR	BRADLEY	740 18 X 36	(2) 899-014 MOUNTING KITS W/ NON-REMOVABLE STAINLESS STEEL FASTENERS
G SOAP DISPENSER	BY KRystal	-	-
H PAPER TOWEL DISPENSER	BY KRystal	-	-
I COAT HOOK	BRADLEY	9114	BACK OF EACH DOOR - TOP AT 48" A.F.F.
J HAND DRYER - OPTIONAL	BRADLEY	-	-