

Revisions		
#	Date	Description

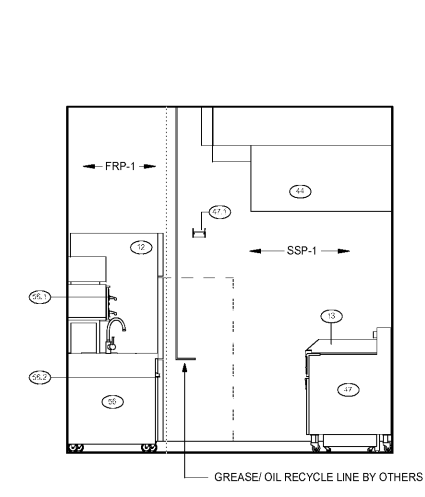
Project Number:	18028
Issued for:	CONSTRUCTION
Issue Date:	03/22/18

DRAWING TITLE
**INTERIOR
ELEVATIONS**

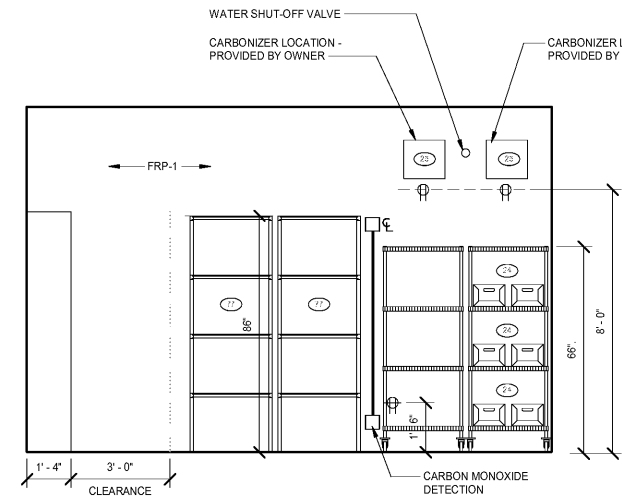
SHEET NUMBER
A803

ELEVATION NOTES

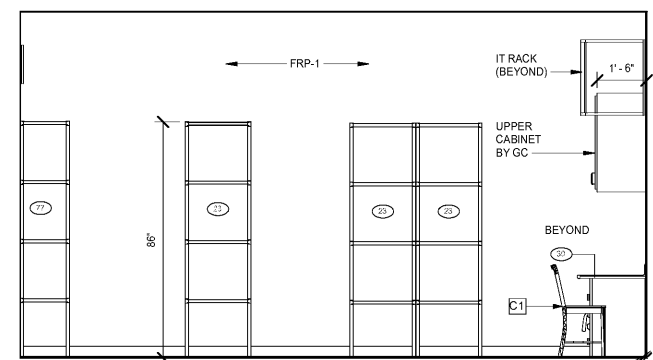
- Ⓢ POWER - SEE ELEC. FOR TYPE OF CONNECTION
 - Ⓣ DATA - SEE ELECTRICAL
 - ⓈⓉ POWER/ DATA - SEE ELECTRICAL
- SEE PLUMBING, MECHANICAL AND ELECTRICAL DRAWINGS FOR ADDITIONAL INFORMATION



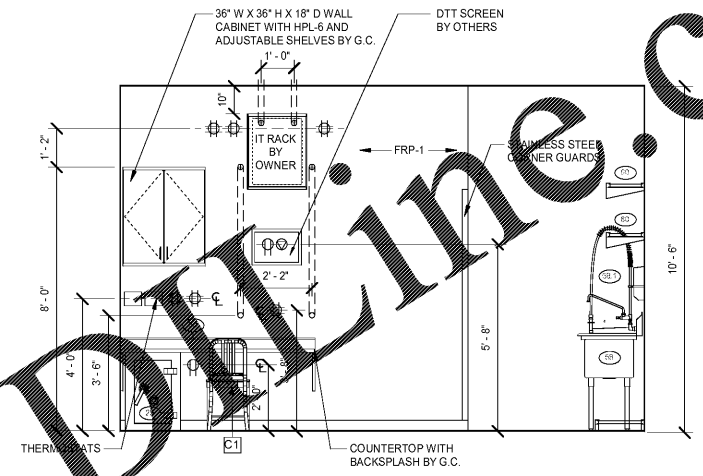
10 FRY STATION
SCALE: 3/8" = 1'-0"



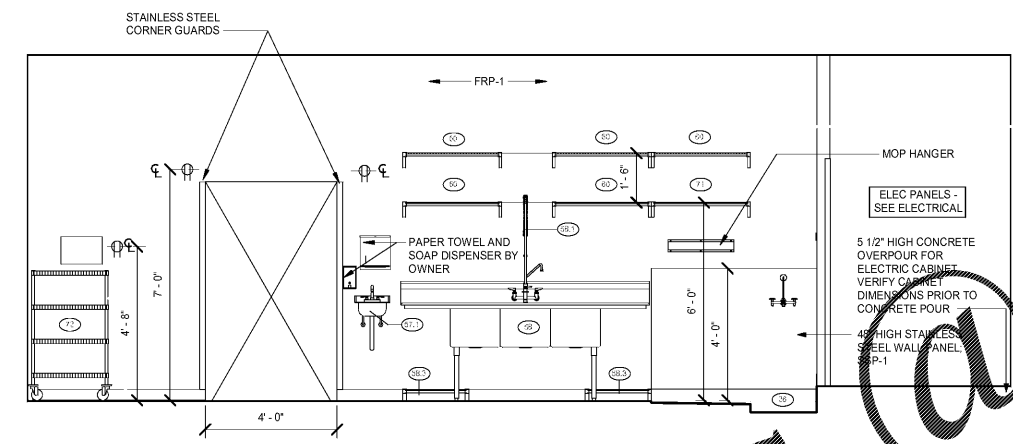
9 DRY STORAGE
SCALE: 3/8" = 1'-0"



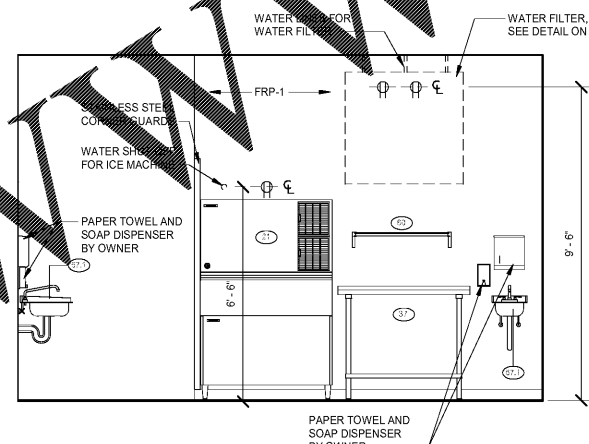
6 DRY STORAGE
SCALE: 3/8" = 1'-0"



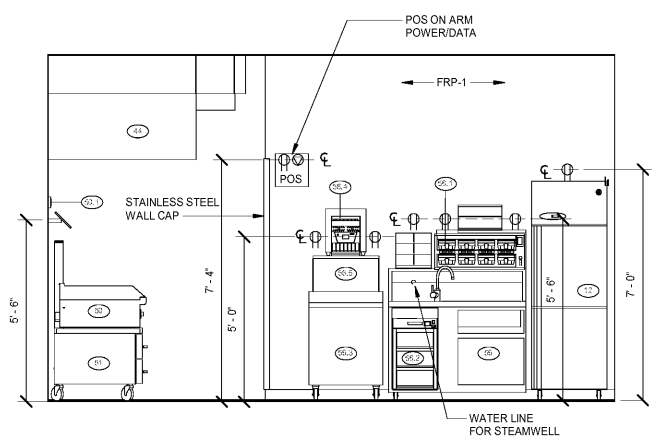
3 DRY STORAGE
SCALE: 3/8" = 1'-0"



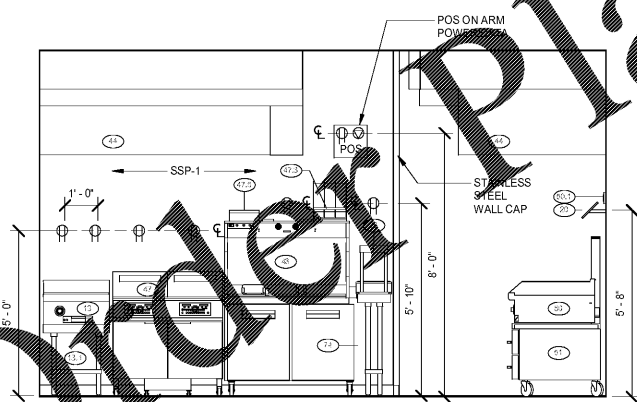
8 DISH WASHING
SCALE: 3/8" = 1'-0"



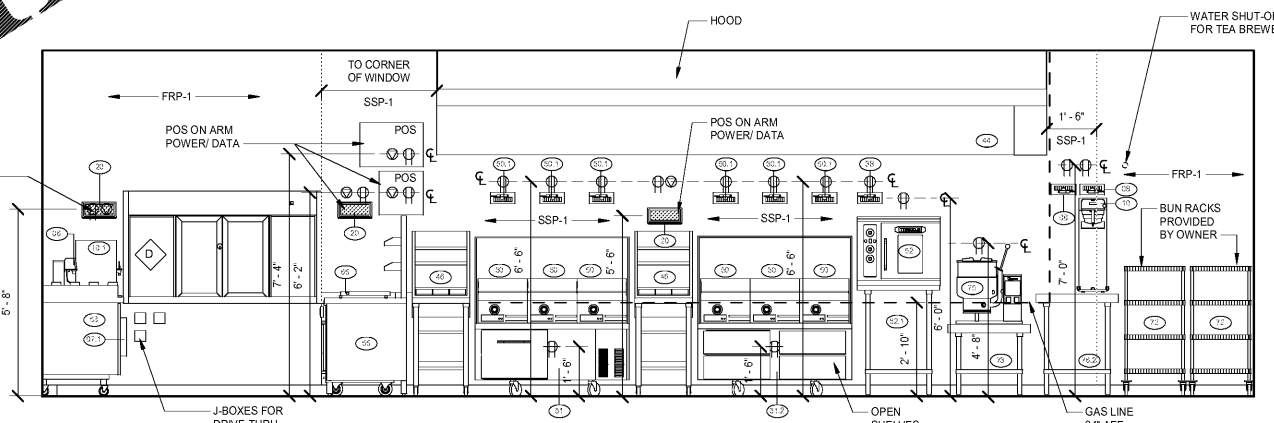
5 PREP LINE
SCALE: 3/8" = 1'-0"



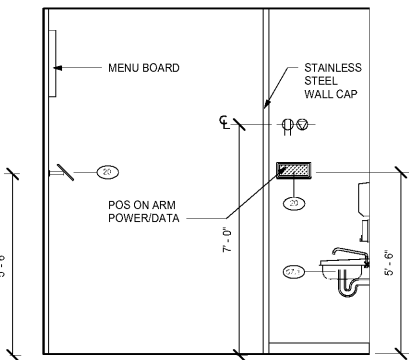
2 ENTREE STATION
SCALE: 3/8" = 1'-0"



7 FRY STATION
SCALE: 3/8" = 1'-0"



4 PREP LINE
SCALE: 3/8" = 1'-0"



1 DRIVE-THRU
SCALE: 3/8" = 1'-0"