

#ATL034
CONYERS, GA

Krystal

ISSUED FOR
CONSTRUCTION

1447 Highway 138
Conyers, Georgia 30012
Rockdale County, Georgia

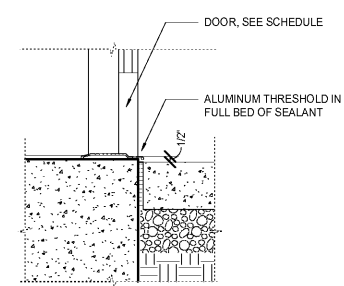
Revisions		
#	Date	Description

Project Number: 18028
Issued for: CONSTRUCTION
Issue Date: 03/22/18

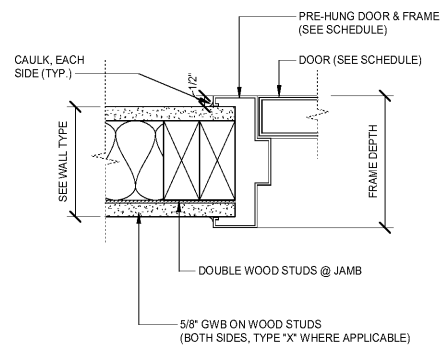
DRAWING TITLE
DOOR & WINDOW SCHEDULES

SHEET NUMBER
A601

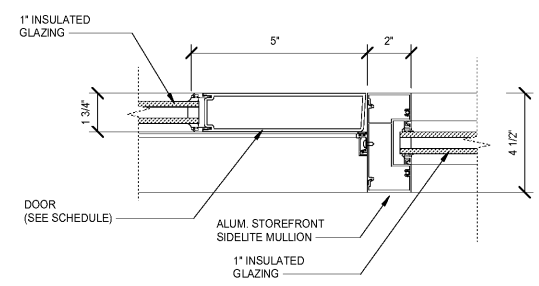
10 DOOR THRESHOLD
SCALE: 1 1/2" = 1'-0"



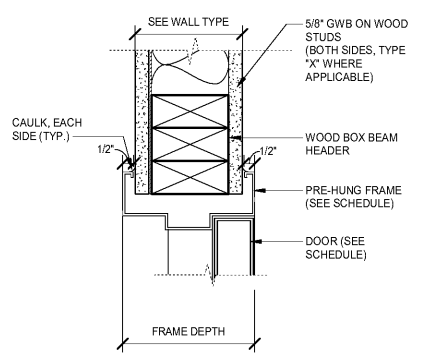
9 DOOR JAMB
SCALE: 3" = 1'-0"



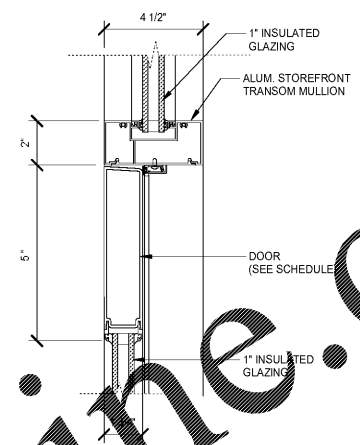
8 DOOR JAMB
SCALE: 3" = 1'-0"



7 DOOR HEAD
SCALE: 3" = 1'-0"



6 DOOR HEAD
SCALE: 3" = 1'-0"



DOOR SCHEDULE									
DOOR MARK	TYPE	WALL TYPE	DIMENSIONS		DOOR			HARDWARE	COMMENTS
			WIDTH	HEIGHT	JAMB	THRESHOLD	HEAD		
100A	A	SF	3'-0"	7'-0"	6 / A601	8 / A601	10 / A601	HW-01	YKK STOREFRONT SYSTEM
100B	A	SF	3'-0"	7'-0"	6 / A601	8 / A601	10 / A601	HW-01	YKK STOREFRONT SYSTEM
102	C	W1	3'-0"	7'-0"	7 / A601	9 / A601	NA	HW-02	PREHUNG MARLITE 500 SERIES - SEE FINISH SCHEDULE
103	C	W1	3'-0"	7'-0"	7 / A601	9 / A601	NA	HW-02	PREHUNG MARLITE 500 SERIES - SEE FINISH SCHEDULE
105	B	W1	3'-0"	3'-4"	-	-	MFG NA	HW-03	ELIASON GATE - P11 PLUS GRAY THERMOPLASTIC
109	D	KOLPAK	3'-6"	7'-6"	MFG	MFG	10 / A601	HW-04	DOOR PER MANUFACTURER
110	E	KOLPAK	2'-10"	8'-0"	MFG	MFG	NA	MANUF.	DOOR PER MANUFACTURER
111	E	KOLPAK	2'-10"	8'-0"	MFG	MFG	NA	MANUF.	DOOR PER MANUFACTURER
112A	F	EXT GATE	8'-1"	8'-0"	MFG	MFG	NA	MANUF.	PAIR OF GATES / TREX / WITH CANE BOLT
112B	F	EXT GATE	8'-1"	8'-0"	MFG	MFG	1NA	MANUF.	PAIR OF GATES / TREX / WITH CANE BOLT

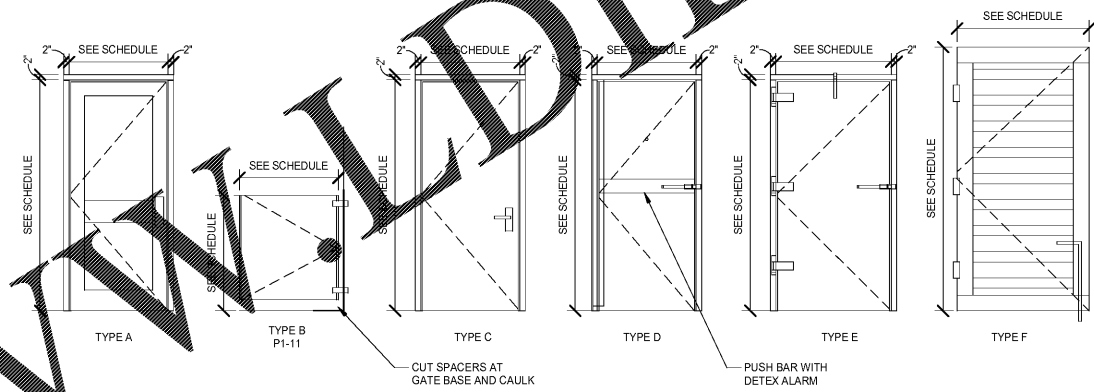
HARDWARE NOTES

- ALL HARDWARE SHALL BE FURNISHED AND INSTALLED BY THE GC UNLESS NOTED OTHERWISE
- ALL LOCKS TO BE SCHLAGE - SUPPLIED AND INSTALLED BY GC. ALL EXTERIOR LOCKS TO BE PROVIDED WITH CONSTRUCTION CORES. ALL PERMANENT CORES TO BE KEYPED ALIKE.
- MOUNT DOOR CLOSERS ON TOILET ROOM SIDE ONLY.

DOOR HARDWARE SCHEDULE

HW-01:	ALUMINUM STOREFRONT	HW-03:	ELIASON GATE
QTY. DESCRIPTION 1 SET BUTTS 1 EA LOCK 1 EA CLOSER 1 EA THRESHOLD 1 EA DOOR STOP 1 EA PUSH/PULL PROVIDE A SIGN STATING THIS DOOR TO REMAIN UNLOCKED DURING BUSINESS HOURS	ROTON CONT. HINGE TO MATCH DOOR MAXIMUM SECURITY LOCK 35-152, THUMB TURNS INSIDE AND CYLINDERS @ EXTERIOR OF DOORS NORTON CLP85-01-DA-SNB-DELAYED ACTION CLOSER, ALUMINUM FINISH KAWNEER NO. 69-139 #10 MILL FINISH FLR STOP - QUALITY 433ES KAWNEER STYLE RADIUS	QTY. DESCRIPTION 1 SET ELIASON GATE P11 - PLUS EASY SWING HINGE SYSTEM	EXTERIOR DOOR FROM WALK-IN TO EXTERIOR
HW-02: QTY. DESCRIPTION 1 SET BUTTS 1 EA LOCK 1 EA CLOSER PROVIDE A 3/4" UNDERCUT	MARLITE PRE-HUNG DOORS 1 1/2" PR MCKINNEY MODERNE #TA2731, 4 1/2" X 4" X US26D SCHLAGE (PASSAGE) ND105 X ATH X 626 FIN NORTON CLP85-01-DA-SNB-DELAYED ACTION CLOSER, US26D FINISH	HW-04: QTY. DESCRIPTION 1 EA HINGE 1 EA PEEP HOLE 1 EA JULL 1 EA PUSH 1 EA SEAL HARDWARE BY THE MANUFACTURER	EXTERIOR DOOR FROM WALK-IN TO EXTERIOR CONTINUOUS HINGE KEEP HOLE FINGER PULL - EXTERIOR PUSH BAR W/ DETEX ALARM CONTINUOUS WEATHERSTRIPPING

5 DOOR & FRAME TYPES
SCALE: 3/8" = 1'-0"

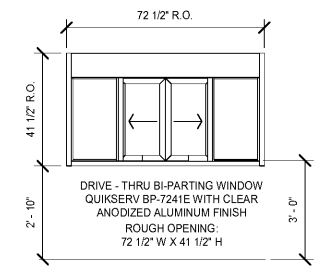


GLAZING SCHEDULE

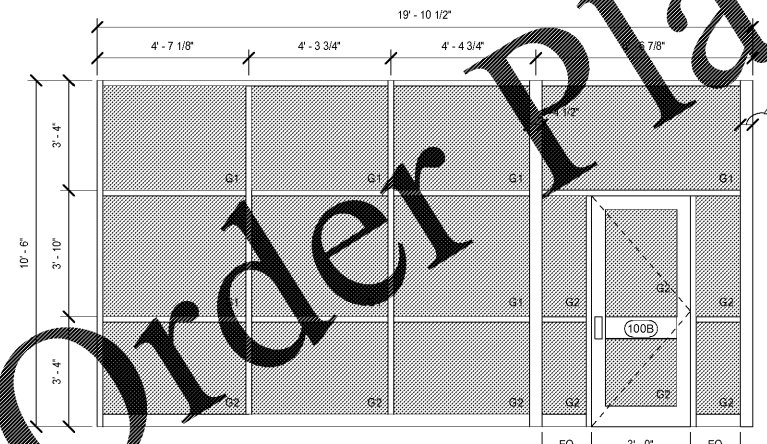
EXTERIOR STANDARD GLAZING		EXTERIOR TEMPERED GLAZING	
G1	OUTBOARD LITE: • Glass Type: Clear Float Glass • Thickness: 1/4" • Strength: Annealed • Coating (Low E): Guardian SunGuard SNX 62/27 on Surface #2 AIR SPACE: • Thickness: 1/2" • Gas Fill: Air INBOARD LITE: • Glass Type: Clear Float Glass • Thickness: 1/4" • Strength: Annealed	G2	OUTBOARD LITE: • Glass Type: Clear Float Glass • Thickness: 1/4" • Strength: Fully Tempered Safety Glass • Coating (Low E): Guardian SunGuard SNX 62/27 on Surface #2 AIR SPACE: • Thickness: 1/2" • Gas Fill: Air INBOARD LITE: • Glass Type: Clear Float Glass • Thickness: 1/4" • Strength: Fully Tempered Safety Glass

GLASS AND GLAZING SHALL CONFORM WITH THE CURRENT LOCAL CODE(S), AND WITH U.S. CONSUMER PRODUCT SAFETY COMMISSION REQUIREMENTS. GLAZED OPENINGS LESS THAN 18 INCHES ABOVE ADJACENT FLOOR SHALL BE TEMPERED GLASS APPROVED FOR IMPACT HAZARD.

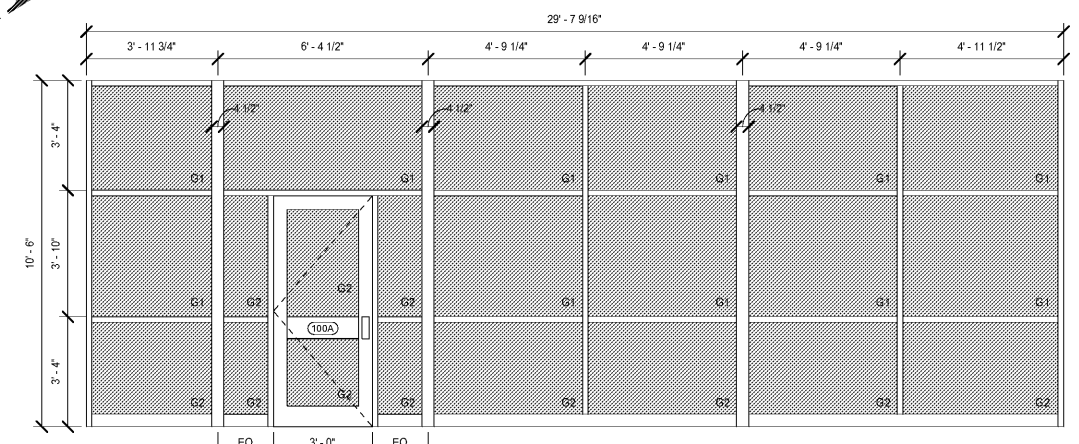
4 WINDOW TYPE D
SCALE: 3/8" = 1'-0"



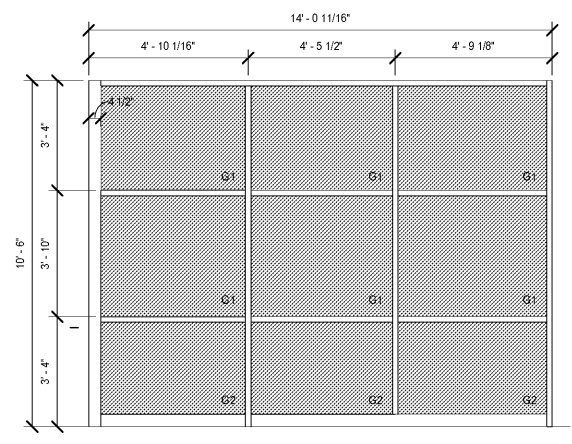
3 WINDOW TYPE C
SCALE: 3/8" = 1'-0"



2 WINDOW TYPE B
SCALE: 3/8" = 1'-0"



1 WINDOW TYPE A
SCALE: 3/8" = 1'-0"



Order Plans