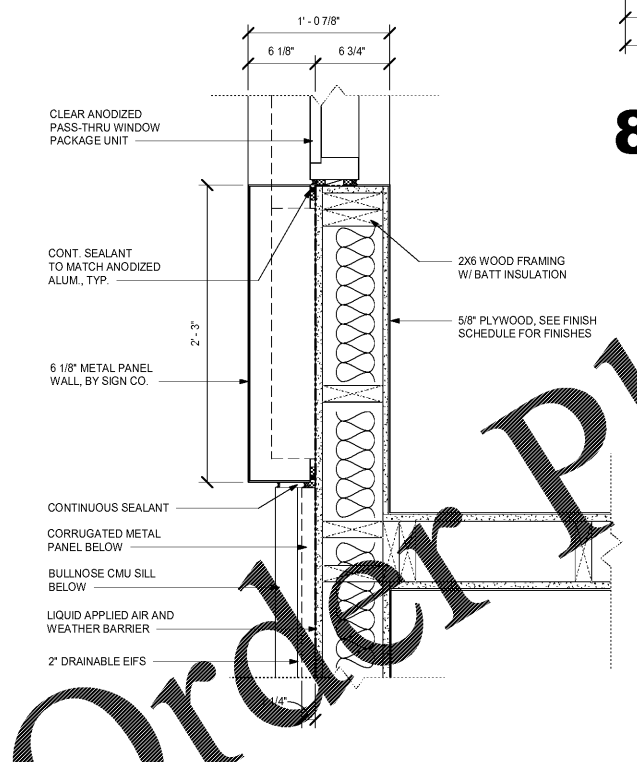
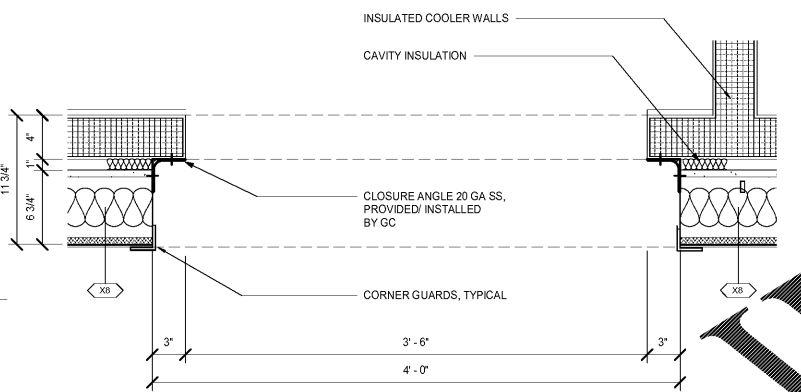


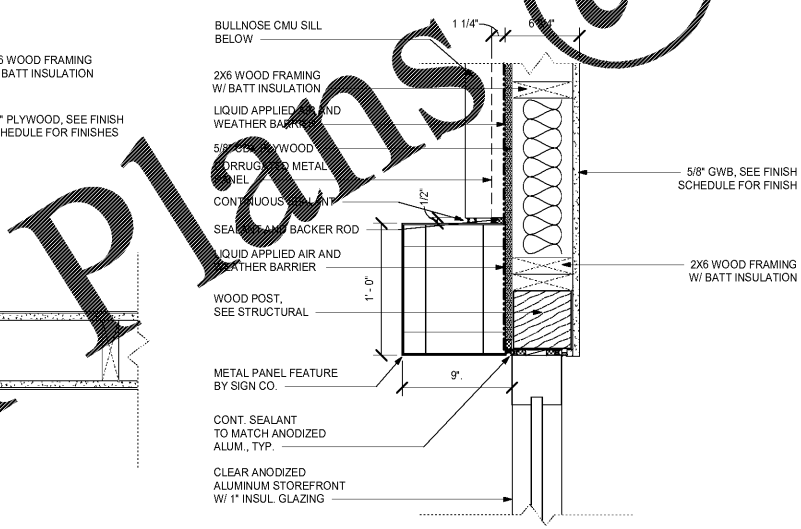
10 DRIVE THRU AT EIFS
 SCALE: 1 1/2" = 1'-0"



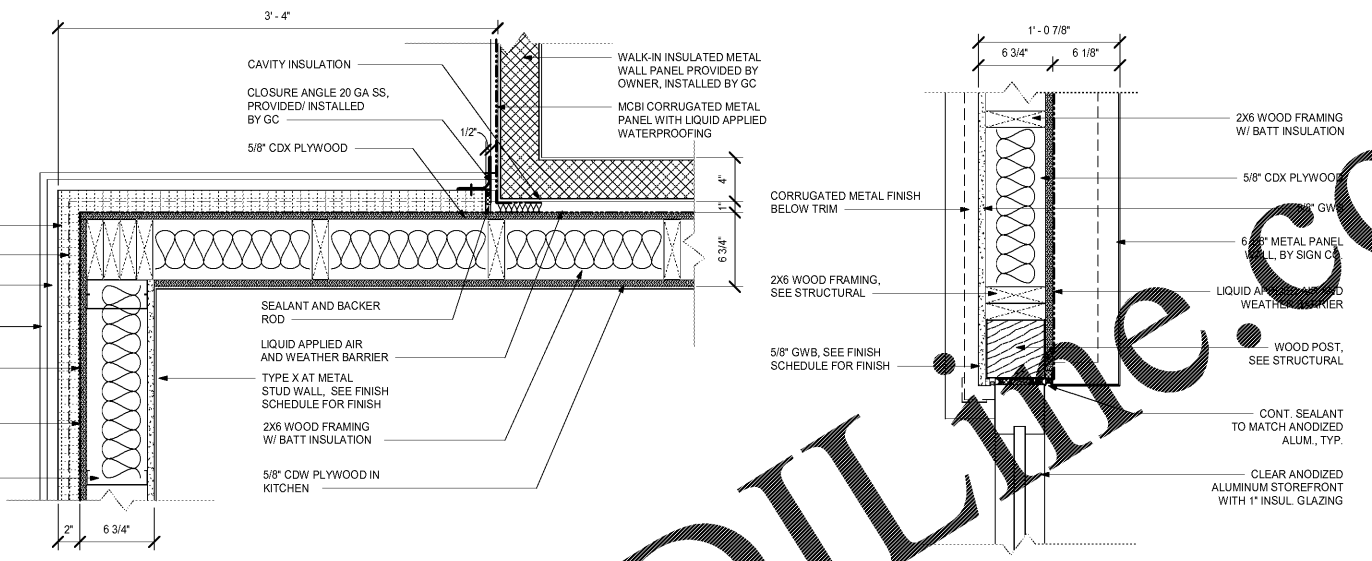
9 DRIVE THRU AT METAL PANEL WALL
 SCALE: 1 1/2" = 1'-0"



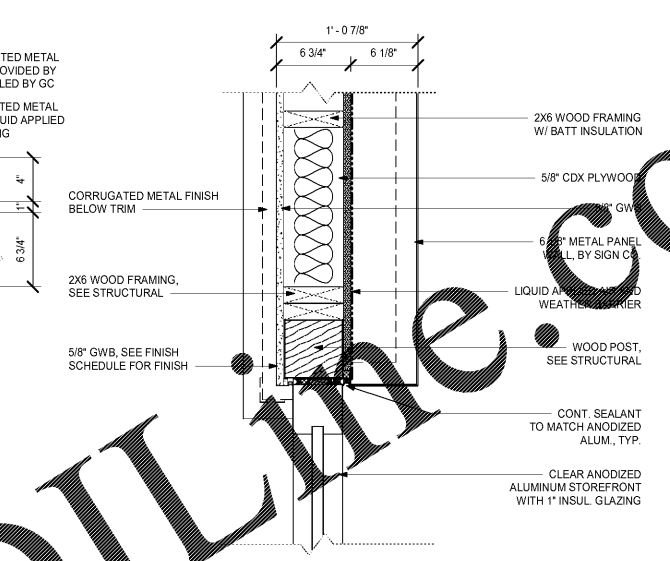
8 INTERIOR CORNER AT COOLER
 SCALE: 1 1/2" = 1'-0"



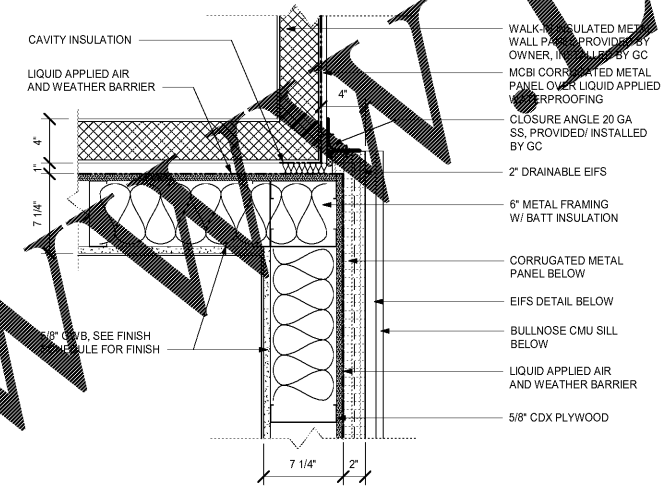
7 STOREFRONT/ METAL PANEL
 SCALE: 1 1/2" = 1'-0"



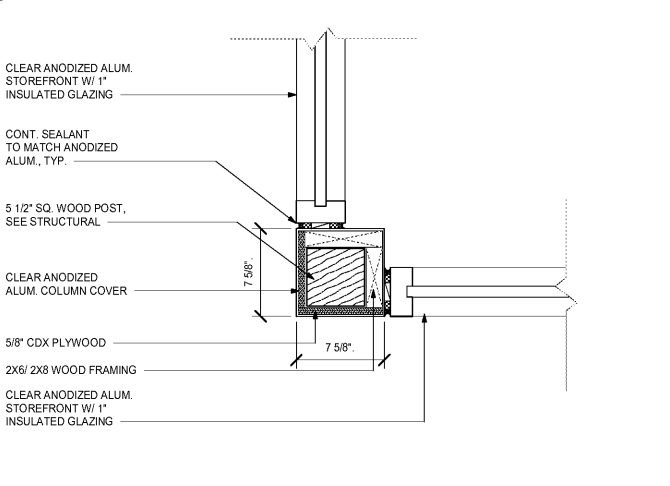
6 METAL/ WOOD STUD TRANSITION
 SCALE: 1 1/2" = 1'-0"



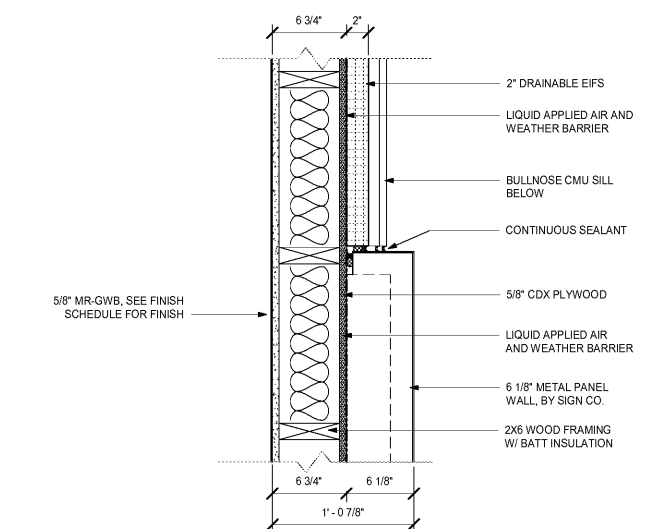
3 STOREFRONT/ RED WALL EAST
 SCALE: 1 1/2" = 1'-0"



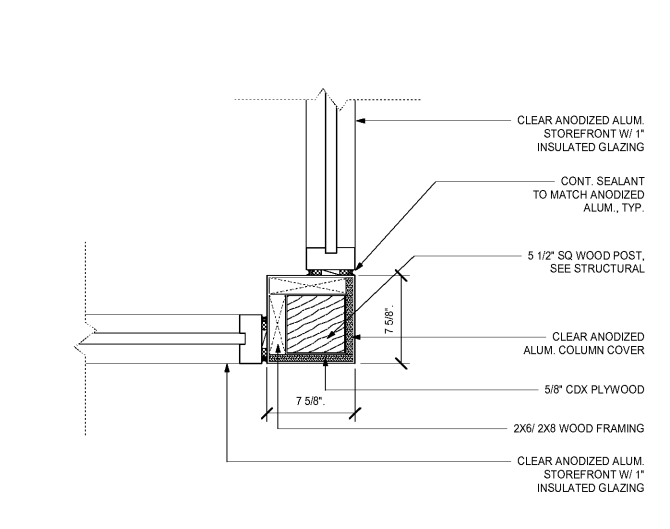
5 CORNER AT COOLER
 SCALE: 1 1/2" = 1'-0"



2 COLUMN DETAIL WEST CORNER
 SCALE: 1 1/2" = 1'-0"



4 EIFS/ RED WALL EAST
 SCALE: 1 1/2" = 1'-0"



1 COLUMN DETAIL EAST CORNER
 SCALE: 1 1/2" = 1'-0"

#ATL034
 CONYERS, GA

Krystal

ISSUED FOR
 CONSTRUCTION

1447 Highway 138
 Conyers, Georgia 30012
 Rockdale County, Georgia

Revisions		
#	Date	Description

Project Number: 18028
 Issued for: CONSTRUCTION
 Issue Date: 03/22/18

DRAWING TITLE
**FLOOR PLAN
 DETAILS**

SHEET NUMBER
A505