

#ATL034
CONYERS, GA

Krystal

ISSUED FOR
CONSTRUCTION

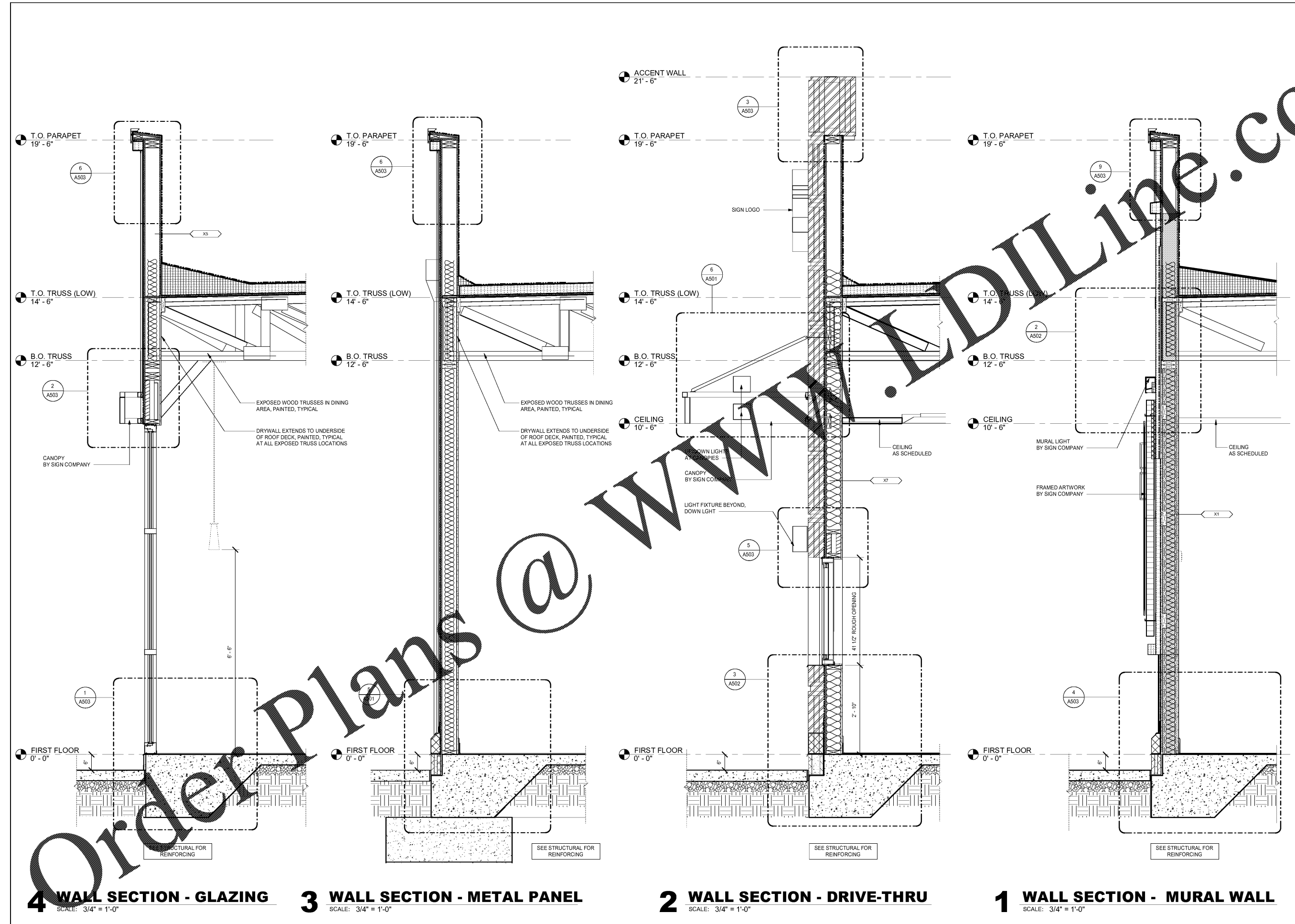
1447 Highway 138
Conyers, Georgia 30012
Rockdale County, Georgia

Revisions		
#	Date	Description

Project Number: 18028
Issued for: CONSTRUCTION
Issue Date: 03/22/18

DRAWING TITLE
WALL SECTIONS

SHEET NUMBER
A411



4 WALL SECTION - GLAZING
SCALE: 3/4" = 1'-0"

3 WALL SECTION - METAL PANEL
SCALE: 3/4" = 1'-0"

2 WALL SECTION - DRIVE-THRU
SCALE: 3/4" = 1'-0"

1 WALL SECTION - MURAL WALL
SCALE: 3/4" = 1'-0"