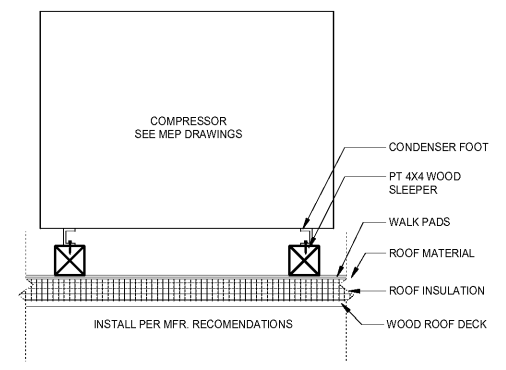
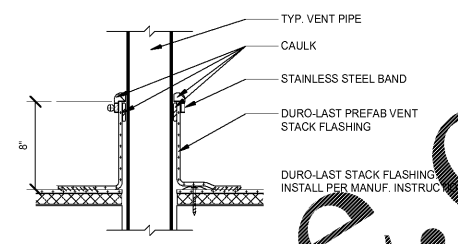


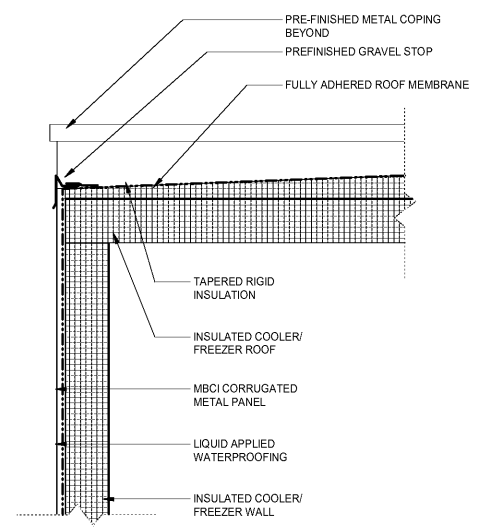
9 DETAIL - FLASHING AT EIFS
 SCALE: 3\"/>



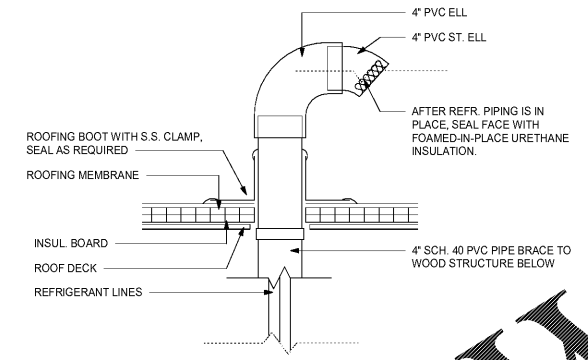
6 DETAIL - WALK-IN COMPRESSORS
 SCALE: 1\"/>



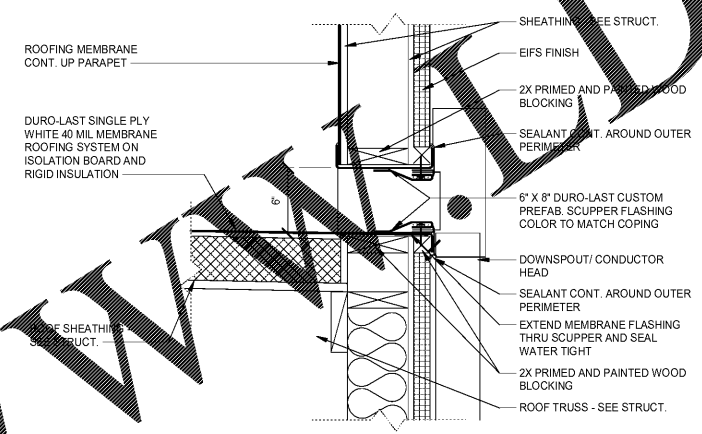
3 DETAIL - TYPICAL VENT
 SCALE: 1 1/2\"/>



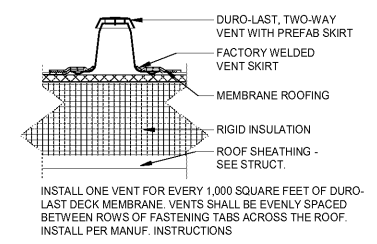
11 DETAIL - T.O. WALK-INS (FRONT)
 SCALE: 1 1/2\"/>



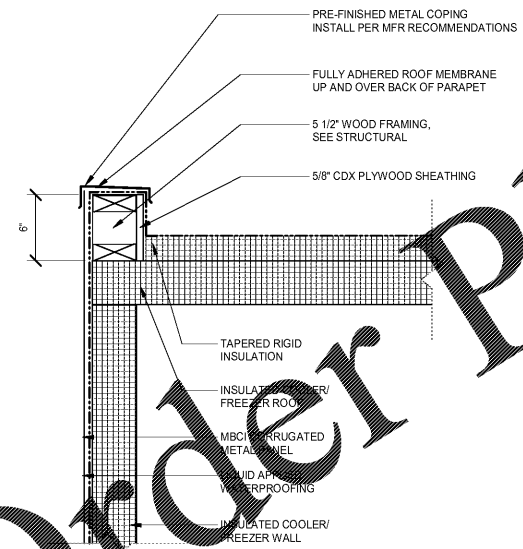
8 DETAIL - REFRIGERANT LINES
 SCALE: 1 1/2\"/>



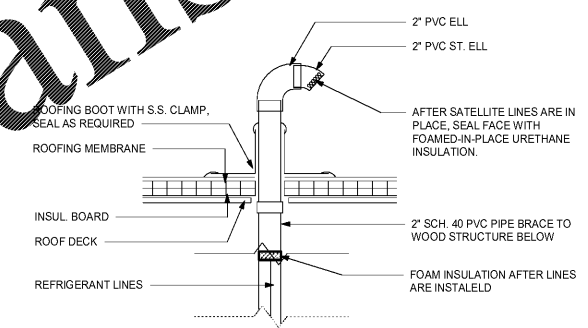
5 DETAIL - PRIMARY SCUPPER AT DOWNSPOUT
 SCALE: 1 1/2\"/>



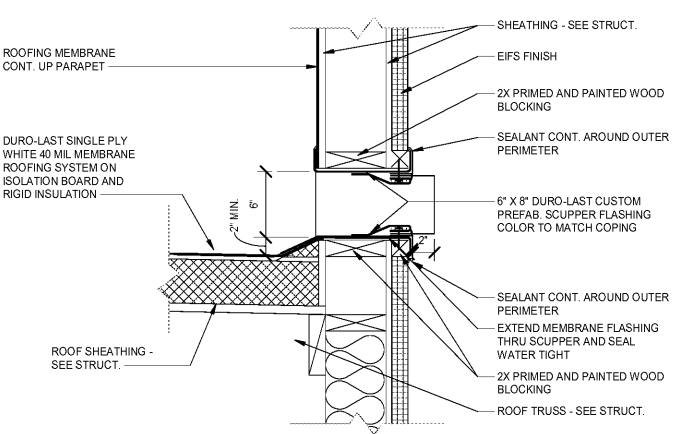
2 DETAIL - TYP. 2-WAY VENT
 SCALE: 3\"/>



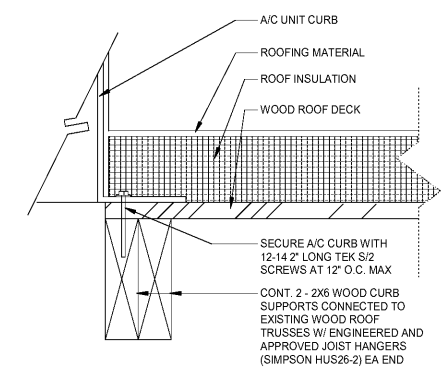
10 DETAIL - T.O. WALK-INS (SIDES)
 SCALE: 1 1/2\"/>



7 DETAIL - SATELLITE
 SCALE: 1 1/2\"/>



4 DETAIL - EMERGENCY OVERFLOW SCUPPER
 SCALE: 1 1/2\"/>



1 DETAIL - MECH. UNIT CURB
 SCALE: 3\"/>

#ATL034
 CONYERS, GA

Krystal

ISSUED FOR
 CONSTRUCTION

1447 Highway 138
 Conyers, Georgia 30012
 Rockdale County, Georgia

Revisions		
#	Date	Description

Project Number: 18028
 Issued for: CONSTRUCTION
 Issue Date: 03/22/18

DRAWING TITLE
**ROOF PLAN
 DETAILS**

SHEET NUMBER
A251