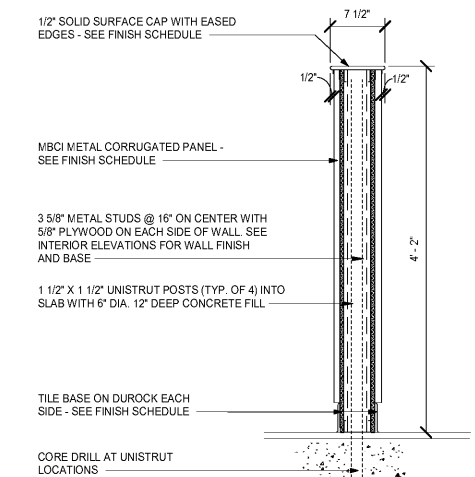
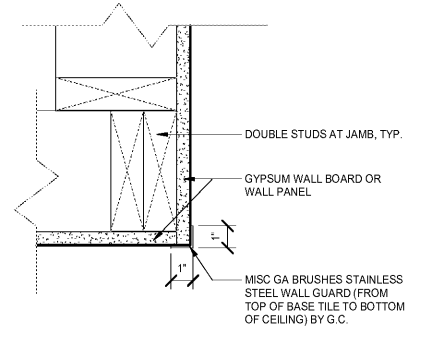


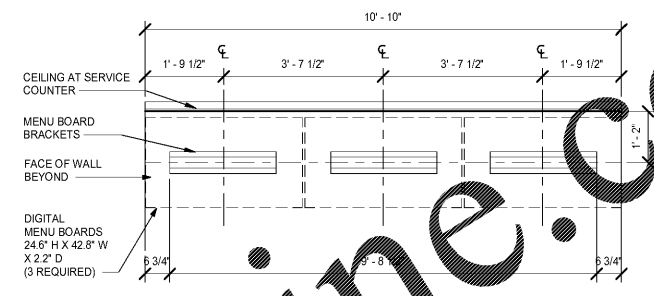
**12 RECESSED MOP SINK DETAIL**  
 SCALE: 3/4" = 1'-0"



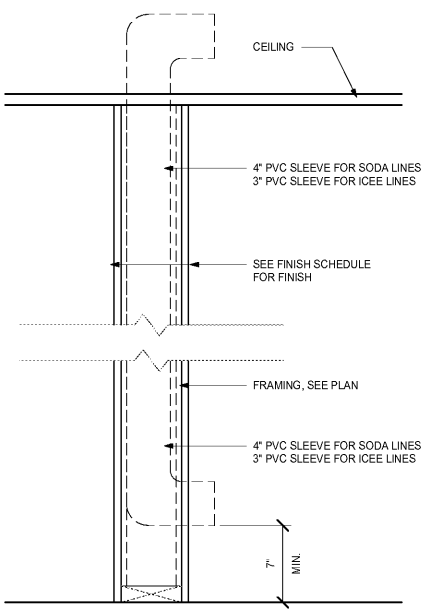
**9 DETAIL - LOW WALL**  
 SCALE: 1" = 1'-0"



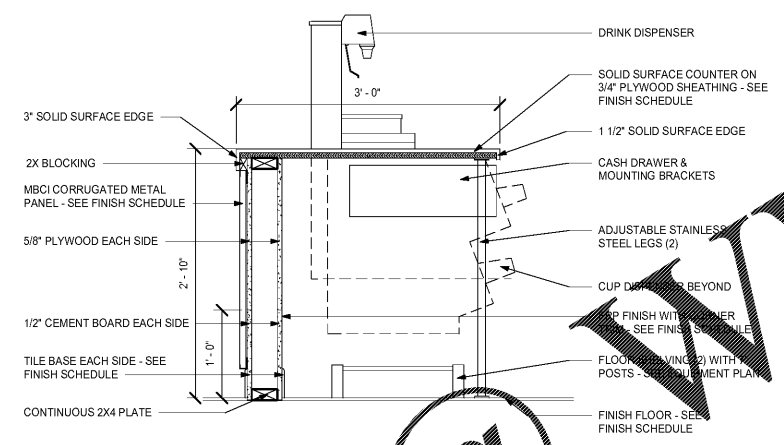
**6 DETAIL - STAINLESS STEEL CORNER GUARD**  
 SCALE: 3" = 1'-0"



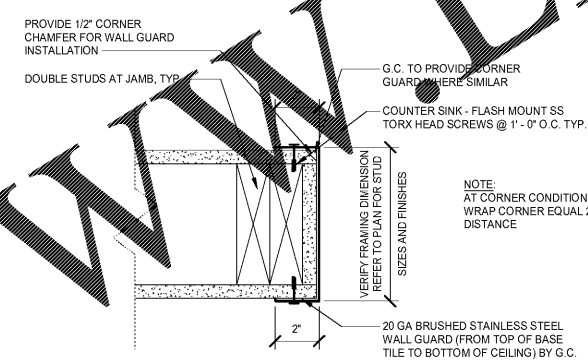
**3 DETAIL - MENU BOARD**  
 SCALE: 1 1/2" = 1'-0"



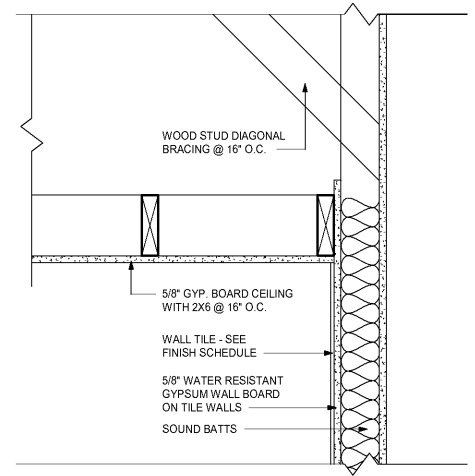
**11 DETAIL - SODA LINE CONDUITS**  
 SCALE: 1 1/2" = 1'-0"



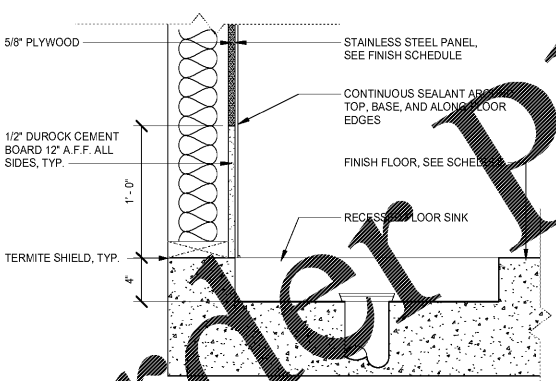
**8 DETAIL - FRONT COUNTER WALL**  
 SCALE: 1" = 1'-0"



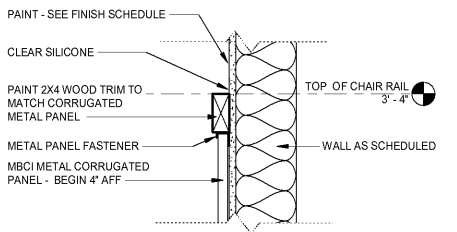
**5 DETAIL - STAINLESS STEEL WALL GUARD**  
 SCALE: 3" = 1'-0"



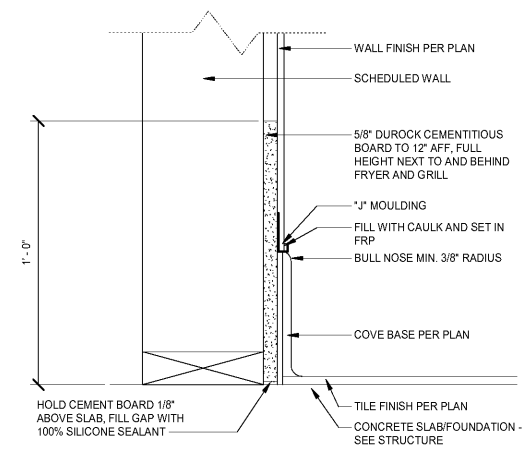
**2 DETAIL - GWB CEILING**  
 SCALE: 1 1/2" = 1'-0"



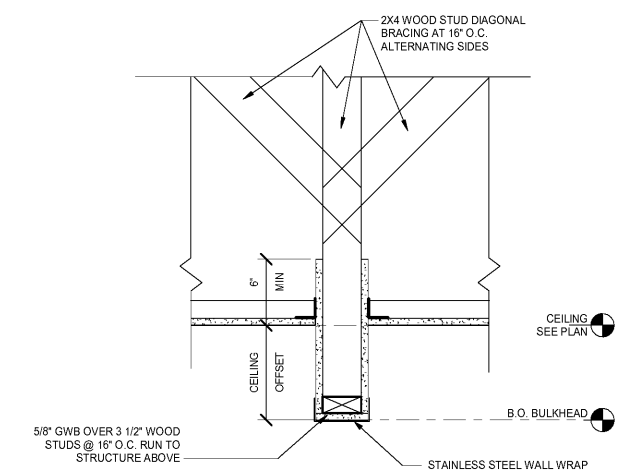
**10 DETAIL - RECESSED MOP SINK**  
 SCALE: 1 1/2" = 1'-0"



**7 DETAIL - CHAIR RAIL**  
 SCALE: 1 1/2" = 1'-0"



**4 DETAIL - FLOOR / BASE**  
 SCALE: 3" = 1'-0"



**1 DETAIL - BULKHEAD**  
 SCALE: 1 1/2" = 1'-0"



ISSUED FOR CONSTRUCTION

1447 Highway 138  
 Conyers, Georgia 30012  
 Rockdale County, Georgia

| Revisions |      |             |
|-----------|------|-------------|
| #         | Date | Description |
|           |      |             |

Project Number: 18028  
 Issued for: CONSTRUCTION  
 Issue Date: 03/22/18

DRAWING TITLE  
**INTERIOR DETAILS**

SHEET NUMBER  
**A202**