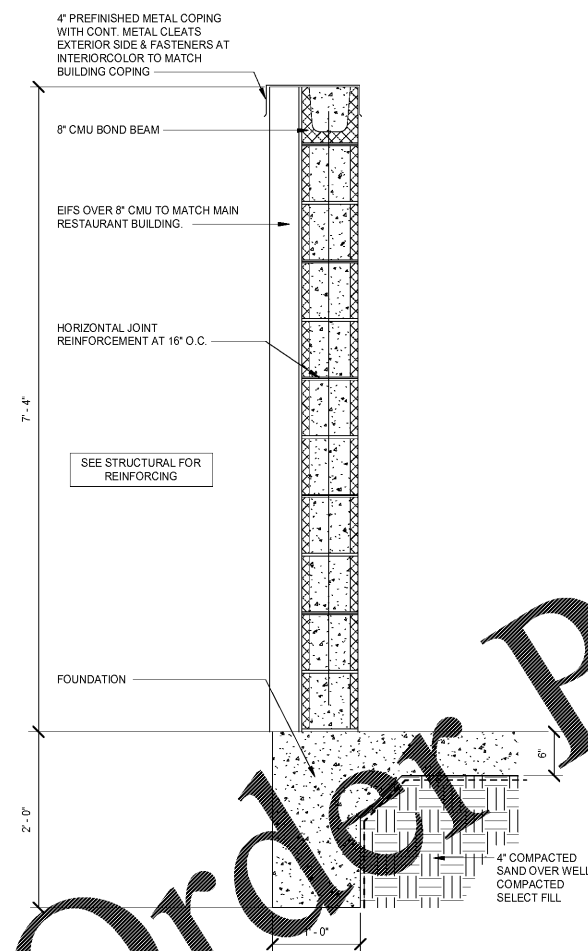
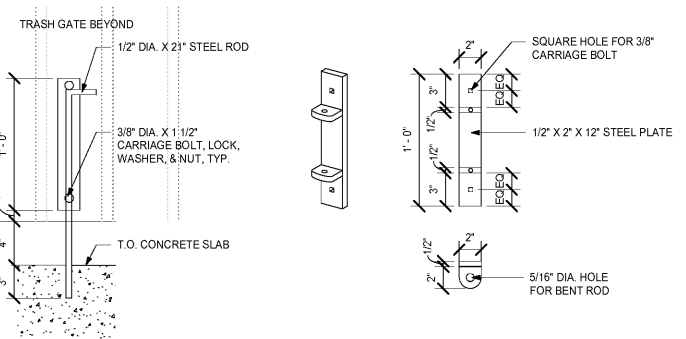


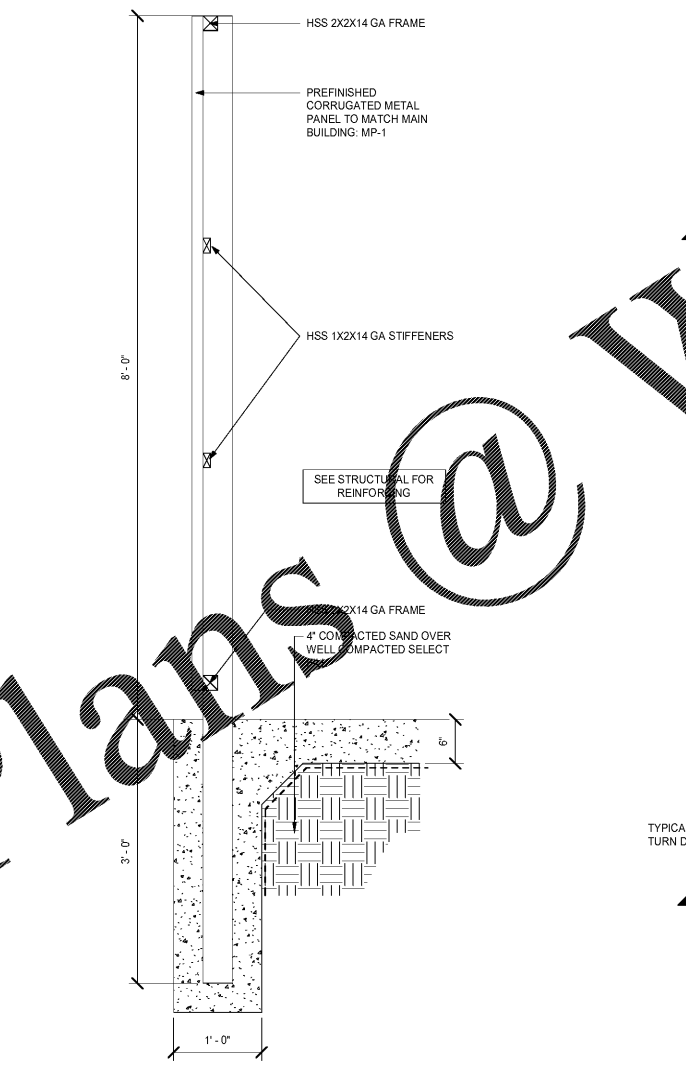
**10 SCREEN WALL DETAIL**  
 SCALE: 3/4" = 1'-0"



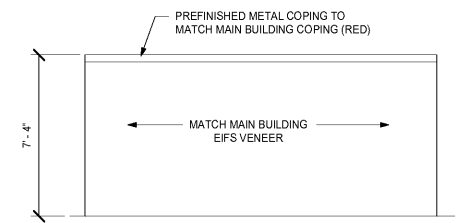
**9 DUMPSTER ENCLOSURE WALL SECTION - BLOCK**  
 SCALE: 1" = 1'-0"



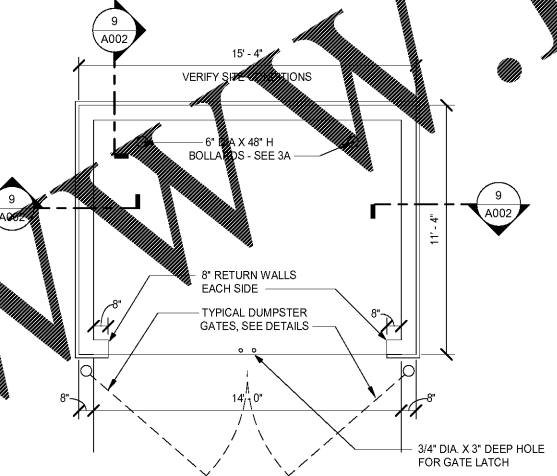
**8 CANE BOLT/ LATCH DETAILS**  
 SCALE: 1 1/2" = 1'-0"



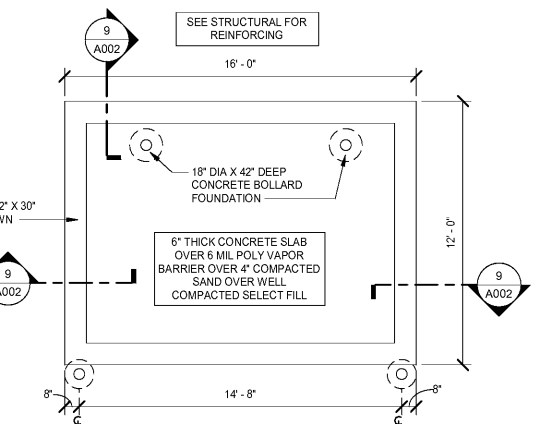
**7 DUMPSTER ENCLOSURE WALL SECTION - METAL**  
 SCALE: 1" = 1'-0"



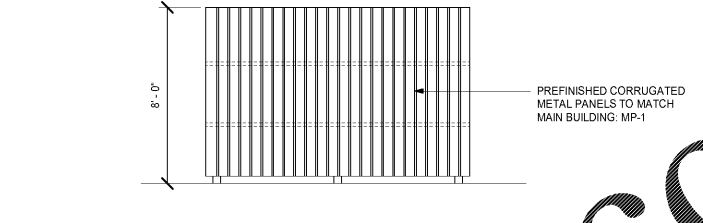
**6 DUMPSTER ENCLOSURE ELEVATIONS - BLOCK**  
 SCALE: 1/4" = 1'-0"



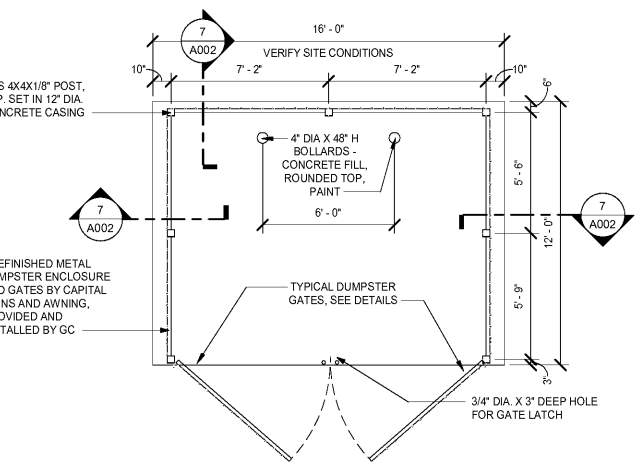
**5 DUMPSTER ENCLOSURE PLAN - BLOCK**  
 SCALE: 1/4" = 1'-0"



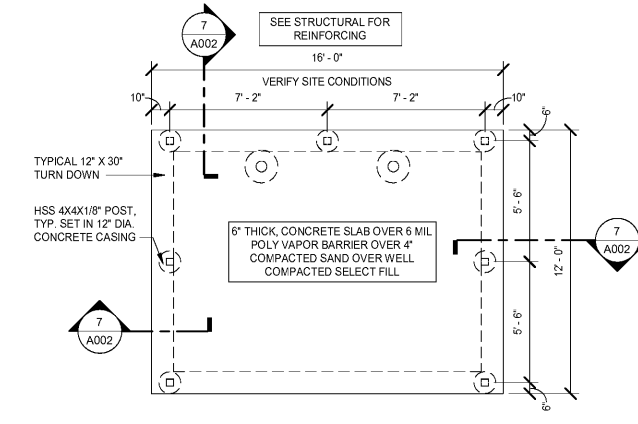
**4 DUMPSTER ENCLOSURE FOUNDATION / SLAB - BLOCK**  
 SCALE: 1/4" = 1'-0"



**3 DUMPSTER ENCLOSURE ELEVATIONS - METAL**  
 SCALE: 1/4" = 1'-0"



**2 DUMPSTER ENCLOSURE PLAN - METAL**  
 SCALE: 1/4" = 1'-0"



**1 DUMPSTER ENCLOSURE FOUNDATION / SLAB - METAL**  
 SCALE: 1/4" = 1'-0"

**Krystal**

**#ATL034**  
**CONYERS, GA**

**ISSUED FOR CONSTRUCTION**

1447 Highway 138  
 Conyers, Georgia 30012  
 Rockdale County, Georgia

Revisions		
#	Date	Description

Project Number: 18028  
 Issued for: CONSTRUCTION  
 Issue Date: 03/22/18

DRAWING TITLE  
**SITE DETAILS-  
 DUMPSTER  
 ENCLOSURE**

SHEET NUMBER  
**A002**