

EXIT DIAGRAM

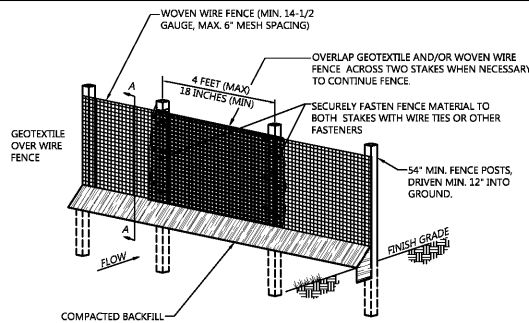


ENTRANCE ELEVATION

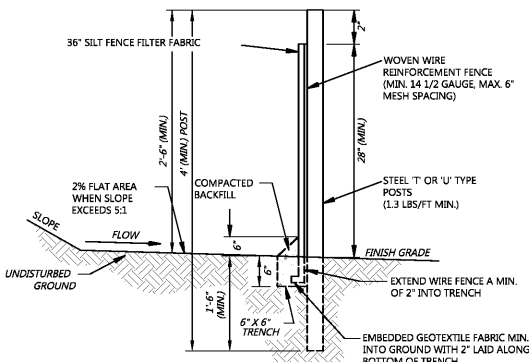
- NOTES**
- AVOID LOCATING ON STEEP SLOPES OR AT CURVES ON PUBLIC ROADS.
  - REMOVE ALL VEGETATION AND OTHER UNSUITABLE MATERIAL FROM THE FOUNDATION AREA, GRADE, AND CROWN FOR POSITIVE DRAINAGE.
  - AGGREGATE SIZE SHALL BE IN ACCORDANCE WITH NATIONAL STONE ASSOCIATION R-2 (1.5" - 3.5" STONE).
  - GRAVEL PAD SHALL HAVE A MINIMUM THICKNESS OF 6".
  - PAD WIDTH SHALL BE EQUAL FULL WIDTH AT ALL POINTS OF VEHICULAR EGRESS, BUT NO LESS THAN 20'.
  - A DIVERSION RIDGE SHOULD BE CONSTRUCTED WHEN GRADE TOWARD PAVED AREA IS GREATER THAN 2%.
  - INSTALL PIPE UNDER THE ENTRANCE IF NEEDED TO MAINTAIN DRAINAGE DITCHES.
  - WHEN WASHING IS REQUIRED, IT SHOULD BE DONE ON AN AREA STABILIZED WITH CRUSHED STONE THAT DRAINS INTO AN APPROVED SEDIMENT TRAP OR SEDIMENT BASIN (DIVERT ALL SURFACE RUNOFF AND DRAINAGE FROM THE ENTRANCE TO A SEDIMENT CONTROL DEVICE).
  - WASHRACKS AND/OR TIRE WASHERS MAY BE REQUIRED DEPENDING ON SCALE AND CIRCUMSTANCE. IF NECESSARY, WASHRACK DESIGN MAY CONSIST OF ANY MATERIAL SUITABLE FOR TRUCK TRAFFIC THAT REMOVE MUD AND DIRT.
  - MAINTAIN AREA IN A WAY THAT PREVENTS TRACKING AND/OR FLOW OF MUD ONTO PUBLIC RIGHTS-OF-WAYS. THIS MAY REQUIRE TOP DRESSING, REPAIR AND/OR CLEANOUT OF ANY MEASURES USED TO TRAP SEDIMENT.

**CRUSHED STONE CONSTRUCTION EXIT**

GA-Co N.T.S.



ELEVATION



SECTION A-A

1/4 ACRE PER 100-LF MAX DRAINAGE AREA

**SEDIMENT BARRIER TYPE SENSITIVE SILT FENCE**

GA-Sd1-C N.T.S.

**INSTALLATION**

- DO NOT INSTALL ACROSS STREAMS, DITCHES, WATERWAYS OR OTHER AREAS OF CONCENTRATED FLOW.
- INSTALL WHERE SHEET FLOW CONDITION EXIST.
- START POST INSTALLATION AT THE CENTER OF THE LOWEST POINT WITH REMAINING POSTS SPACED 4 FEET APART.
- TYPE 'C' SILT FENCE SHALL BE USED WHERE RUNOFF FLOWS OR VELOCITIES ARE PARTICULARLY HIGH.
- TYPE 'C' SILT FENCE SHALL BE USED WHERE SLOPES EXCEED A VERTICAL HEIGHT OF 10 FEET.
- TWO ROWS OF TYPE 'C' SILT FENCE MUST BE USED ALONG ALL STREAM BUFFERS.
- WOVEN WIRE REINFORCEMENT FENCE TO BE FASTENED SECURELY TO STEEL POSTS WITH WIRE TIES OR APPROVED EQUAL AT TOP AND BOTTOM.
- FILTER CLOTH TO BE FASTENED SECURELY TO WOVEN WIRE REINFORCEMENT FENCE WITH TIES SPACED EVERY 24" AT TOP AND MID SECTION.

**MAXIMUM SLOPE LENGTH**

- WHERE ALL RUNOFF IS TO BE STORED BEHIND THE SILT FENCE, MAXIMUM SLOPE LENGTH SHALL NOT EXCEED:
 

LAND SLOPE	=	MAX SLOPE LENGTH
< 2%	=	100 FT.
2% - 5%	=	75 FT.
5% - 10%	=	50 FT.
10% - 20%	=	25 FT.
> 20%	=	15 FT.
- IN AREAS WHERE THE SLOPE IS GREATER THAN 20% OR 5:1, A FLAT AREA LENGTH OF 10 FT BETWEEN THE TOE OF THE SLOPE AND THE SILT FENCE MUST BE PROVIDED.

**SILT FENCE FILTER FABRIC**

- UTILIZE DOT APPROVED FABRICS. COMMON EXAMPLES INCLUDE: MIRAFI 130X, AMOCO 1198, BELTECH 810, SI 915 SC, LING GTF 190
- UTILIZE FENCE FABRIC THAT MEETS THE FOLLOWING CRITERIA:
  - TENSILE STRENGTH PER ASTM D-4632 WITH WARP-280 AND FLL-180 (LBS. MIN.)
  - ELONGATION PER ASTM D-4632 OF 40% MAX
  - APARENT OPENING SIZE (MAX. SIEVE SIZE) PER ASTM D-4751 OF #30
  - FLOW RATE OF 70 GAL/MIN/SQ.FT.
  - ULTRAVIOLET STABILITY OF 80 PER ASTM D-4632 AFTER 300 HOURS WEATHERING IN ACCORDANCE WITH ASTM D-4355
  - BURSTING STRENGTH OF 175 PSI MIN. PER ASTM D-5186

**MAINTENANCE**

- SEDIMENT SHALL BE REMOVED ONCE IT HAS ACCUMULATED TO ONE-HALF THE ORIGINAL HEIGHT OF THE BARRIER.
- FILTER FABRIC SHALL BE REPLACED WHENEVER IT HAS DETERIORATED TO SUCH AN EXTENT THAT THE EFFECTIVENESS OF THE FABRIC IS REDUCED (APPROX. 6 MONTHS), OR ANY SIGNIFICANT HOLES ARE IN THE FABRIC.
- TEMPORARY SEDIMENT BARRIERS SHALL REMAIN IN PLACE UNTIL DISTURBED AREAS HAVE BEEN PERMANENTLY STABILIZED.
- ALL SEDIMENT ACCUMULATED BEHIND THE BARRIER SHALL BE REMOVED AND PROPERLY DISPOSED OF BEHIND THE BARRIER IS REMOVED.

TABLE 6-27.2 POST SIZE			
TYPE	MIN. LENGTH	TYPE OF POST	SIZE OF POST
NS	4'	SOFT WOOD OAK STEEL'	3" DIA OR 2X4 1.5" X 1.5" / 1.15 LB / FT MIN.
S	4'	STEEL OAK	1.15 - 1.25 LB / FT MIN. 2" X 2"

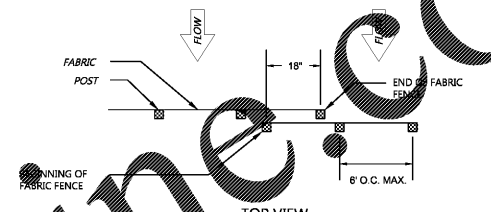
  

TABLE 6-27.3 FASTENERS FOR WOOD POSTS				
	GAUGE	CROWN	LEGS	STAPLES/POST
WIRE	17 MIN.	3/4" WIDE	1/2" LONG	5 MIN.

	GAUGE	LENGTH	BUTTON HEADS	NAIL/POST
NAILS	14 MIN.	1"	3/4"	

**OVERLAP AT FABRIC ENDS**



TOP VIEW

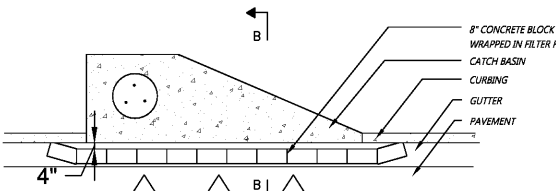


FRONT VIEW

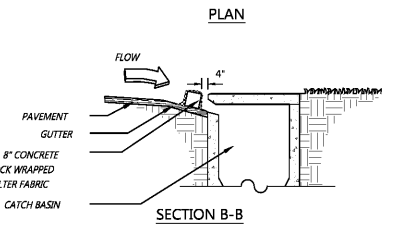
- NOTES**
- THE FABRIC AND WIRE SHOULD BE SECURELY FASTENED TO POSTS AND FABRIC ENDS MUST BE OVERLAPPED A MINIMUM OF 18" OR WRAPPED TOGETHER AROUND A POST TO PROVIDE A CONTINUOUS FABRIC BARRIER AROUND THE INLET.

**FASTENERS FOR SILT FENCE**

GA-Sd1-C N.T.S.

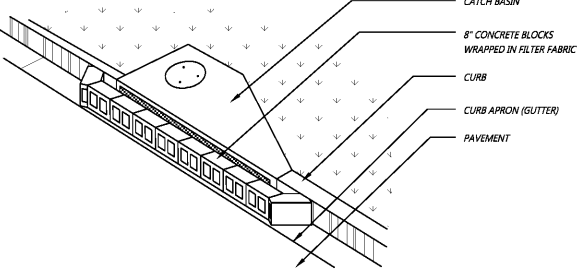


PLAN



SECTION B-B

- NOTES**
- INSTALL FILTER AFTER ANY ASPHALT PAVEMENT INSTALLATION.
  - WRAP 8" CONCRETE BLOCKS IN FILTER FABRIC AND SPAN ACROSS CATCH BASIN INLET.
  - FACE OPENINGS IN BLOCKS OUTWARD.
  - LEAVE A GAP OF APPROXIMATELY 4 INCHES BETWEEN THE CURB AND THE FILTERS TO ALLOW FOR OVERFLOW TO PREVENT HAZARDOUS PONDING.
  - INSTALL OUTLET PROTECTION BELOW STORM DRAIN OUTLETS.



**CURB INLET FILTER "PIGS IN A BLANKET"**

GA-Sd2-P

**811**  
Know what's Below. Call before you dig.  
THE LOCATION OF EXISTING UNDERGROUND UTILITIES AND STRUCTURES IS APPROXIMATE. IT IS THE USER'S RESPONSIBILITY TO VERIFY THE LOCATION OF ALL UTILITIES PRIOR TO ANY EXCAVATION. THE LOCATION OF ALL UTILITIES SHOULD BE VERIFIED PRIOR TO ANY EXCAVATION. THE USER SHALL BE RESPONSIBLE FOR ANY DAMAGE TO UTILITIES WHICH MAY BE ENCOUNTERED. THE USER SHALL BE RESPONSIBLE FOR EXACTLY LOCATING AND PRESERVING ANY AND ALL UTILITIES ENCOUNTERED.  
**24 HOUR EMERGENCY CONTACT**  
JOHN DAWSON  
770-329-6817

**ATWELL**  
www.atwell-group.com  
866.850.4200  
1800 PARKWAY PLACE, SUITE 700  
MARIETTA, GA 30067  
770-423-0807

LAND LOT 298, 16TH DISTRICT  
1-447 GA-138  
CONYERS, GEORGIA 30013  
ROCKDALE COUNTY

THE KRYSAL COMPANY  
KRYSAL RESTAURANT - ATL034  
SITE DEVELOPMENT PLANS  
EROSION CONTROL DETAILS

DATE: 03-23-2018

REVISIONS

**GEORGIA**  
REGISTERED PROFESSIONAL ENGINEER  
No. 6140  
MICHAEL D. RITCH

DRAWN BY: JTR  
CHECKED BY: MDR  
PROJECT MANAGER: MDR  
JOB #: 17003568  
FILE CODE: CP  
SHEET NO. C800

Order Plans @

WWW.LDWLINE.COM

FILE NAME: H:\17003568\EROSION CONTROL\DETAILS\EROSION CONTROL DETAILS.DWG LAST SAVED BY: JTR 03/23/2018 2:27 PM PLOTTED BY: TONALD B. FAY 03/23/2018 10:09 AM PAPER: EROSION CONTROL DETAILS SIZE: (24.00 X 36.00) INCHES PLOT STYLE: ATWELL.DWT

CAD FILE: 17003568-EROSION CONTROL DETAILS