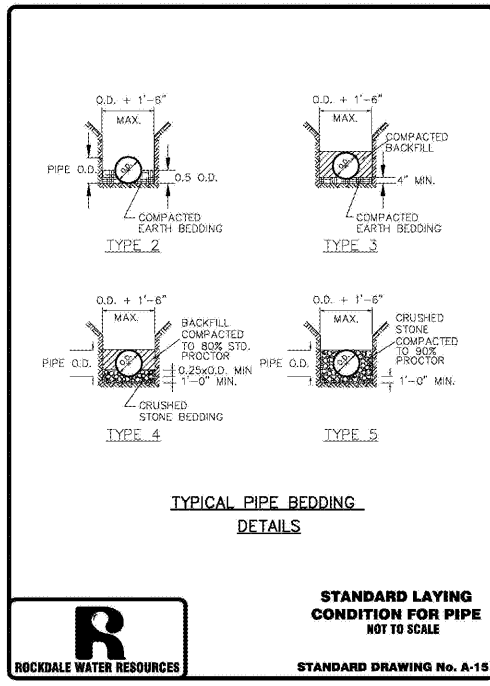
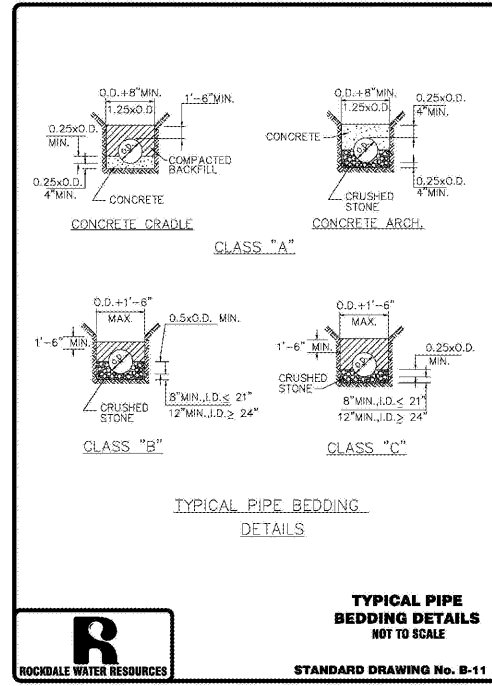


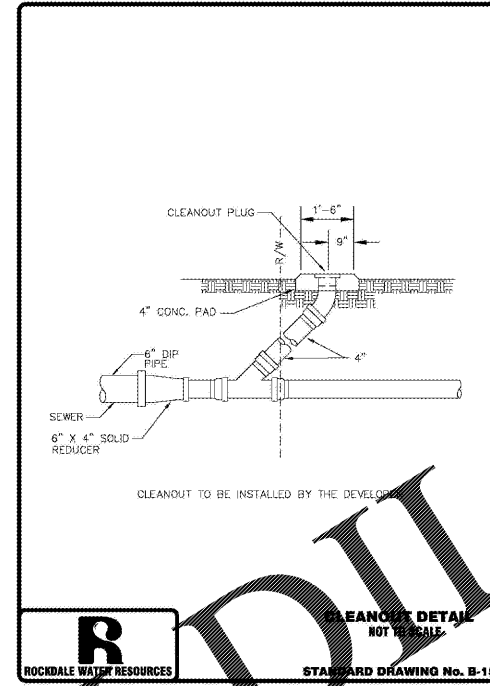
COMMERCIAL 5/8 - 2" WATER METER AND BACKFLOW PREVENTION DEVICE
NOT TO SCALE
STANDARD DRAWING No. A-12



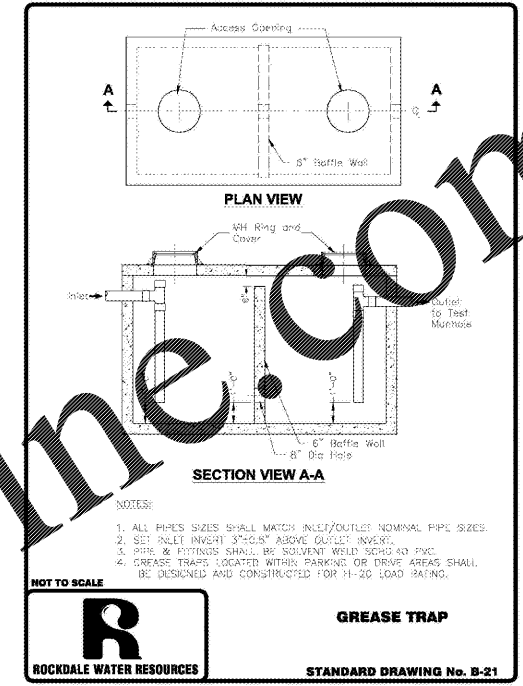
TYPICAL PIPE BEDDING DETAILS
STANDARD LAYING CONDITION FOR PIPE
NOT TO SCALE
STANDARD DRAWING No. A-15



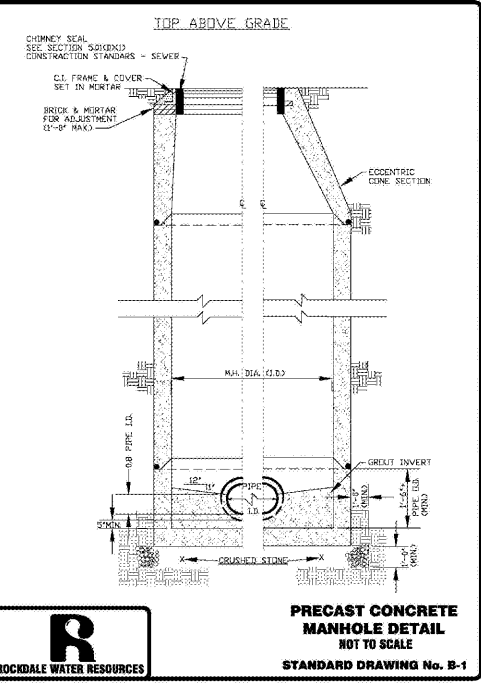
TYPICAL PIPE BEDDING DETAILS
NOT TO SCALE
STANDARD DRAWING No. B-11



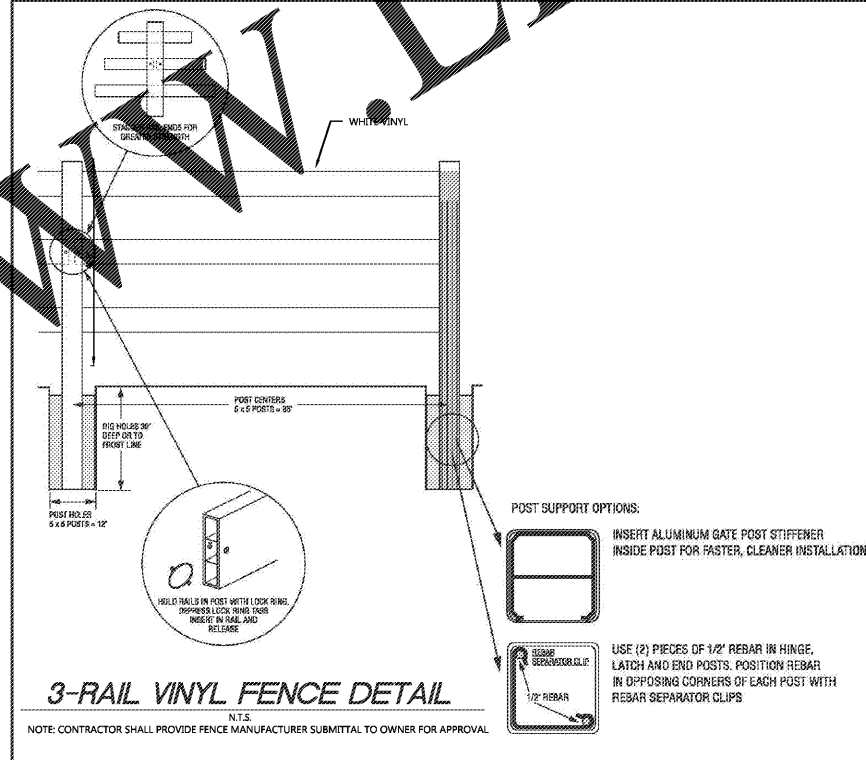
CLEANOUT DETAIL
NOT TO SCALE
STANDARD DRAWING No. B-15



GREASE TRAP
NOT TO SCALE
STANDARD DRAWING No. B-21



PRECAST CONCRETE MANHOLE DETAIL
NOT TO SCALE
STANDARD DRAWING No. B-1



3-RAIL VINYL FENCE DETAIL
NOT TO SCALE
STANDARD DRAWING No. B-16

Order Plans @ WWW.LDLINE.COM

811
Know what's Below.
Call before you dig.
THE LOCATIONS OF EXISTING UNDERGROUND UTILITIES ARE SHOWN ON AN APPROXIMATE MAP ONLY AND HAVE NOT BEEN VERIFIED BY FIELD SURVEY OR OTHER MEANS. THE CONTRACTOR SHALL BE RESPONSIBLE FOR VERIFYING THE LOCATION OF ALL UTILITIES BEFORE COMMENCING WORK. CONTRACTOR SHALL BE RESPONSIBLE FOR ANY DAMAGES WHICH MAY BE INCURRED BY CONTRACTOR'S FAILURE TO EXACTLY LOCATE UTILITIES.
NOTICE: THE CONTRACTOR SHALL BE RESPONSIBLE FOR THE SAFETY OF THE WORKER AND THE PUBLIC. THE CONTRACTOR SHALL BE RESPONSIBLE FOR THE SAFETY OF ANY ADJACENT STRUCTURES OR OF ANY OTHER PERSONS.
COPYRIGHT © 2018 ATWELL LLC. NO REPRODUCTION SHALL BE MADE WITHOUT THE WRITTEN CONSENT OF ATWELL LLC.
24 HOUR EMERGENCY CONTACT
JOHN DAWSON
770-329-8877

ATWELL
866.850.4200 www.atwell-group.com
1800 PARKWAY PLACE, SUITE 700
MARIETTA, GA 30067
770-423-0807

LAND LOT 298, 16TH DISTRICT
1-417 GA-138
CONVERS, GEORGIA 30013
ROCKDALE COUNTY

THE KRystal COMPANY
KRystal RESTAURANT - ATL034
SITE DEVELOPMENT PLANS
CONSTRUCTION DETAILS

DATE: 03-23-2018

REVISIONS

GEORGIA
REGISTERED PROFESSIONAL ENGINEER
No. 5140
MICHAEL D. RITCH

DRAWN BY: JTR
CHECKED BY: MDR
PROJECT MANAGER: MDR
JOB #: 17003568
FILE CODE: CP
SHEET NO.: C701