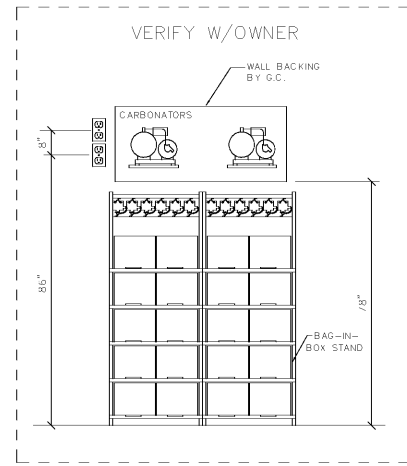
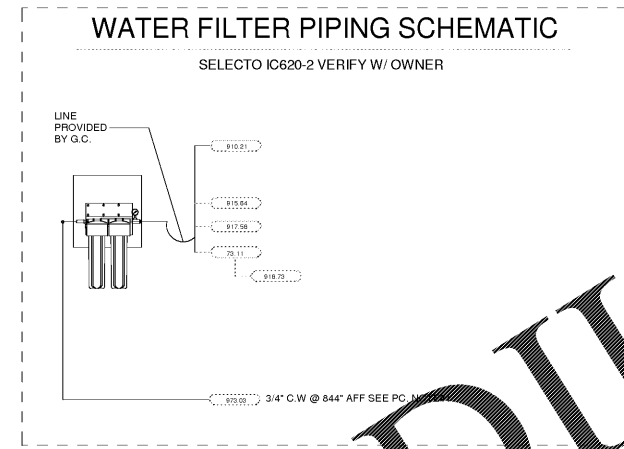


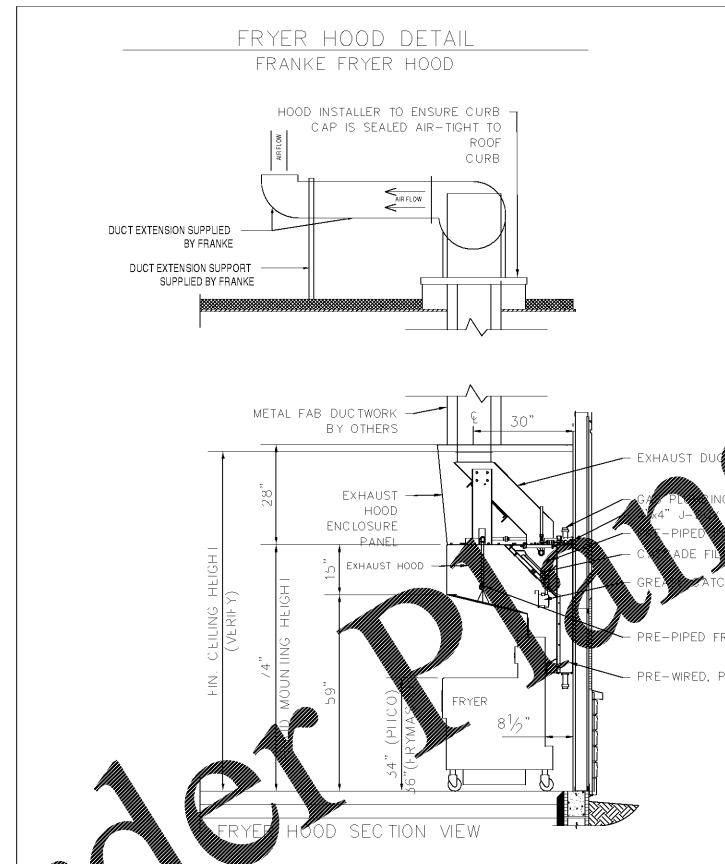
1 WALL BACKING DETAIL  
NOT TO SCALE



2 CARBONATOR DETAIL  
NOT TO SCALE



3 IC620-2 Water Filter  
NOT TO SCALE

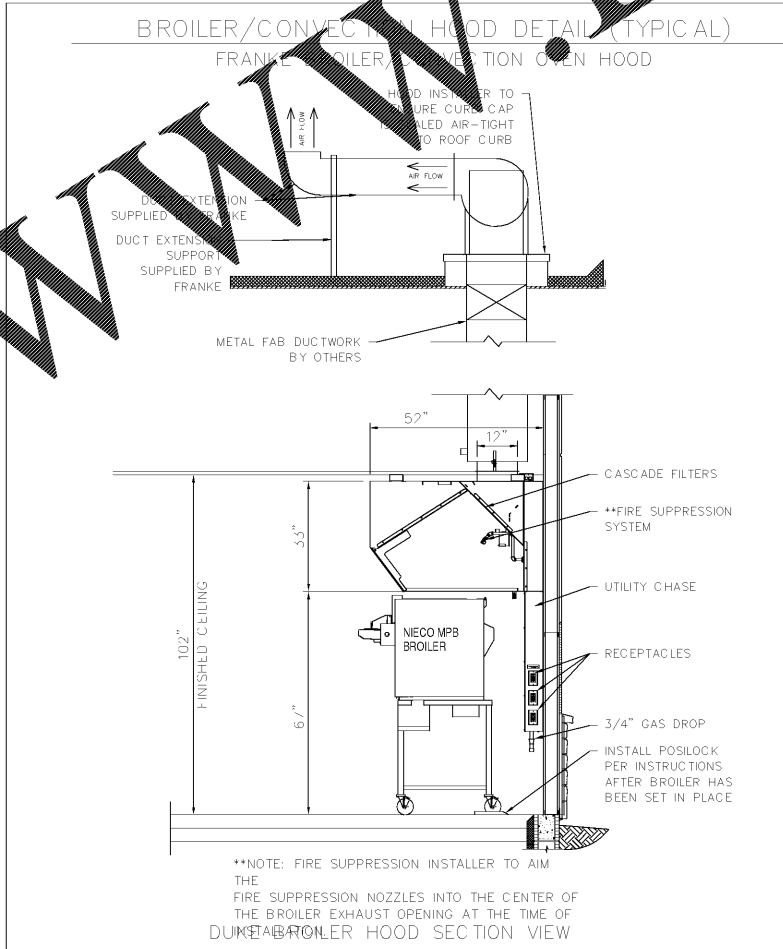


4 FRYER HOOD DETAIL  
NOT TO SCALE

**EXHAUST FAN SPECS**  
LOREN COOK MODEL 100 CPS,  
1HP, 208V/1PH/60, SET FOR:  
885 CFM @ 0.55" S.P., UL 762,  
TOP HORIZONTAL DISCHARGE

HI-TEMP EZCLEAN COAT  
UL762 (327Y-500DEG)  
STL ACC DOOR-BOLT  
HANG. GREASE TROUGH  
STEEL DRAIN  
UL762 PUNCH DSCH FLG  
HI-TEMP OSHA BG/WCVR  
HEAT SHIELD  
SHAFT COOLER  
CURB CAP AND INLET BOX

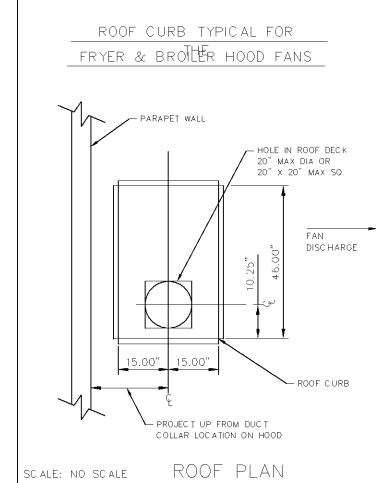
**ROOF CURB**  
RCG 30 X 46-18H -NO WOOD NAILER  
PREWIRED NEMA 3 DISCONNECT  
W/LIQUID TIGHT  
PREWIRED CURRENT SENSOR



5 BROILER HOOD DETAIL  
NOT TO SCALE

**EXHAUST FAN SPECS**  
COOK MODEL 120 CPS,  
1HP, 208V/1PH/60, SET FOR:  
1200 CFM @ 0.75" S.P., UL 762,  
HORIZONTAL DISCHARGE  
UL762 FOR 300 DEG  
STL ACC DOOR-BOLT  
GREASE TROUGH  
STEEL DRAIN  
STEEL ACCESS DOOR  
PRE-WIRED NEMA 3 DISCONNECT  
PRE-WIRED CURRENT SENSOR

**ROOF CURB**  
RCG 30 X 46-18H -NO WOOD NAILER



SCALE: NO SCALE ROOF PLAN

*Make it Wonderful*



Frankie Foodservice Supply, Inc.  
800 Aviation Parkway  
Smyrna, TN 37167  
Tel: 400 472-2954  
fr\_customer-service.us@frankie.com  
www.frankiesupply.com

© 2017 Frankie Foodservice Systems, Inc. These drawings are specifications and the property of Frankie Foodservice Systems, Inc. and shall not be reproduced, copied or transmitted in any form or by any means, without the prior written consent of Frankie Foodservice Systems, Inc. Frankie Foodservice Systems, Inc. reserves the right to change equipment without notice.

Client: **Burger King**  
Project # **2397**

Title: **KES NOTES AND DETAILS**

Client: **Burger King**  
Site Address: **998 SUNSET BLVD**  
City: **JESUP**  
State: **GA** Zip Code: **31545** Country: **USA**

Region: **NORTH AMERICA**  
Erection: **FREESTANDING**

Electrical Service: **208V-230V**  
Code System: **UNSPECIFIED**

Market Manager: **M. COUYOUMLIAN**  
Frankie Project Number: **1393889**

Frankie Order Number: **5028196**  
Created By: **HP033**

Date Issued: **04/19/2018**  
Modified By: **HP033**

Drawing Scale: **As Noted**  
Units: **INCH**

Drawing Number: **Jesup, GA.rte** Revision: **A**

Sheet Name: **K4.0**

*Order Plans @ WWW.LDILine.com*