

**GENERAL NOTES:**

- A. CONTRACTOR TO VERIFY WHICH SYSTEM IS TO BE INSTALLED. REQUIREMENTS CAN VARY DEPENDING ON MANUFACTURER. THE CONTRACTOR IS CAUTIONED TO VERIFY ALL REQUIREMENTS PRIOR TO CONSTRUCTION.
- B. CONTRACTOR TO PROVIDE ALL RECEPTACLE OUTLETS, CONDUITS AND J-BOXES AS INDICATED ON PLAN.
- C. CONTRACTOR TO VERIFY AND COORDINATE LOCATION OF VIDEO DISPLAY DEVICES W/ BURGER KING REPRESENTATIVE.
- D. MAINTAIN P.O.S. CABLES A MIN. OF 12" AWAY FROM ANY FLUORESCENT LIGHT SOURCES ABOVE CEILING.
- E. ELECTRICAL CONTRACTOR TO IDENTIFY P.O.S. JUNCTION BOXES ABOVE CEILING "GROUND P.O.S. ONLY".

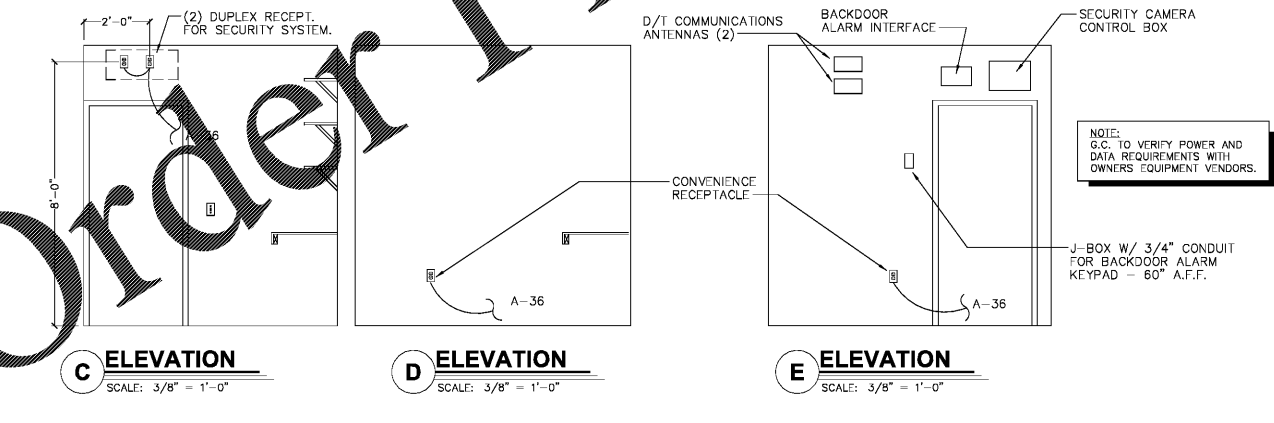
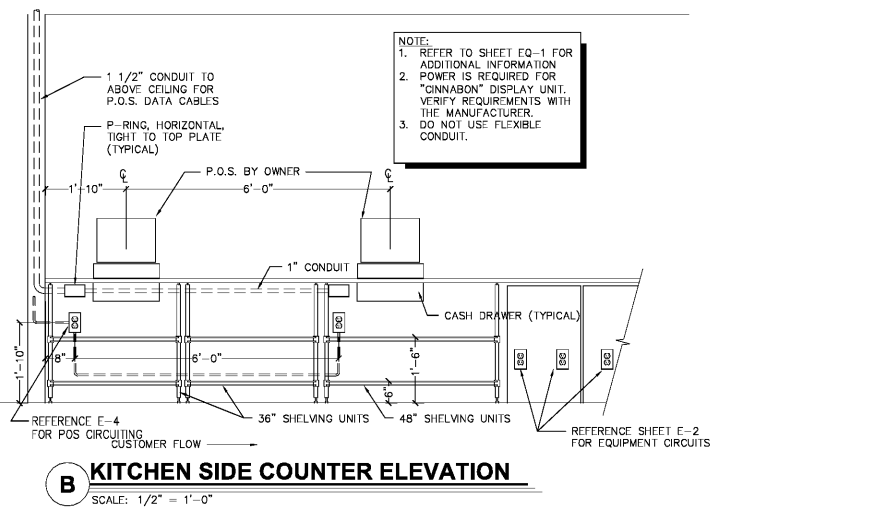
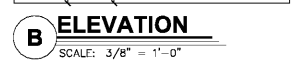
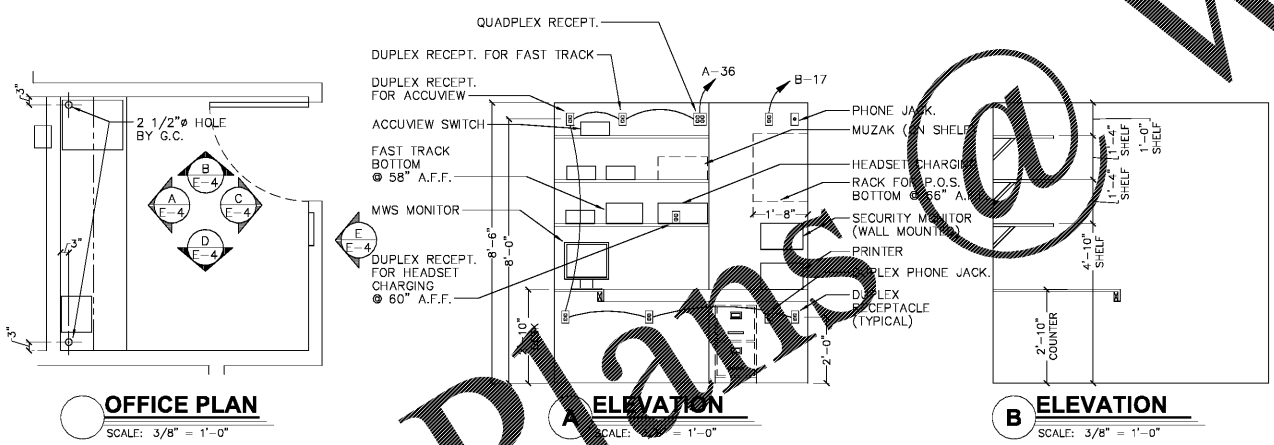
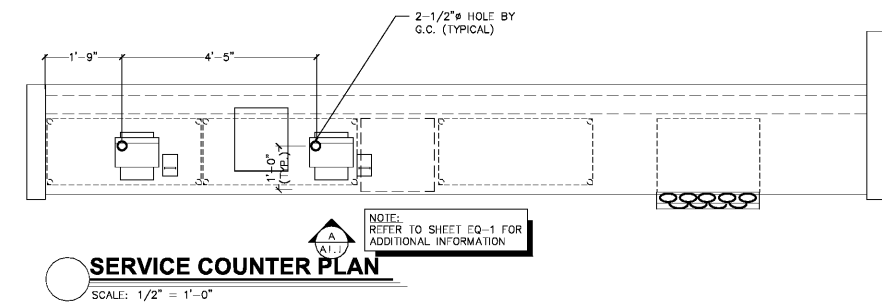
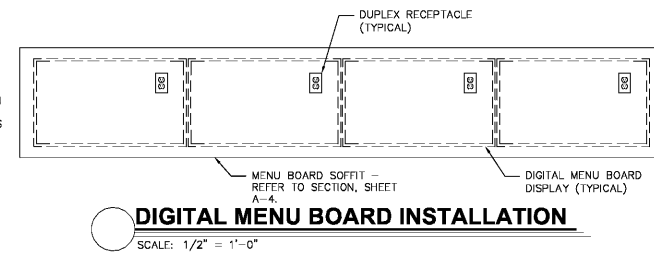
**KEYED PLAN NOTES:**

- 1 DISPLAY #1 AND BUMP BAR. PROVIDE 4" CONDUIT FOR VIDEO, BUMP BAR AND PRINTERS. PROVIDE CEILING MOUNTED RECEPTACLES. (TYPICAL FOR DISPLAY #1, #2 AND #3)
- 2 DISPLAY #2 AND BUMP BAR
- 3 DISPLAY #3 AND BUMP BAR
- 4 STOCK LEVEL LIGHT CONTROLLER @ 60" A.F.F.
- 5 TOTAL SERVICE TIME DISPLAY
- 6 GRADE DISPLAY
- 7 CLOCK-RECEPT. IN CHASE
- 8 STOCK LEVEL DISPLAY RECEPT. IN CHASE
- 9 EQUIPMENT MOUNTED RECEPTACLES BY K.E.S. CIRCUITING RUNS BY E.C.
- 10 J-BOX W/ 3/4" CONDUIT @ 84" A.F.F.
- 11 CEILING MOUNTED D/T TIMER WINDOW TIME DISPLAY
- 12 90" A.F.F. FOR D/T LAND MONITOR
- 13 P-RING @ 24" A.F.F. W/ 1" CONDUIT ABOVE CLG.
- 14 J-BOX W/ 1" CONDUIT TO CLG. FOR PHU VIDEO CABLE. (LOCATE NEW PHU RECEPT.)
- 15 SECURITY CAMERA (TYPICAL)
- 16 SECURITY MONITOR (TYPICAL)

**NOTES:**

- (1) DUPLEX RECEPTACLE PER SCREEN
- (1) P-RING PER SCREEN WITH 1" CONDUIT TO ABOVE CEILING. DATA CABLE TO RUN TO MEDIA PLAYER(S) IN OFFICE.
- 3. VERIFY NUMBER OF SCREENS USED (3 OR 4) PRIOR TO INSTALLATION OF RECEPTACLES AND P-RINGS.
- 4. DETERMINE SCREEN AND MOUNTING BRACKET MODELS PRIOR TO INSTALLATION OF RECEPTACLES AND P-RINGS. REFER TO SHEET E-2, POWER PLAN FOR CIRCUITING REQUIREMENTS.

SYMBOL LEGEND	
DETAIL	DESCRIPTION
	DUPLEX 125V-20A-2 POLE-3 WIRE STRAIGHT BLADE RECEPTACLE OUTLET - WALL MTD. (24" A.F.F., - U.O.N.)
	SINGLE 125V-20A-2 POLE-3 WIRE STRAIGHT BLADE RECEPTACLE OUTLET - WALL MTD. (24" A.F.F., - U.O.N.)
	DRYWALL P-RING
	BUMP-BAR
	TELEPHONE OUTLET FOR P.O.S. MODEM (ALL OUTLETS HOMERUN IN 3/4" CONDUIT TO TELEPHONE BACKBOARD) MOUNT 96" A.F.F.
	P.O.S. PRINTER DEVICE
	P.O.S. REGISTER DEVICE
	VIDEO DISPLAY DEVICE (CEILING MTD.)
	SECURITY CAMERA "P.O.-EYE" CONTACT ALARM (TITLE 581-581-56)
	SECURITY MONITOR (PROVIDED) PROVIDE DUPLEX RECEPTACLE @ 84" A.F.F. (VERIFY) CONNECT TO P.O.S. CIRCUIT



Order Plans @

WWW.LDILLING.COM