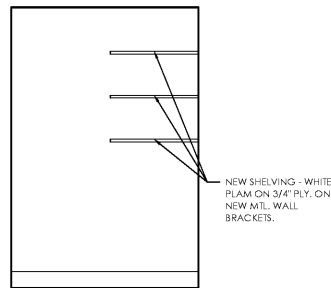
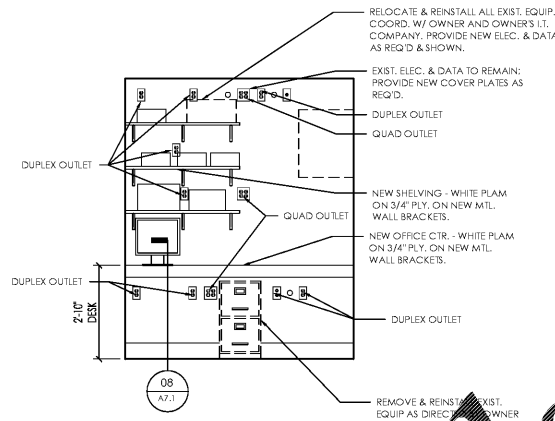


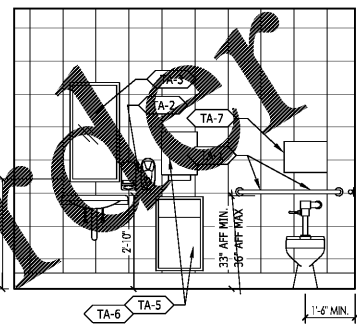
08 MILLWORK DTL  
A7.1 SCALE: 1"= 1'-0"



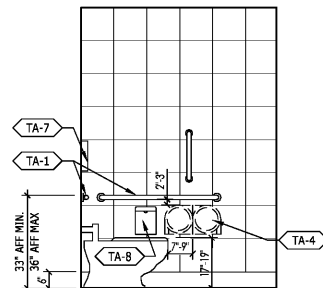
07 INT. ELEV @ OFFICE  
A7.1 SCALE: 3/8"= 1'-0"



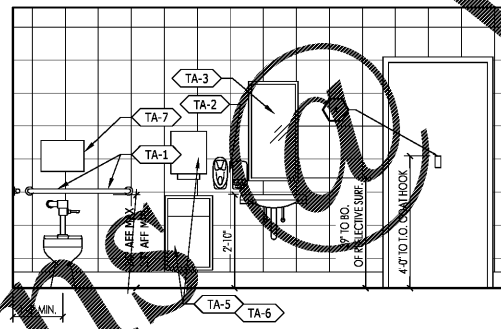
06 INT. ELEV @ OFFICE  
A7.1 SCALE: 3/8"= 1'-0"



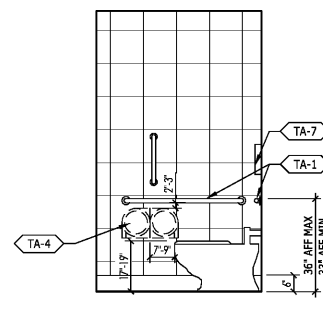
05 INT. ELEV @ WOMEN  
A7.1 SCALE: 3/8"= 1'-0"



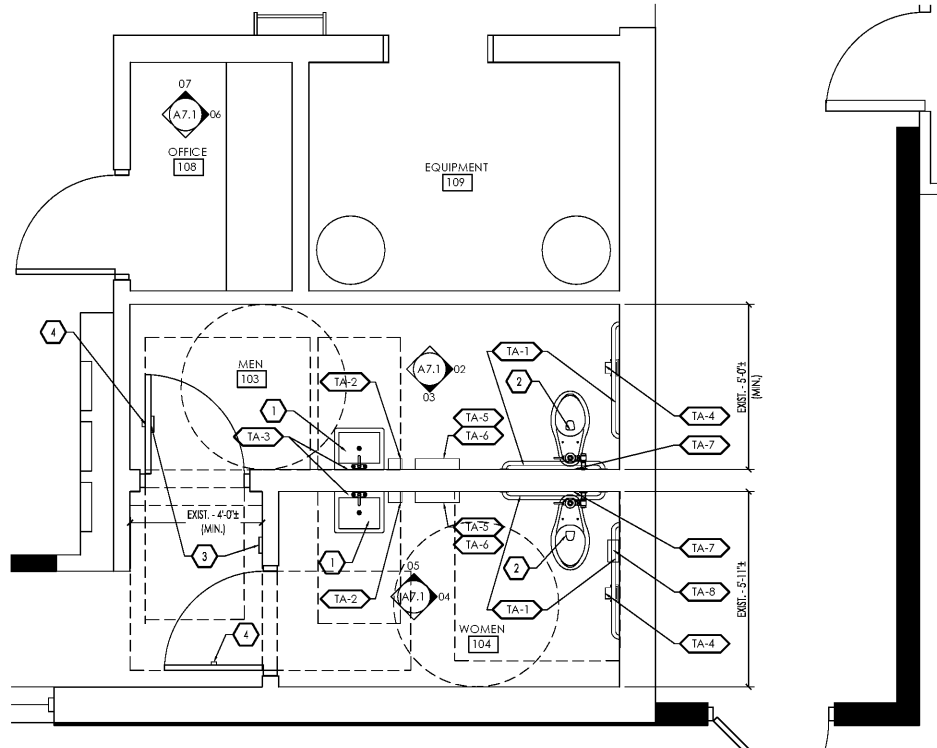
04 INT. ELEV @ WOMEN  
A7.1 SCALE: 3/8"= 1'-0"



03 INT. ELEV @ MEN  
A7.1 SCALE: 3/8"= 1'-0"



02 INT. ELEV @ MEN  
A7.1 SCALE: 3/8"= 1'-0"



01 ENLARGED RESTROOM PLAN  
A7.1 SCALE: 3/8"= 1'-0"

GENERAL NOTES:

- FOR INTERIOR FINISH SCHEDULE REFER TO INTERIOR DECOR DRAWINGS.
- NEW PLUMBING FIXTURES AND ACCESSORIES ARE TO BE PROVIDED BY G.C. EXCEPT SOAP DISPENSER, HAND SANITIZER & SEAT COVER DISPENSER WHICH ARE SUPPLIED BY VENDOR (ECOLAB) AND INSTALLED BY G.C.
- ALL PLUMBING FIXTURES, FAUCETS, AND ACCESSORIES (INCLUDING OWNER AND VENDOR SUPPLIED ITEMS) TO BE ADA COMPLIANT - SEE TI.3 & TI.4 FOR FURTHER CLARIFICATION - CONTACT THE ARCHITECT FOR CLARIFICATION ON ANY ITEMS THAT ARE UNCLEAR PRIOR TO INSTALLATION.
- AT ALL INTERIOR TILE CORNERS & DOOR FRAME INTERSECTIONS LEAVE-OUT GROUT AND INSTALL SANDED SEALANT TO MATCH ADJACENT GROUT AS 'SOFT JOINT'.

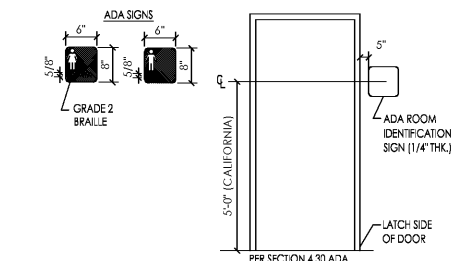
CONSTRUCTION KEY NOTES

- LAVATORY & FAUCET - ZURN -Z5314 - KOHLER K-15590 W/ 10 TEMP. LIMITED DEVICE & ADA COMPLIANT GUARD.
- TOILET - REPLACE W/ AMERICAN STANDARD 24670 "CANFJ" W/ LOCKING TANK AND BEMIS LOCK.
- NEW RESTROOM SIGNAGE - SEE DETAIL INFORMATION ON THIS SHEET. PROVIDE AS LAMINATED W/ WHITE LETTERING ON CORRIDOR-SIDE OF DOOR.
- TOILET SEAT COVER HOOK - BOBRICK MODEL 48-6716 - INSTALL ON TOILET SEAT COVER HOOK @ 4" TO TOP OF HOOK.

ACCESSORY LEGEND:

- GRAB BAR(S) - 36" REAR-WALL, 42" SIDE-WALL & 18" VERTICAL - BOBRICK B-5806 - CARRY CAPACITY 250 LBF.
- WALL MOUNTED SOAP DISPENSER & HAND SANITIZER DISPENSER - REMOVE & REPLACE WITH THOSE SUPPLIED BY ECOLAB AND INSTALLED BY G.C.
- MIRROR (BOTTOM OF REFLECTIVE SURFACE AT 40" MAXIMUM HEIGHT) - REUSE EXIST. IF POSSIBLE - IF REPLACEMENT REQUIRED USE: BOBRICK B-165-1836 (18"x36") W/ THEFT RESISTANT SCREWS.
- TOILET PAPER DISPENSER - SAN JAMAR - R4000TK.
- PAPER WASTE RECEPTACLE - BOBRICK B-3644. MOUNT BOTTOM @ 4" AFF. DIRECTLY BELOW TOWEL DISPENSER.
- PAPER TOWEL DISPENSER - SAN JAMAR - TI490TK.
- TOILET SEAT COVER DISPENSER - G.C. TO INSTALL AS PROVIDED BY VENDOR.
- SANITARY NAPKIN DISPOSAL - BOBRICK B-270.

ADA RESTROOM SIGNAGE:



- CHARACTERS AND SYMBOLS SHALL CONTRAST WITH THEIR BACKGROUND.
- IDENTIFICATION SYMBOLS ARE TO BE ON THE WALL ADJACENT TO THE LATCH SIDE OF THE DOOR. MOUNT SIGN SO THAT THE BASELINE OF THE LOWEST TACTILE CHARACTERS ARE AT 48" MINIMUM, TO 60" MAXIMUM TO THE BASELINE OF THE HIGHEST TACTILE CHARACTERS.
- LETTERS & NUMBERS ON SIGNS SHALL BE RAISED 1/32" MIN., SHALL BE A MIN. OF 5/8" HIGH & SHALL BE SANS-SERIF UPPERCASE CHARACTERS. A.D.A. SIGNAGE ACCOMPANIED BY GRADE 2 BRAILLE.
- REGULATORY SIGNS TO BE TYPICALLY ADA COMPLIANT TACTILE 3-D PLAQUES PER CODE REQUIREMENTS.
- SIGNS TO BE A TYPICAL ONE PIECE INJECTION MOLDED FABRICATION WITH RAISED SECOND SURFACE GRAPHICS.
- SIGN TO BE A CUSTOM COLOR TO MATCH PMS 262C WITH WHITE GRAPHICS.
- BRAILLE SHOWN IS FOR PLACEMENT ONLY. USE CORRECT BRAILLE FOR SIGN PRODUCTION.
- 3-D TACTILE PLAQUES CAN BE OBTAINED FROM: AMERICAN RAFT CORPORATION (SIGN LANGUAGE) 904 4TH STREET WEST PALMETTO, FL 34221 PH# 1-800-237-3984 FAX. # 1-813-723-2452

ADA MOUNTING HEIGHTS & DIMENSIONS	
(SEE TI.2 & TI.3 FOR FURTHER CLARIFICATION)	
ITEMS	DIMENSION (INCHES)
TOP OF TOILET SEAT - HEIGHT AFF	17 - 19
TOILET FROM SIDE-WALL	16 - 18
GRAB BAR(S) - HORIZONTAL - HEIGHT AFF	32 - 36
GRAB BAR - VERTICAL - HEIGHT AFF	39 - 41
TOILET PAPER IN FRONT OF TOILET - DIST. FROM FRONT	7 - 9
NAPKIN DISPOSAL (AT WOMENS) - DIST FROM FRONT	12 MAX.
DISPENSER OR MIRROR HEIGHT (TO REFLECTIVE SURF.)	40 MAX.
LAVATORY / SINK RIM HEIGHT - HEIGHT AFF	34 MAX.
LAVATORY / SINK KNEE CLEARANCE - HEIGHT AFF	29 MAX.
URINAL LIP HEIGHT - AFF	17 MAX.
URINAL FLUSH HANDLE HEIGHT - AFF	44 MAX.

06/11/2018  
CHECKED BY: MRS. J. H. BURGER KING  
DATE: 01/05/17/18  
REVISED SET: 02, 03, 04, 05, 06, 07

**BURGER KING**

PREMIER HOLDINGS OF GEORGIA, LLC  
3838 Stewart Road, Unit A  
Doraville, GA 30040

2124 North Avenue  
Atlanta, GA 30303  
Phone: (404) 322-1751  
Fax: (404) 322-1778  
email: info@hphha.com  
www.hphha.com

James M. Huxester  
architect AIA

architecture • planning • interior design

05.11.18  
STATE OF GEORGIA  
JAMES M. HUXESTER  
REGISTERED ARCHITECT

PROJECT #1702615  
IMAGE 20/20 - JULY 2012 STANDARDS

BURGER KING  
998 SUNSET BLVD.  
JESUP, GA 31545

ENLARGED PLANS, INT. ELEV., & DETAILS

A7.1