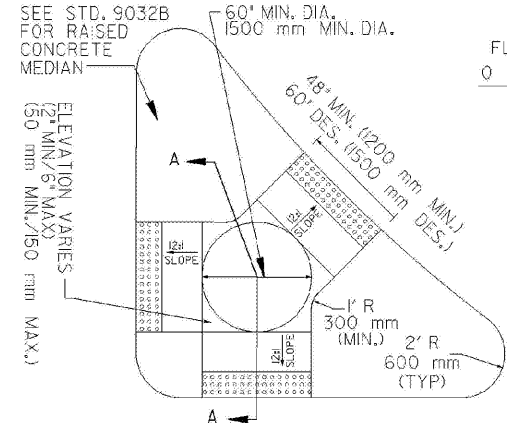
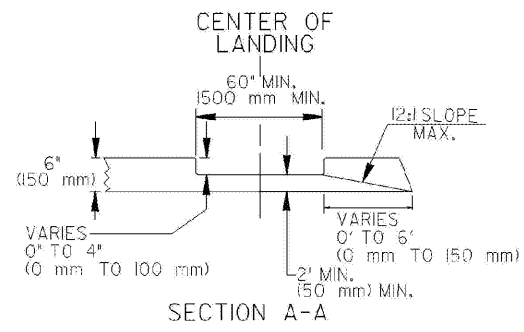
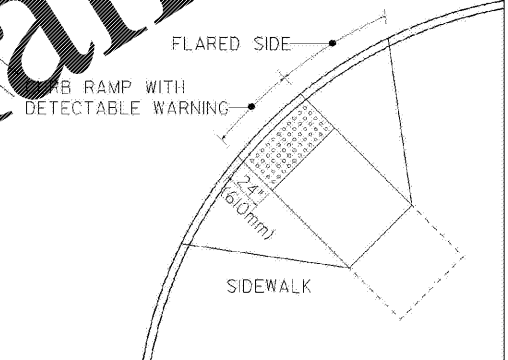
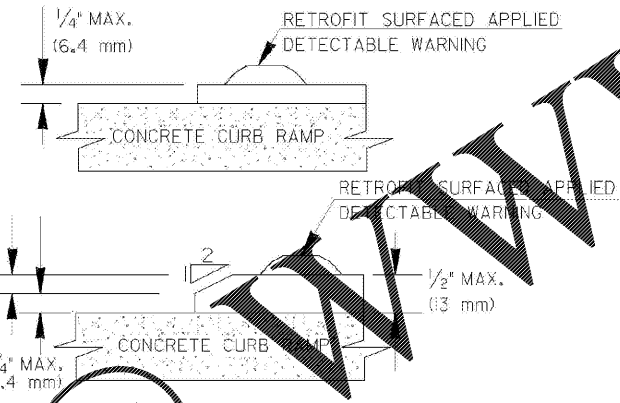
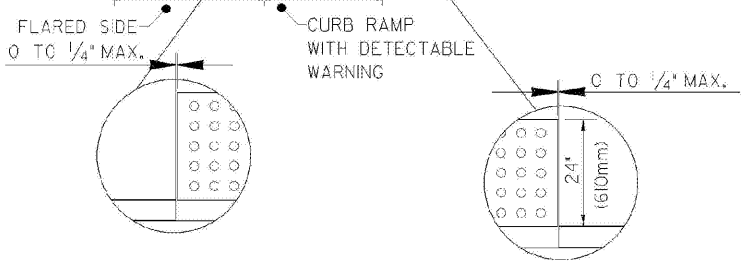
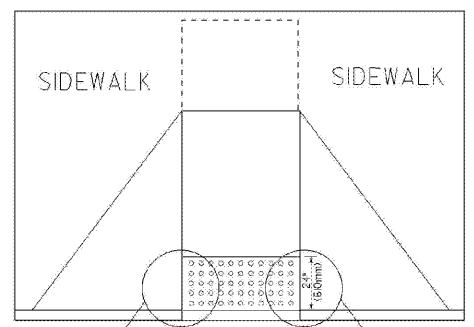


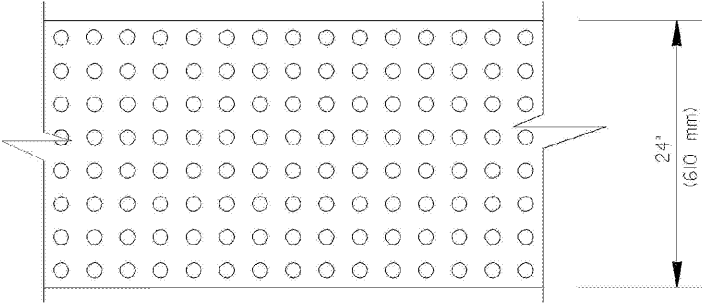
STATE	PROJECT NUMBER	SHEET NO.	TOTAL SHEETS
GA.	T.O. T6016-2	18	23



CONCRETE ISLAND WITH ELEVATED CUT THROUGH



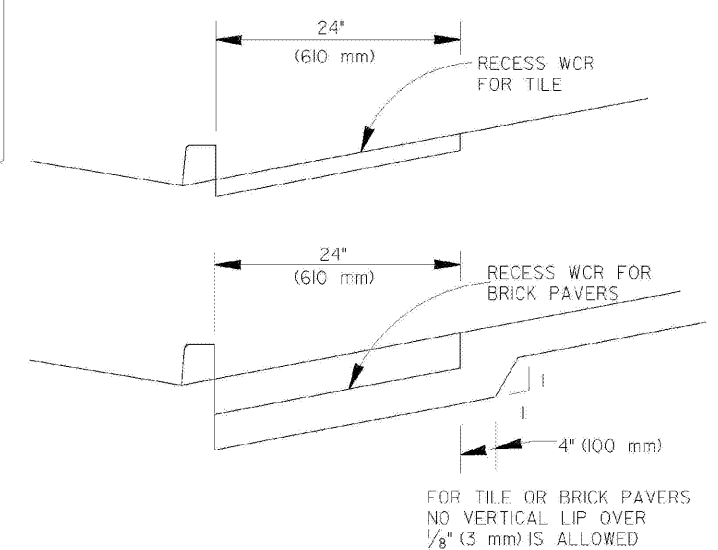
DETAIL FOR DETECTABLE WARNING AT CUT-THRU CONCRETE ISLAND



SIZE: DETECTABLE WARNINGS SHALL BE 24 INCHES (610 mm) IN THE DIRECTION OF PEDESTRAIN TRAVEL AND EXTEND THE FULL WIDTH OF THE CURB RAMP OR FLUSH SURFACE.
LOCATION: THE DETECTABLE WARNING SHALL BE LOCATED SO THAT THE EDGE NEAREST THE CURB LINE OR OTHER POTENTIAL HAZARD IS 6 TO 8 INCHES (150 mm TO 180mm) FROM THE CURB LINE OR THE DYNAMIC ENVELOPE OF RAIL OPERATIONS.
DOMES SIZE AND SPACING: TRUNCATED DOMES SHALL HAVE A BASE DIAMETER OF 0.9 INCH TO 1.4 INCH (23mm-36mm) AT THE BOTTOM, A DIAMETER OF 0.45 INCH TO 0.91INCH (11mm-23mm) AT THE TOP, THE TOP DIAMETER SHALL BE A MINIMUM OF 50% AND A MAXIMUM OF 65% OF THE BASE DIAMETER, A HEIGHT OF 0.2 INCH (5.1mm) AND A CENTER-TO-CENTER SPACING OF 2.40 INCHES (61mm) DESIRABLE 1.60 INCHES (41mm) MINIMUM MEASURED ALONG ONE SIDE OF A SQUARE ARRANGEMENT. DOMES SHALL HAVE A SQUARE ARRANGEMENT. DOMES SHALL BE ALIGNED ON A SQUARE GRID IN THE PREDOMINANT DIRECTION OF TRAVEL TO PERMIT WHEELS TO ROLL BETWEEN DOMES.
VISUAL CONTRAST: DETECTABLE WARNING SURFACES SHALL CONTRAST VISUALLY WITH THE ADJACENT WALKING SURFACE EITHER LIGHT-ON-DARK OR DARK-ON-LIGHT. THE MATERIAL USED TO PROVIDE VISUAL CONTRAST SHALL BE AN INTEGRAL PART OF THE DETECTABLE WARNING SURFACE.

MATERIALS:
NEW CONSTRUCTION
 THE DETECTABLE WARNINGS SHALL BE MADE OF MATERIALS SPECIFIED ON DET-87.
RETROFIT OF EXISTING RAMP SURFACED APPLIED MATERIALS
 SURFACED APPLIED MATERIALS SHALL ONLY BE APPROVED TO BE USED ON EXISTING WHEELCHAIR RAMPS.
INSTALLATION:
 BRICK PAVERS SHALL BE SET IN A WET MORTAR BED. THE BED SHALL BE PLACED ON CONCRETE. THE CONCRETE SHALL BE A MINIMUM OF 2 INCHES THICK.
 CERAMIC TILE SHALL BE EPOXIED IN PLACE OR SET IN A WET MORTAR BED. MANUFACTURER RECOMMEND ADHESIVE OR FASTENER SHALL BE USED IN THE INSTALLATION.
 ALL OTHER MATERIALS SHALL BE INSTALLED ACCORDING TO MANUFACTURES DETAILS OR INSTRUCTION.

- GENERAL NOTES:**
- RETROFIT SURFACED APPLIED MATERIALS ONLY:
 1. CHANGES IN LEVEL OF 1/4" (6.4 mm) HIGH MAXIMUM SHALL BE PERMITTED VERTICALLY ON SURFACED APPLIED MATERIALS.
 2. CHANGES IN LEVEL BETWEEN 1/4" (6.4 mm) HIGH MINIMUM AND 1/2" (13mm) HIGH MAXIMUM SHALL BE BEVELED WITH A SLOPE NOT STEEPER THAN 2:1.



FOR TILE OR BRICK PAVERS NO VERTICAL LIP OVER 1/8" (3 mm) IS ALLOWED

NO SEPARATE PAYMENT WILL BE MADE FOR THE DETECTABLE WARNINGS. THE COST SHALL BE INCLUDED IN THE PRICE BID FOR SIDEWALK (OR CURB CUT RAMP) (THE ITEM) INCLUDED IN THE PROPOSAL.

FOR ALL THE ISLANDS AND EXISTING RAMPS, WHERE NO SIDEWALK OR CURB CUT RAMPS ARE IN THE PROPOSAL. THE COST OF THE DETECTABLE WARNINGS SHALL BE INCLUDED IN THE OVERALL BID PRICE SUBMITTED.

NOTE: PER CITY OF SANDY SPRINGS REQUIREMENTS, DETECTABLE WARNING SURFACE SHALL BE 'RED' IN COLOR.

6-18-09		DEPARTMENT OF TRANSPORTATION	
ADDED RETROFIT DETAIL AND ADDED ALT. RAMP DETAIL AND GEN. NOTES		STATE OF GEORGIA	
0-2-06		SPECIAL DETAIL	
ADDED TOLERANCE TO DTL.		DETECTABLE WARNING SURFACE TRUNCATED DOME SIZE, SPACING AND ALIGNMENT REQUIREMENTS	
5-10-06		NO SCALE	
REVISED TRUNCATED DOMES AND NOTES.		MARCH 12, 2002	
11-14-02		NUMBER	
REVISED		40-02	
DATE		A4	

Order Plans @