

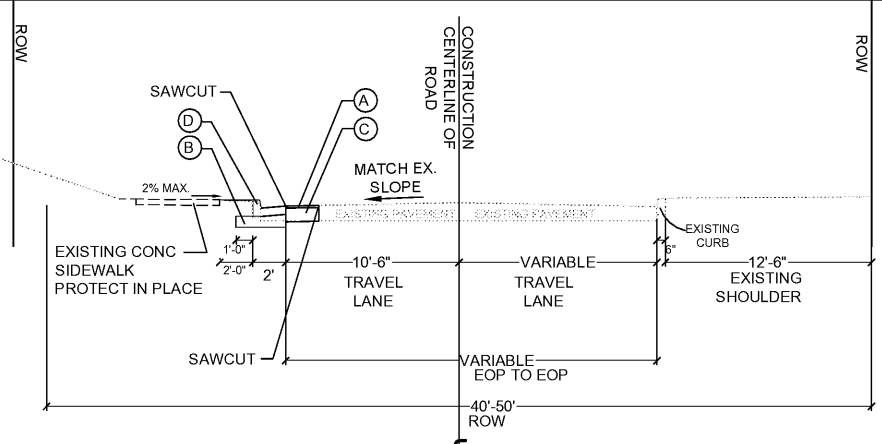
| KEY DEPTH | WALL HEIGHT |
|-----------|-------------|
| 1'-0" | 1'-0" |
| 1'-4" | 2'-0" |
| 1'-8" | 3'-0" MAX. |

NOTES:
1. CONTRACTOR TO PROVIDE COMPACTED BACKFILL UNDER SLAB

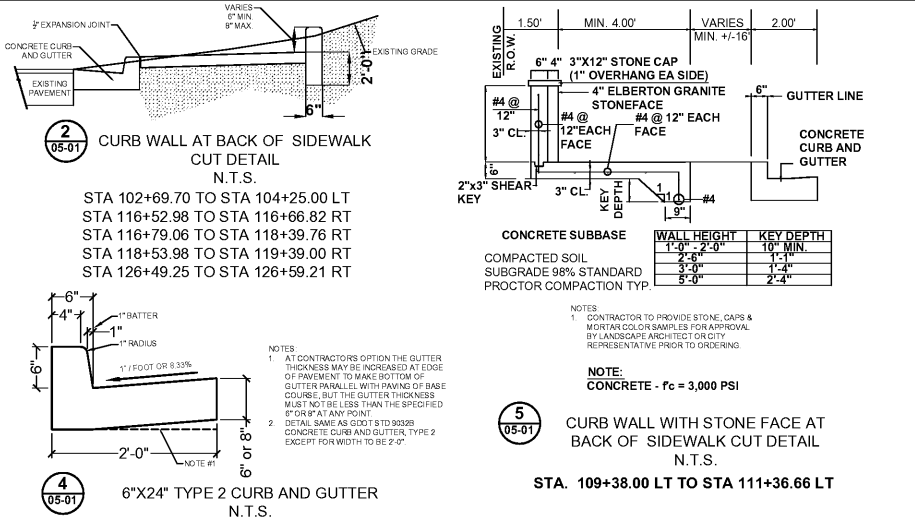
LOADS:
SURCHARGE = 0 PSF

MATERIALS:
CONCRETE REINFORCING

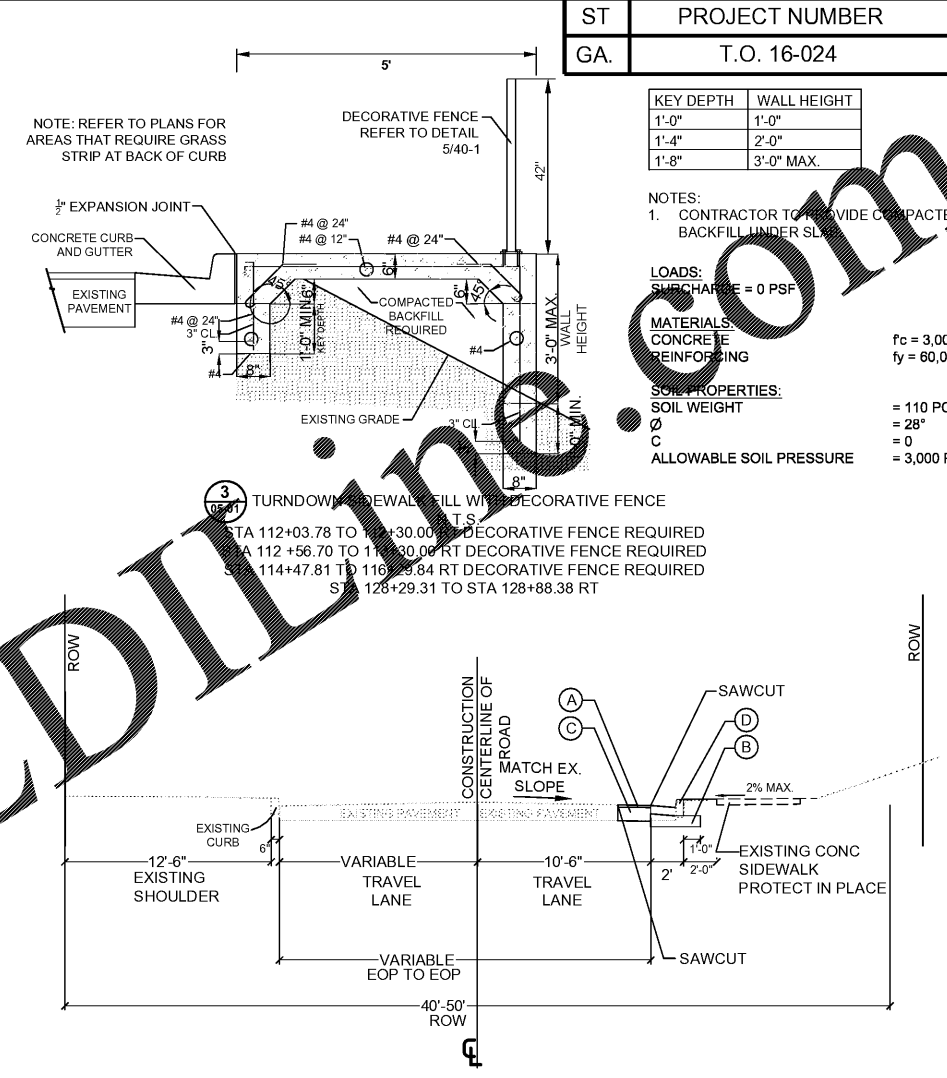
SOIL PROPERTIES:
SOIL WEIGHT = 110 PCF
φ = 28°
C = 0
ALLOWABLE SOIL PRESSURE = 3,000 PSF



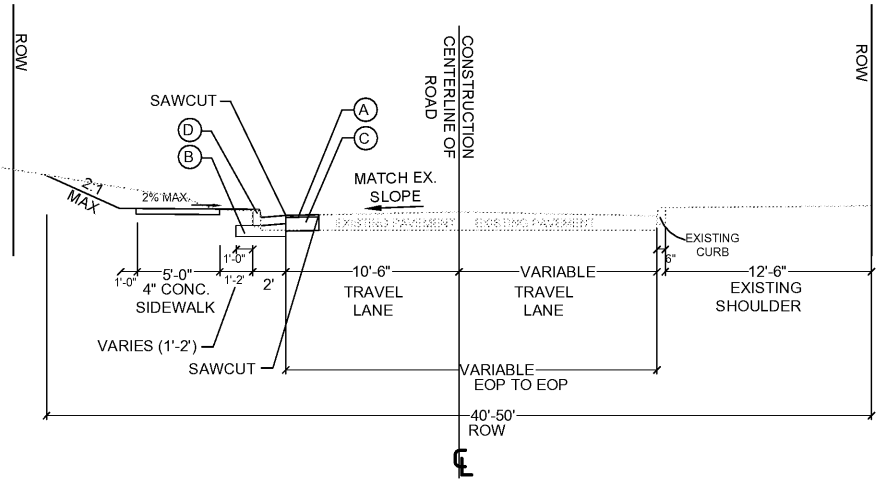
PROPOSED TYPICAL STREET SECTION 3
MAINTAIN EXISTING SIDEWALK LT
STA 105+73.81 TO STA 106+54.36 LT



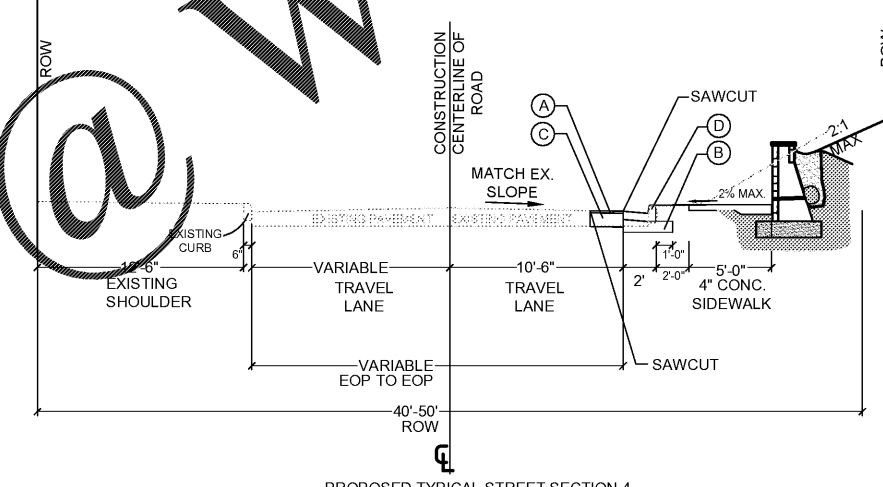
PROPOSED TYPICAL STREET SECTION 5
SIDEWALK BACK OF CURB RT
STA 111+77.32 TO STA 119+91.87 RT
STA 125+50 TO STA 130+00 RT
STA 136+01.17 TO STA 143+62.98 RT
STA 139+50.00 TO STA 143+20.67 LT (C&G ONLY, NO SIDEWALK)



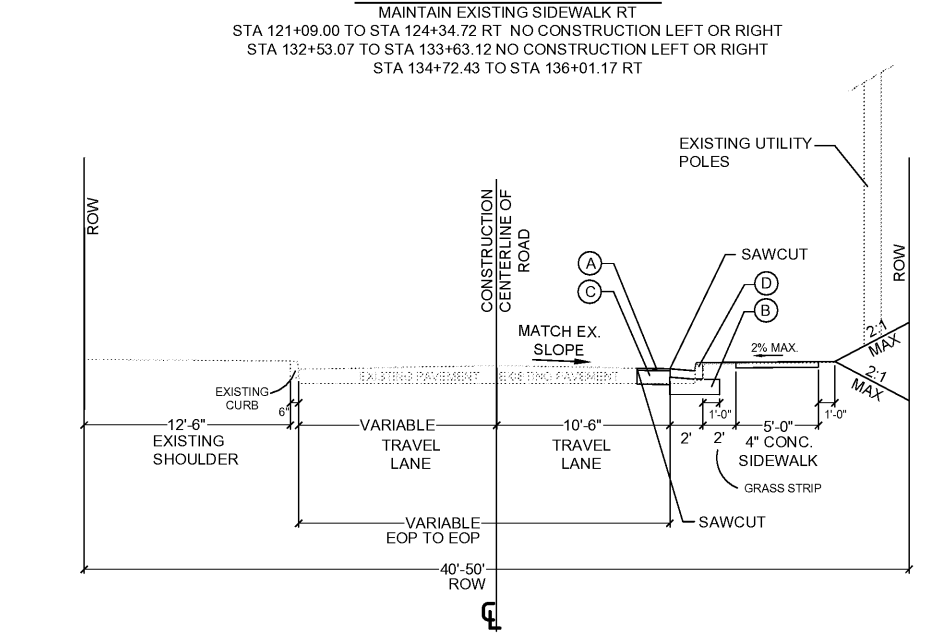
PROPOSED TYPICAL STREET SECTION 7
MAINTAIN EXISTING SIDEWALK RT
STA 121+09.00 TO STA 124+34.72 RT NO CONSTRUCTION LEFT OR RIGHT
STA 132+53.07 TO STA 133+63.12 NO CONSTRUCTION LEFT OR RIGHT
STA 134+72.43 TO STA 136+01.17 RT



PROPOSED TYPICAL STREET SECTION 2
PROPOSED 5' SIDEWALK WITH 2' GRASS STRIP LT
STA 102+36.03 LT TO STA 102+69.66 LT
STA 104+30.61 TO STA 105+73.81 LT
STA 106+54.36 TO STA 106+84.91 LT
STA 108+66.73 TO STA 109+38.00 (EXCEPT DUDLEY CT)
STA 109+38.00 TO STA 111+36.66 LT (SEE DETAIL 5/5-01)



PROPOSED TYPICAL STREET SECTION 4
5' SIDEWALK WITH 2' GRASS STRIP AND WALL RT
STA. 110+90.22 RT TO STA 111+77.32 RT (WALL #3)

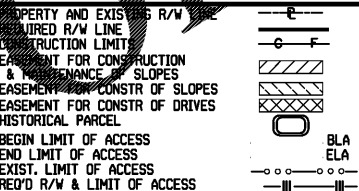


PROPOSED TYPICAL STREET SECTION 6
5' SIDEWALK WITH 2' GRASS STRIP RT
STA 119+50 TO STA 121+09 RT
STA 124+34.72 TO 125+50 RT
STA 130+50.00 TO STA 132+59.70
STA 133+63.12 TO STA 134+72.43 RT SEE 1/5-01

| PAVEMENT MATERIAL SCHEDULE | |
|----------------------------|--|
| (A) | 1.5" RECYCLED ASPH.CONC. 9.5 MM SUPERPAVE, GP 2 ONLY, POLYMER-MODIFIED - AS NEEDED |
| (B) | GRADED AGGREGATE BASE COURSE, 12" |
| (C) | CLASS "B" CONCRETE PAVEMENT WIDENING, 10" THICK. AS NEEDED. MAX 5' WIDTH. |
| (D) | CONCRETE CURB AND GUTTER 05-01/4 AND GDOT STD. 9032B 6"X24", TYPE 2 |

- NOTE:
1. BITUM TACK COAT TO BE APPLIED BETWEEN THE LAYERS OF ASPHALT.
2. REFER TO LAYOUT PLAN FOR EXISTING AND PROPOSED ROW LOCATIONS.
3. MAINTAIN EXISTING CROWN OF ROADWAY.

M:\DSS - Task Order 16-024 - Dudley Lane Sidewalk Project\Cad\05 TYPICAL SECTIONS.dwg Mar 19, 2018 - 10:44am hoye6741

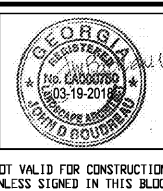


ATKINS
1600 RIVEREDGE PARKWAY, NW
SUITE 700
ATLANTA, GEORGIA 30328
770-933-0280

SANDY SPRINGS
GEORGIA

ATKINS
JOB NO. 100051166
DRAWN RID
DESIGNED JDB
CHECKED JDB
QC

DATE 02-29-18
REVISIONS # 1 - STA. 139+50.00 - 143+20.67 LEFT



| DATE | REVISIONS |
|----------|---------------------------------------|
| 02-29-18 | # 1 - STA. 139+50.00 - 143+20.67 LEFT |

CITY OF SANDY SPRINGS
PUBLIC WORKS
TYPICAL SECTIONS
DUDLEY LANE SIDEWALK
PROJECT (T.O. 16-024)
DRAWING NO. 5-01