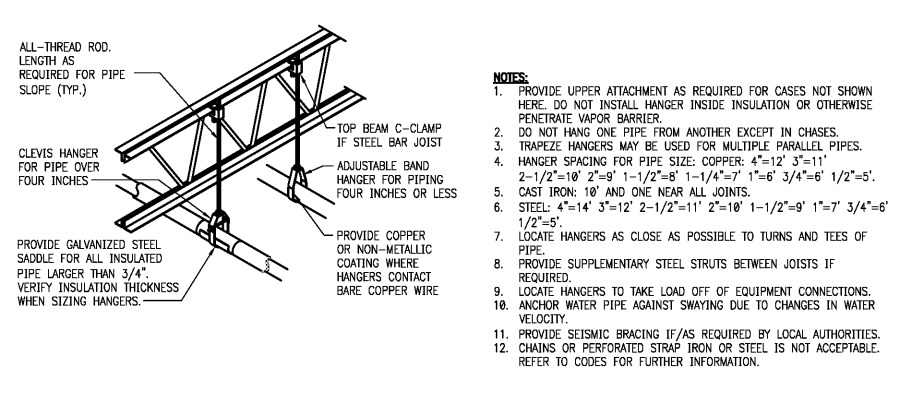
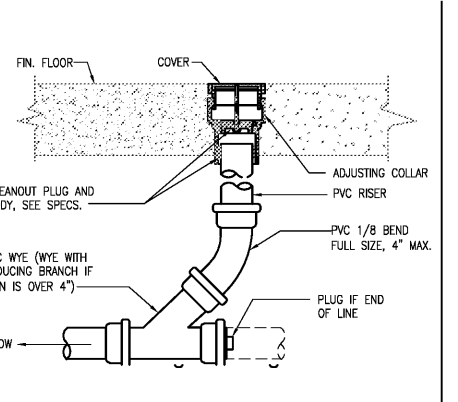


1 TRAP PRIMER @ RESTROOMS DETAIL  
NTS

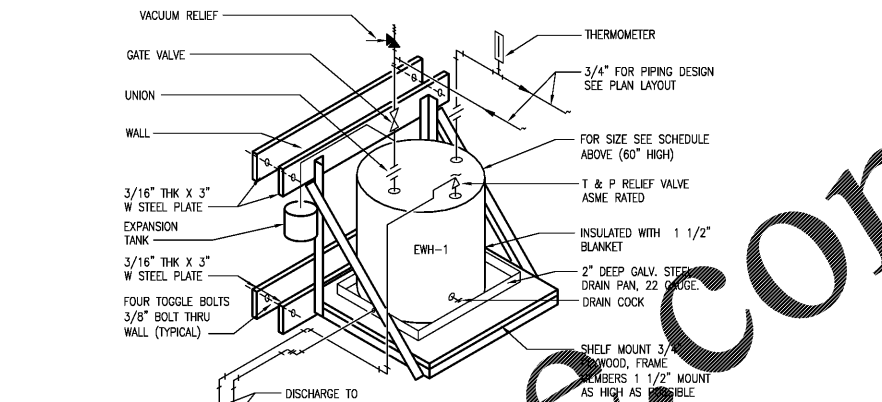


2 PIPE HANGER DETAIL  
NTS

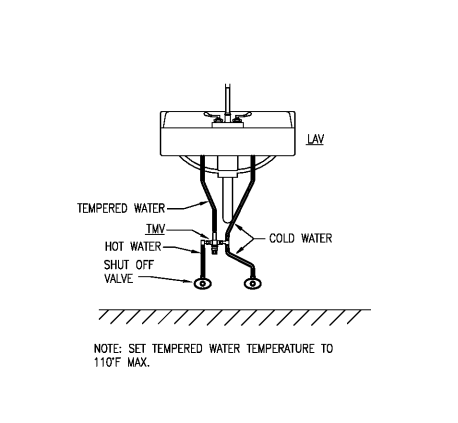
- NOTES:
1. PROVIDE UPPER ATTACHMENT AS REQUIRED FOR CASES NOT SHOWN HERE. DO NOT INSTALL HANGER INSIDE INSULATION OR OTHERWISE PENETRATE VAPOR BARRIER.
  2. DO NOT HANG ONE PIPE FROM ANOTHER EXCEPT IN CHASES.
  3. TRAPEZE HANGERS MAY BE USED FOR MULTIPLE PARALLEL PIPES.
  4. HANGER SPACING FOR PIPE SIZE: COPPER: 4"=12' 3"=11' 2-1/2"=10' 2"=9' 1-1/2"=8' 1-1/4"=7' 1"=6' 3/4"=6' 1/2"=5'.
  5. CAST IRON: 10' AND ONE NEAR ALL JOINTS.
  6. STEEL: 4"=14' 3"=12' 2-1/2"=11' 2"=10' 1-1/2"=9' 1"=7' 3/4"=6' 1/2"=5'.
  7. LOCATE HANGERS AS CLOSE AS POSSIBLE TO TURNS AND TEES OF PIPE.
  8. PROVIDE SUPPLEMENTARY STEEL STRUTS BETWEEN JOISTS IF REQUIRED.
  9. LOCATE HANGERS TO TAKE LOAD OFF OF EQUIPMENT CONNECTIONS.
  10. ANCHOR WATER PIPE AGAINST SWAYING DUE TO CHANGES IN WATER VELOCITY.
  11. PROVIDE SEISMIC BRACING IF/AS REQUIRED BY LOCAL AUTHORITIES. CHAINS OR PERFORATED STRAP IRON OR STEEL IS NOT ACCEPTABLE. REFER TO CODES FOR FURTHER INFORMATION.
  - 12.



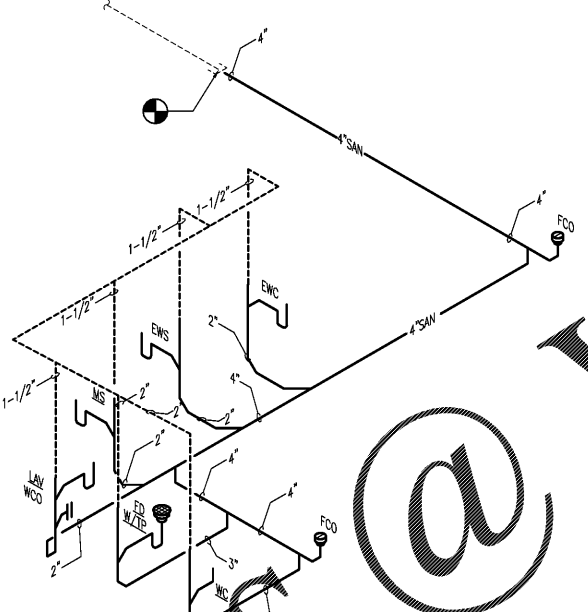
3 FLOOR CLEANOUT DETAIL  
NTS



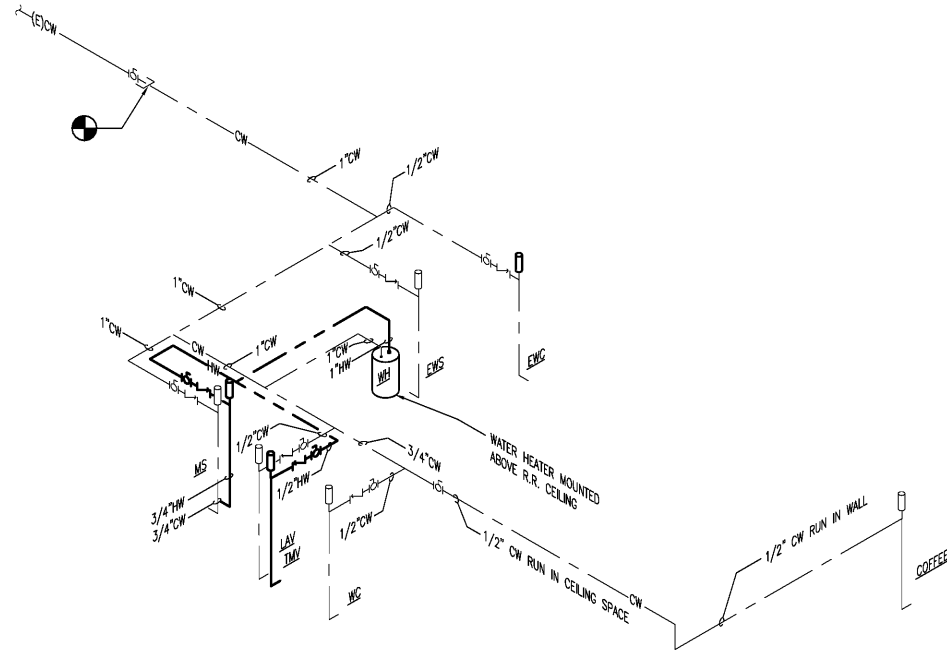
4 SHELF WALL MOUNTED WATER HEATER DETAIL  
NTS



5 THERMOSTATIC MIXING VALVE DETAIL  
NTS



WASTE RISER DIAGRAM  
NTS



WATER RISER DIAGRAM  
NTS

Order Plans @ WWW.LDILine.com

NO	DATE	REMARKS
04.04.18	PERMIT SUBMIT	
03.26.18	OWNER REVIEW	
03.23.18	OWNER REVIEW	

SHERWIN WILLIAMS  
8909 IMMOKALEE ROAD  
NAPLES, FL 34120

PROJECT NO: 2018.0102  
DATE: 03.19.18

P102  
PLUMBING RISERS AND DETAILS

CHECKED: PD DRAWN: AC

COPYRIGHT © 2018 INTERPLAN. RESERVES COPYRIGHT & OTHER RIGHTS RESPECTING THESE DOCUMENTS TO THE ORIGINAL USER OR PURSE FOR WHICH THEY WERE PREPARED. REPRODUCTIONS, CHANGES OR ASSIGNMENTS ARE PROHIBITED.