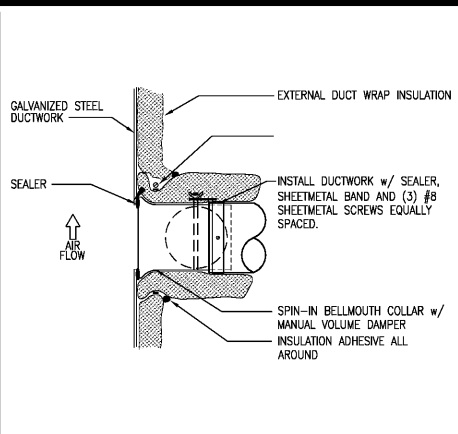
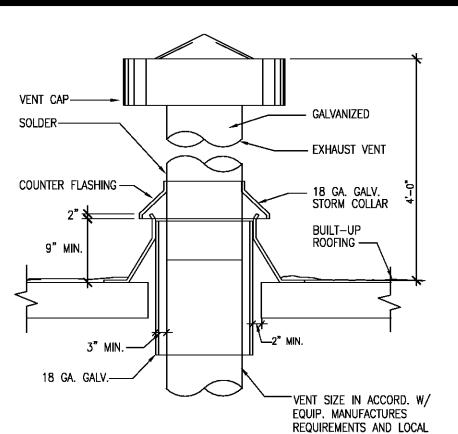


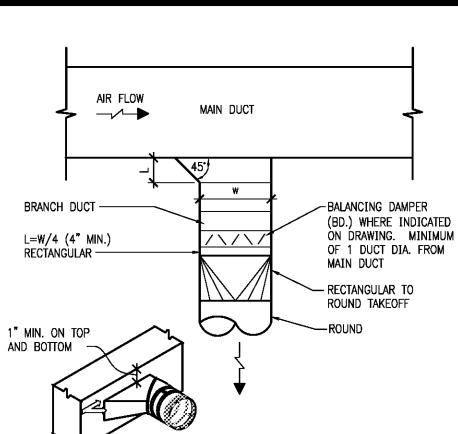
1 CABINET EXHAUST FAN DETAIL NTS



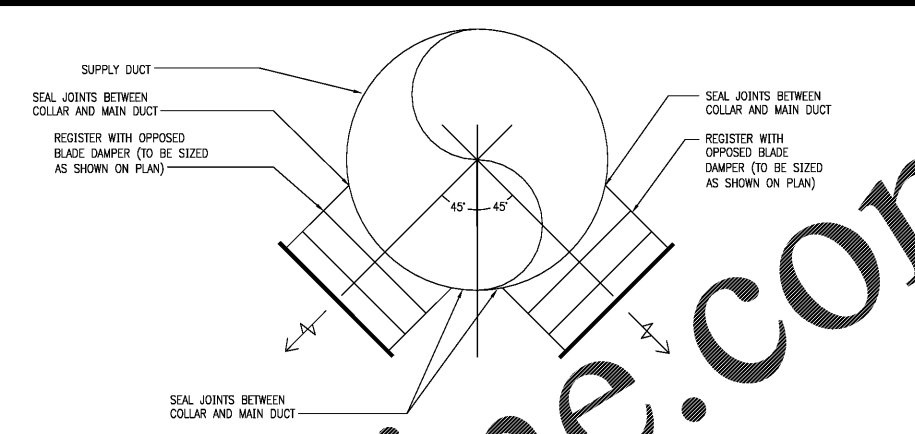
2 CONNECTION DUCT FITTING DETAIL NTS



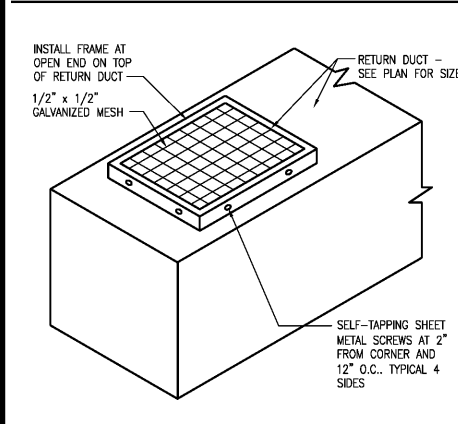
3 EXHAUST VENT THRU ROOF NTS



4 ROUND BRANCH CONNECTION NTS



5 ANGLED 45 DEG. REGISTER INSTALLATION FOR SPIRAL DUCT DETAIL NTS



6 RETURN AIR TOP OF DUCT DETAIL NTS

Order Plans @ [www.LDILine.com](http://www.LDILine.com)

04.04.18	PERMIT SUBMIT
03.26.18	OWNER REVIEW
03.23.18	OWNER REVIEW
NO DATE	REMARKS
REVISIONS	

SHERWIN  
WILLIAMS  
8909 IMMOKALEE ROAD  
NAPLES, FL 34120

PROJECT NO: 2018.0102  
DATE: 03.19.18

M301  
MECHANICAL DETAILS

CHECKED: AS DRAWN: AC