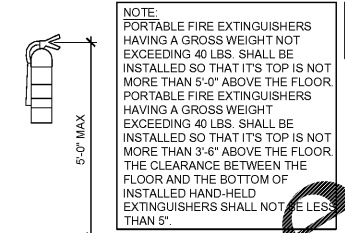


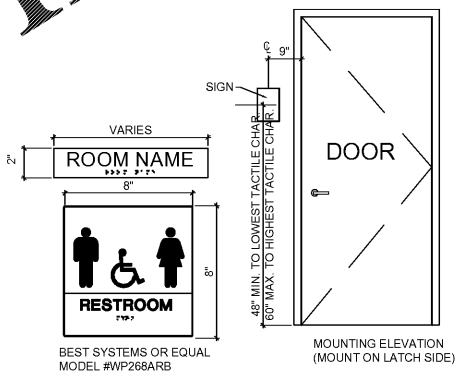
NOTE:  
PROVIDE MIN TYPE 2A 10BC FIRE EXTINGUISHERS WITH MAX TRAVEL DISTANCES OF 75' (150' O.C.) MOUNTED BETWEEN 5' AND 5' AND NOT PROTRUDE MORE THAN 4" INTO A CIRCULATION PATH WHEN LEADING EDGE BETWEEN 27" AND 80" A.F.F. HARDWARE TO F.E.C. SHALL BE AT ACCESSIBLE HEIGHTS & LOCATIONS REFER TO DETAIL 17/A501 FOR MOUNTING INFORMATION



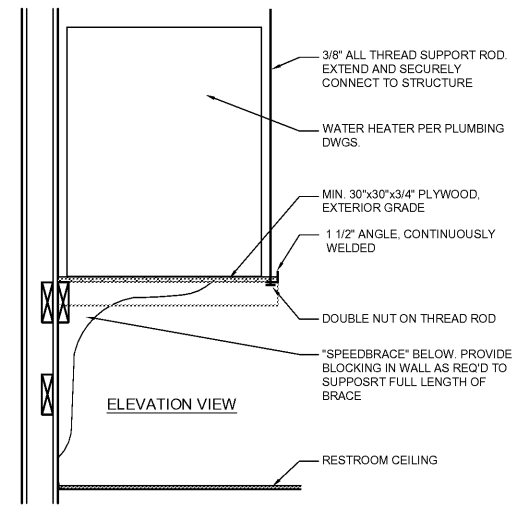
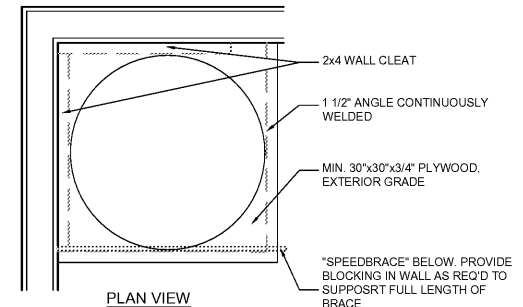
NOTE:  
FIRE EXTINGUISHERS PROVIDED BY OWNER. COORD. FOR INSTALL.

8 FIRE EXTINGUISHER NOTES  
SCALE: 1" = 1'-0"

- 5/8" HIGH BY 1/32" RAISED LETTERING (UNLESS NOTED OTHERWISE)
- GRADE 2 BRAILLE POSITIONED DIRECTLY BELOW TEXT
- 1/2" RAISED PICTOGRAM WITH 70% CONTRASTING BETWEEN BACKGROUND AND TEXT. FINISH TO BE EGGSHELL COLOR TO BE BLUE BACKGROUND WITH WHITE LETTERS
- SEE ELEVATION FOR MOUNTING INFORMATION

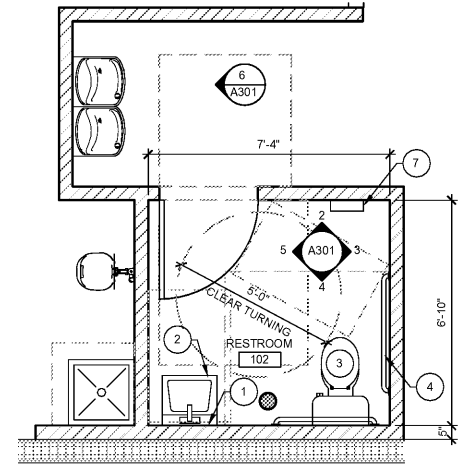


9 ADA SIGNAGE MOUNTING DETAILS  
SCALE: N.T.S.

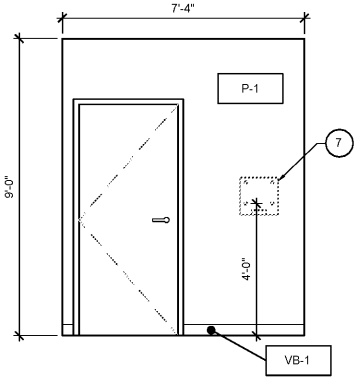


10 WATER HEATER SUPPORT SHELF  
SCALE: 1" = 1'-0"

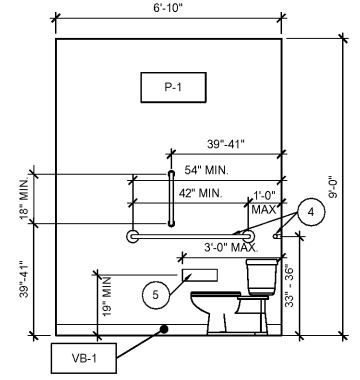
- RESTROOM ACCESSORIES: #
- FRAMELESS 24"x36" MIRROR-PROVIDED AND INSTALLED BY GC. BOTTOM OF REFLECTIVE SURFACE @ 40" A.F.F. MAX. (MIRROR TO BE CENTERED OVER FAUCET) - PROVIDED & INSTALLED BY GC
  - LAVATORY SEE PLUMBING DRAWINGS - PROVIDED AND INSTALLED BY GC
  - WATER CLOSET SEE PLUMBING DRAWINGS - PROVIDED AND INSTALLED BY GC
  - GRAB BAR - BOBRICK OR EQUAL 1-1/2" DIA PEENED NON-SLIP GRIPPING SURFACE. SATIN FINISH. MODEL #B-6206 18", 42", 36". PROVIDED AND INSTALLED BY GC. GC TO PROVIDE BLOCKING AT ALL GRAB BARS.
  - RECESSED TOILET PAPER HOLDER (BOBRICK B-6997, SATIN FINISH STAINLESS STEEL) - PROVIDED AND INSTALLED BY GC
  - PIPE INSULATION-PROVIDED AND INSTALLED BY GC
  - ELECTRIC HAND DRYER - PROVIDED AND INSTALLED BY GC. SEE ELECTRICAL DRAWINGS.



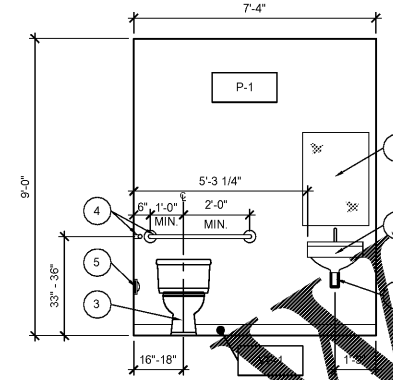
1 ENLARGED RESTROOM PLAN  
SCALE: 3/8" = 1'-0"



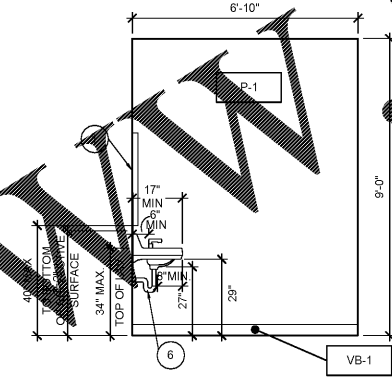
2 RESTROOM INTERIOR ELEVATION  
SCALE: 3/8" = 1'-0"



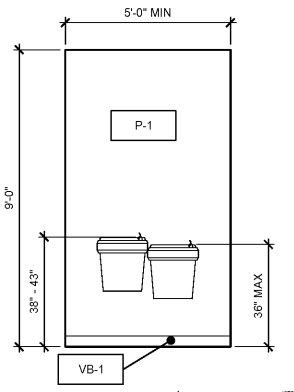
3 RESTROOM INTERIOR ELEVATION  
SCALE: 3/8" = 1'-0"



4 RESTROOM INTERIOR ELEVATION  
SCALE: 3/8" = 1'-0"



5 RESTROOM INTERIOR ELEVATION  
SCALE: 3/8" = 1'-0"



6 DRINKING FOUNTAIN ELEVATION  
SCALE: 3/8" = 1'-0"

Order Plans @

WWW.LDILLINE.COM