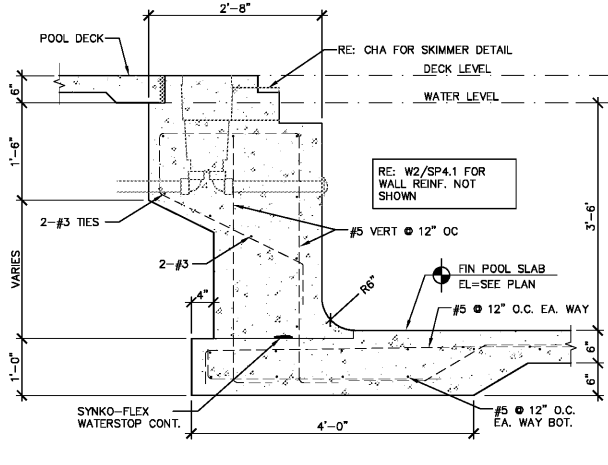
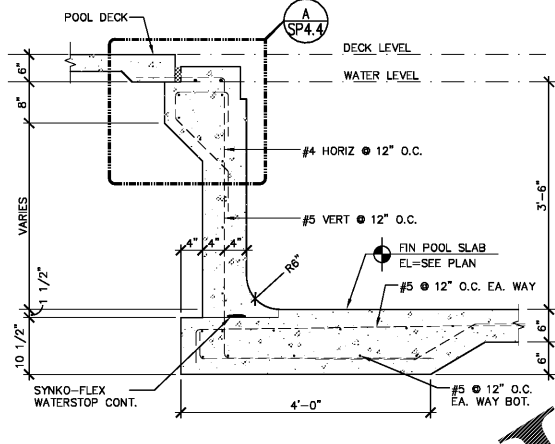


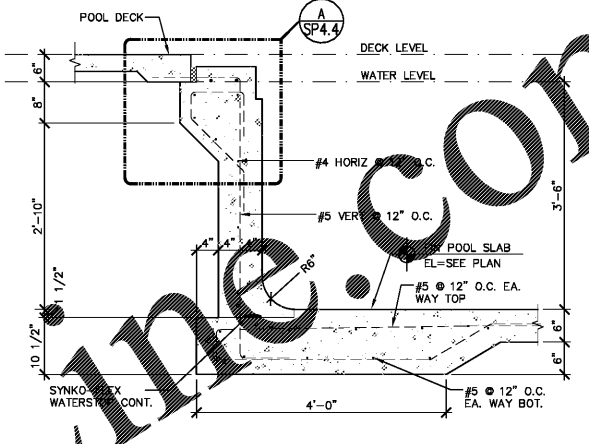
W4 LAZY RIVER - POOL WALL SECTION
SCALE: 3/4" = 1'-0"



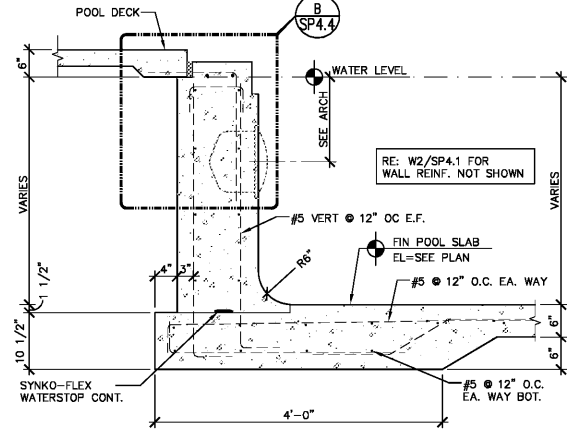
W3 LAZY RIVER - POOL WALL SECTION AT SKIMMER
SCALE: 3/4" = 1'-0"



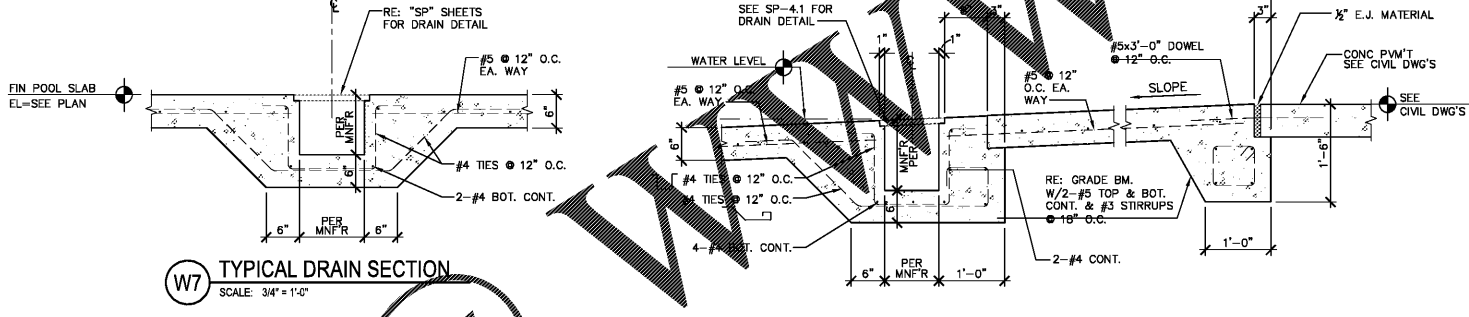
W2 LAZY RIVER - POOL WALL SECTION
SCALE: 3/4" = 1'-0"



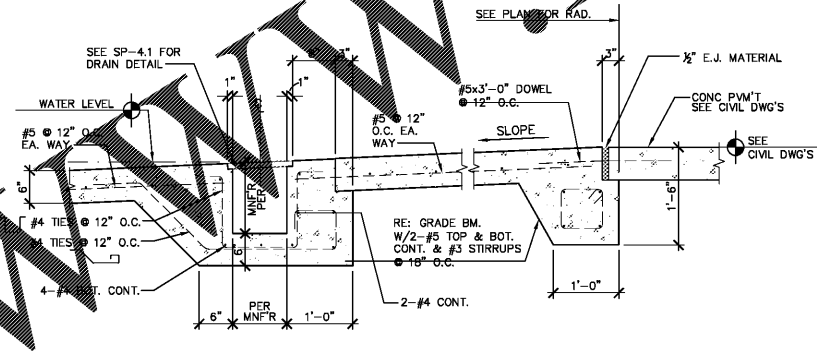
W1 LAZY RIVER - POOL WALL SECTION
SCALE: 3/4" = 1'-0"



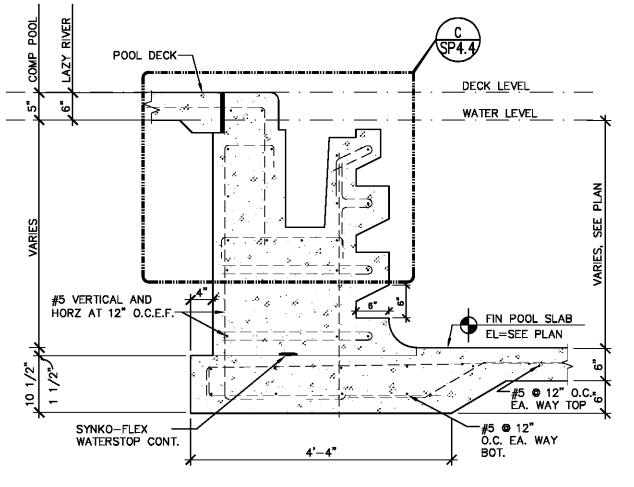
W8 POOL WALL SECTION AT POOL LIGHT
SCALE: 3/4" = 1'-0"



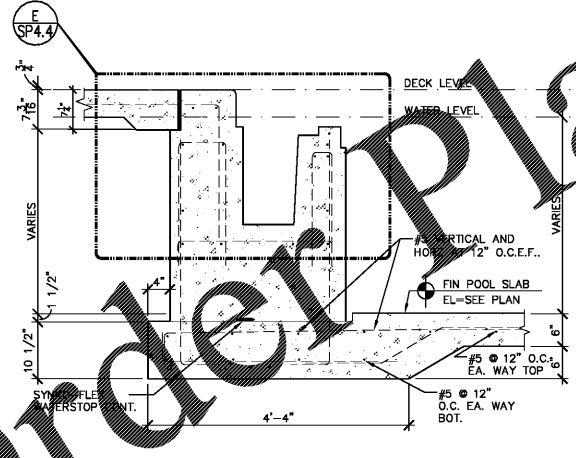
W7 TYPICAL DRAIN SECTION
SCALE: 3/4" = 1'-0"



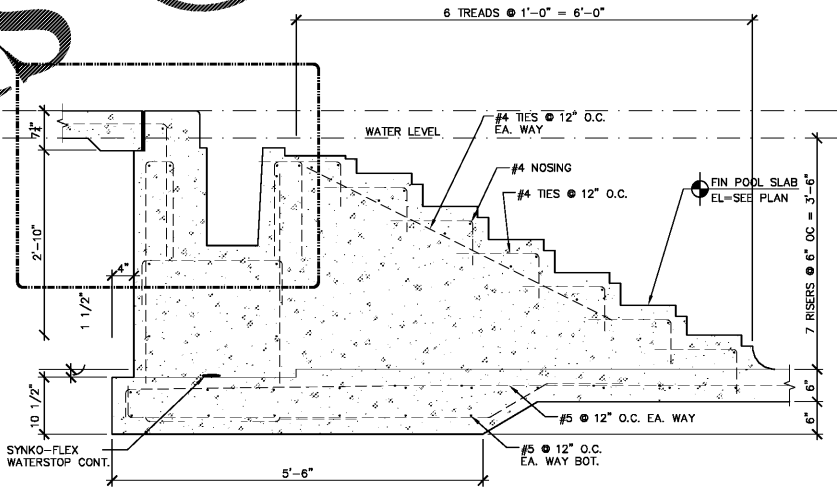
W6 CHILDRENS POOL DRAIN SECTION
SCALE: 3/4" = 1'-0"



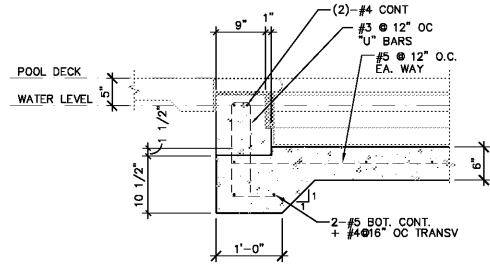
W5 COMPETITION POOL WALL SECTION
SCALE: 3/4" = 1'-0"



W11 COMPETITION POOL WALL SECTION/ LAZY RIVER, CHILDREN'S POOL WALL SECTIONS (SIM)
SCALE: 3/4" = 1'-0"



W10 LAZY RIVER - POOL WALL SECTION
SCALE: 3/4" = 1'-0"



W9 LAZY RIVER POOL SECTION
SCALE: 3/4" = 1'-0"

Digitally signed by JAMES R MEHLTRETTER
DN:
OID.0.9.2342.19200300.100.
1.1-A0109800000158F46F
62F60000CB7,CN=JAMES
R MEHLTRETTER,
O=IdenTrust ACES
Unaffiliated Individual, C=US
Date: 2017.12.15
12:53:35-05'00'

MASTER CONSULTING ENGINEERS, INC.
STRUCTURAL CONSULTANTS
5523 WEST CYPRESS ST., #200
TAMPA, FLORIDA 33607
813.287.3600 FAX 813.287.3822
www.mtcengineers.com
CA: 8426 PROJ NO. 3104-056
© COPYRIGHT 2017

Scale: AS SHOWN
Designed by: SL
Drawn by: JW
Checked by: JRM
Date: DECEMBER 2017
Project No. 48285014

SHEET
SP4.1

**BUTLER PARK
AQUATIC CENTER
CITY OF NORTHPORT, FL**

Professional Engineer
No. 33860
STATE OF FLORIDA
Professional Engineer

Kimley-Horn
2201 West Royal Lane, Suite 275, Irving, Texas 75063
PH: 972.261.1400
FLORIDA REGISTERED ENGINEERING FIRM #99
FLORIDA REGISTERED LANDSCAPE ARCHITECTURE FIRM LC-C000219
© 2017 KIMLEY-HORN AND ASSOCIATES, INC.

Order Plans @

WWW.LDLINE.COM

P:\2000 Projects\104 Water\water\104-006 Butler Park Pool\Name Pool\Drawings\PoolWall_S1.dwg, 12/15/2017 10:46:10 AM, Glenn