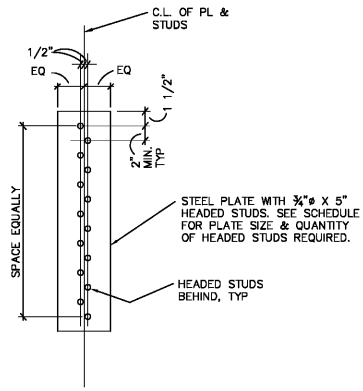


STEEL BEAM TO AT WALL FACE

5-005

EMBED PLATE SCHEDULE AT WALL FACE						
EMBED NO.	BEAM SIZE	PLATE SIZE	NO. OF 3/4" HEADED STUDS	"A" (IN.)	"B" (IN.)	"C" (IN.)
EP1	WB	1/2" X 8" X 10"	4	4	6	7
EP2	W12	1/2" X 8" X 12"	6	4	4	9
EP3	W14	1/2" X 8" X 14"	6	4	5	11
EP4	W16	1/2" X 8" X 16"	8	4	4	13
EP6	W18	1/2" X 8" X 18"	10	6	3 1/2"	15
EP5	HSS-6X4	1/2" X 7 5/8" X 10"	3	4	6	-

- NOTES:
- CONNECT WF STEEL BEAM TO EMBED PLATE PER TYPICAL DETAIL 5-005.

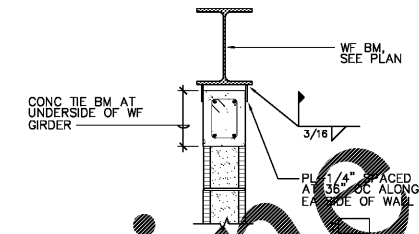


TYP EMBED PLATE @ END WALL OR WALL CORNER

5-006

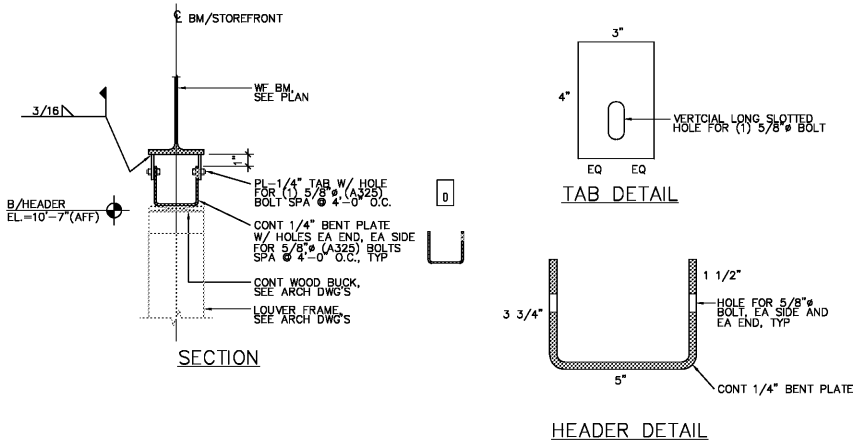
EMBED PLATE SCHEDULE AT END WALL/CORNER			
EMBED NO.	BM SIZE	PLATE SIZE	NO. OF 3/4" HEADED STUDS
EPE-6	WB	1/2" X 7 5/8" X 10"	4
EPE-7	W14	1/2" X 7 5/8" X 17"	8
EPE-8	W18	1/2" X 7 5/8" X 18"	8

- NOTES:
- CONNECT WF STEEL BEAM TO EMBED PLATE PER TYPICAL DETAIL 5-005.



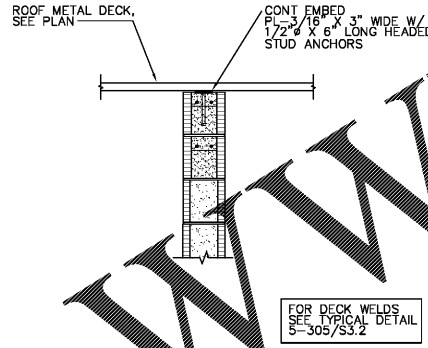
CMU WALL TO WF BEAM CONNECTION DETAIL

5-601



CONT BENT PLATE STORFRONT HEADER SUPPORT FRAMING

5-600

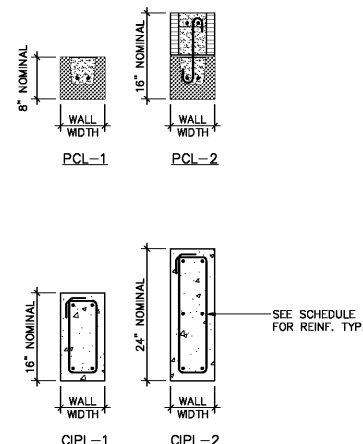


METAL DECK TO BEARING WALL CONNECTION DETAIL

5-602

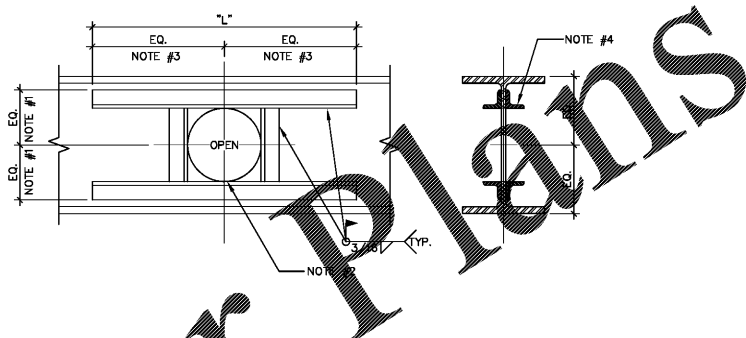
CMU LINTEL SCHEDULE					
WALL THICKNESS	LINTEL DEPTH	BOTTOM REINFORCING	TOP REINFORCING	STIRRUPS & SPACING	NOTES
PCL-1	8"	2-#5	-	-	
PCL-2	8"	2-#5	2-#5	#3@16" OC	
CIPL-1	16"	2-#6	2-#6	#3@8" OC	
CIPL-2	16"	2-#7	2-#7	#3@8" OC	2-#5 MID

- NOTES:
- PRECAST CONCRETE LINTELS CAN BE INSTALLED AT ALL OPENINGS PER SCHEDULE. CAST IN PLACE CONCRETE LINTELS SHALL BE PLACED WHERE SHOWN ON PLANS. SUBSTITUTED UPON APPROVAL BY ENGINEER.
 - GROUTED LINTEL (THROUGH) BLOCKS SHALL EXTEND A MINIMUM OF 8" BEYOND FACE OF OPENING EACH SIDE UNLESS NOTED OTHERWISE. THE FIRST TWO VERTICAL CELLS EACH OF THE OPENING SHALL BE GROUTED FULL HEIGHT AND CONTAIN (1)-#5 EACH CELL.
 - NOTE: THE FIRST CELL EACH SIDE OF THE OPENING SHALL BE GROUTED TO LINTEL LEVEL. SECOND CELL SHALL BE GROUTED TO ROOF LEVEL.
 - SEE SPECIFIC DETAIL FOR BRICK LEDGE SUPPORT ANGLE OF LOOSE LINTEL SCHEDULE.
 - CONSTRUCTION/CONTROL JOINT SHALL NOT BE LOCATED WITHIN WIDTH OF OPENING, NOR SHALL IT BE LOCATED WITHIN 24" OF THE OPENING ON EITHER SIDE.
 - CONCRETE LINTEL BEARING EACH SIDE OF LINTEL TO BE EQUAL TO DEPTH OF LINTEL, TYPICAL UNLESS NOTED OTHERWISE.



TYPICAL PRECAST/C.I.P. LINTEL DETAIL

4-033

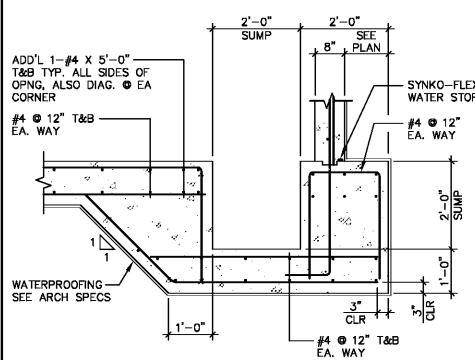


TYPICAL OPENING IN STEEL BEAM DETAIL

5-100

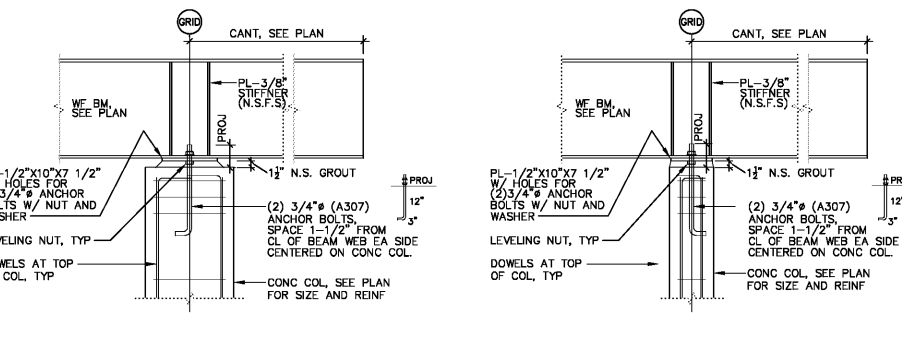
SCHEDULE			
BEAM SIZE	MAX. SPACING	PLATE SIZE	ANGLE LENGTH "L"
W12/W14	4 1/2" (MAX)	L2 1/2" X 2 1/2" X 3/8"	36"

- NOTES:
- OPENING MUST BE PLACED AT THE CENTER OF THE WEB OF BEAM.
 - ANGLES MUST HAVE EDGE OF VERTICAL LEG FLUSH WITH OPENING, ALL SIDES.
 - ANGLES MUST BE CENTERED OVER OPENING.
 - ANGLES MUST BE PROVIDED ON BOTH SIDES OF BEAM.



TYPICAL SUMP PIT REINFORCING DETAIL

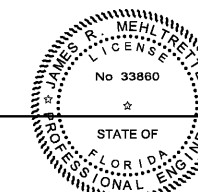
3-051



BEAM PARALLEL TO COLUMN DETAIL "A"

BEAM PERPENDICULAR TO COLUMN DETAIL "B"

WF CANTILEVER BEAM BEARING PLATE DETAIL



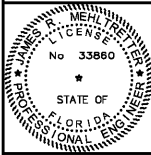
Digitally signed by JAMES R MEHLHOFFER
DN: c=US, o=JAMES R MEHLHOFFER, ou=JAMES R MEHLHOFFER, email=jrm@mcengs.com, cn=JAMES R MEHLHOFFER, o=JAMES R MEHLHOFFER, ou=JAMES R MEHLHOFFER, email=jrm@mcengs.com, cn=JAMES R MEHLHOFFER
Date: 2017.12.15 12:42:58-05'00'

MASTER CONSULTING ENGINEERS, INC.
STRUCTURAL CONSULTANTS
5523 WEST CYPRESS ST., #200
TAMPA, FLORIDA 33607
813.287.3600 FAX 813.287.3622
www.mcengs.com

Scale: AS SHOWN
Designed by: SL
Drawn by: JW
Checked by: JRM
Date: DECEMBER 2017
Project No. 48285014

SHEET
SB3.3

BUTLER PARK
AQUATIC CENTER
CITY OF NORTHPORT, FL



Kimley-Horn
2201 West Royal Lane, Suite 275, Irving, Texas 75063
PH: 972.261.4200
FLORIDA REGISTERED PROFESSIONAL ENGINEERING FIRM EFCO
FLORIDA REGISTERED LANDSCAPE ARCHITECTURE FIRM LC-0000219
© 2017 KIMLEY-HORN AND ASSOCIATES, INC.

IN CASE OF CONFLICT BETWEEN INFORMATION SHOWN ON THIS DRAWING, SECTION DRAWINGS OR ARCHITECTURAL DRAWINGS, IT IS THE CONTRACTOR'S RESPONSIBILITY TO INFORM THE ARCHITECT AND ENGINEER OF SUCH CONFLICTS IN ORDER TO RECEIVE A CLARIFICATION BEFORE PROCEEDING TO WORK. DIMENSIONS, SIZES AND REINFORCEMENT OF STRUCTURAL ELEMENTS SHOWN IN THIS DRAWING ARE MINIMUM TO BE USED UNLESS NOTED OTHERWISE (U.N.O.) IN PLANS.

Order Plans