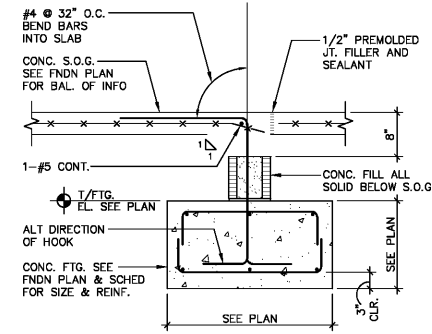


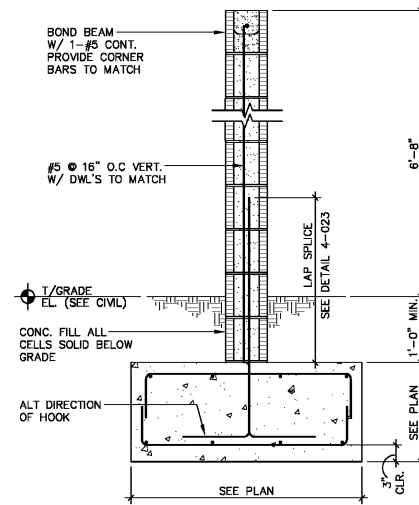
PARTIAL CMU WALL SECTION

4-015



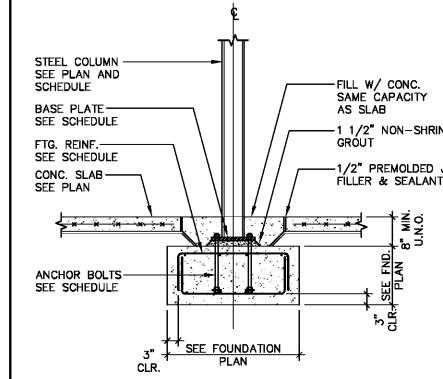
SLAB HAUNCH BEARING ON CMU WALL SECTION

4-017



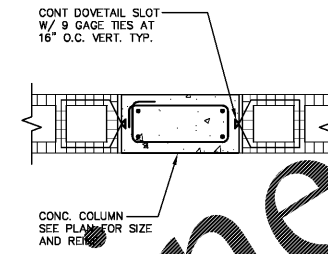
CMU SCREEN WALL

4-045



TYPICAL STEEL COLUMN FOOTING WITHOUT PIER

3-016



CONCRETE COLUMN TO MASONRY CONNECTION

4-022

THE MINIMUM CLEAR COVER FOR REINFORCEMENT BARS SHALL BE ONE BAR DIAMETER OR THE VALUES TABULATED BELOW, WHICHEVER IS THE GREATER.

SLABS (L.T.WT. CONC. OR STONE CONC.)	1"
GIRDERS AND BEAMS (TO STIRRUPS)	1 1/2"
JOISTS (STONE OR L.T.WT.) BOTTOM BARS	1 1/4"
TIED COLUMNS AND PIERS	
SURFACE EXPOSED TO EARTH AND WEATHER (TO TIES)	2"
OTHER SURFACES (TO TIES)	1 1/2"
FOUNDATION ELEMENTS	
FORMED SURFACES	2"
SURFACES PLACED AGAINST EARTH	3"
WALLS	
SURFACES EXPOSED TO EARTH	2"
SURFACES EXPOSED TO WEATHER	1 1/2"
OTHER SURFACES	1"

CONTRACTOR NOTE:
APPLIES TO ALL STRUCTURAL EXCEPT POOL, SEE DRAWING SP4.4 FOR CONCRETE COVER FOR REINFORCING BARS AT POOL SURFACES.

TYPICAL CONCRETE COVER FOR REINFORCING BARS

3-064

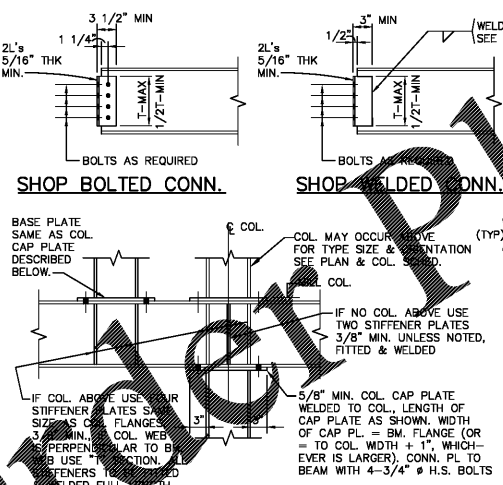
$f'_c = 3000$ PSI, NORMAL WEIGHT

BAR SIZE	LAP CLASS	TENSION LAP SPLICES				COMPRESSION LAP SPLICES
		LAP LENGTH PER SPACING AND COVER CASE				
		TOP BARS	OTHER BARS	TOP BARS	OTHER BARS	
#3	A	22	17	32	25	12
	B	28	22	42	32	
#4	A	29	22	43	33	15
	B	37	29	56	43	
#5	A	36	28	54	41	19
	B	47	36	70	54	
#6	A	43	33	64	50	23
	B	56	43	84	64	
#7	A	63	48	94	72	26
	B	81	63	122	94	
#8	A	72	55	107	82	30
	B	93	72	139	107	
#9	A	81	62	121	93	34
	B	105	81	157	121	
#10	A	91	70	136	105	38
	B	118	91	177	136	
#11	A	101	78	151	116	42
	B	131	101	198	151	

TENSION AND COMPRESSION LAP SPLICES WITH $f'_c = 3000$ PSI

3-065

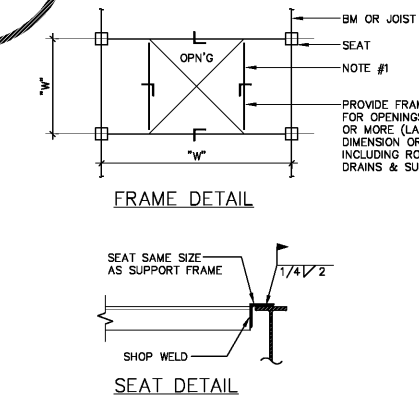
NOTES:
CASE 1
BEAMS AND COLUMNS:
CONCRETE COVER \geq BAR DIAMETER, C-C BAR SPACING \geq BAR DIAMETER AND WITH STIRRUPS OR TIES THROUGHOUT TENSION LAP SPICE LENGTH NOT LESS THAN THE CODE MINIMUM.
OTHER MEMBERS:
CONCRETE COVER \geq TO THE BAR DIAMETER AND C-C BAR SPACING \geq MAX BAR DIAMETER.
CASE 2
BEAMS AND COLUMNS:
CONCRETE COVER $<$ BAR DIAMETER AND C-C BAR SPACING $<$ 2X BAR DIAMETER.
OTHER MEMBERS:
CONCRETE COVER $<$ BAR DIAMETER AND C-C BAR SPACING $<$ 3X BAR DIAMETER.
* LAPS/SPICES TO BE USED UNLESS OTHERWISE SPECIFIED IN THESE CONTRACT DOCUMENTS.



BEAM OVER COLUMN AND COLUMN OVER BEAM

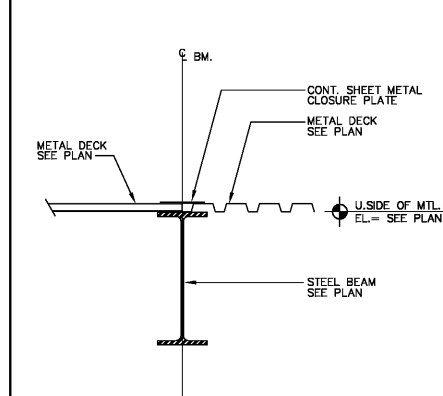
FRAMED CONNECTION AT TUBE/PIPE COLUMN

5-001



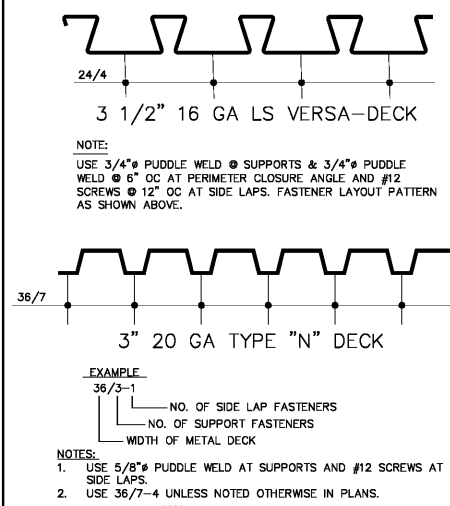
TYP. ROOF OPN'G DETAIL

5-302



METAL DECK SUPPORT DIRECTION CHANGE @ STEEL BEAM

5-303

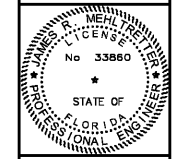


TYP. FLOOR FINER LAYOUT

5-305

NOTE:
IN CASE OF CONFLICT BETWEEN INFORMATION SHOWN ON THIS DRAWING, SECTION DRAWINGS OR ARCHITECTURAL DRAWINGS, IT IS THE CONTRACTOR'S RESPONSIBILITY TO INFORM THE ARCHITECT AND ENGINEER OF SUCH CONFLICT AND RECEIVE A CLARIFICATION BEFORE PROCEEDING TO WORK. DIMENSIONS, SIZES AND REINFORCEMENT OF STRUCTURAL ELEMENTS SHOWN IN THIS DRAWING ARE MINIMUM TO BE USED UNLESS NOTED OTHERWISE (U.N.O.) IN PLANS.

Kimley-Horn
2201 West Royal Lane, Suite 275, Irving, Texas 75063
PH: 972.261.0100 FAX: 972.261.0101
FLORIDA REGISTERED PROFESSIONAL ENGINEERS
FLORIDA REGISTERED LANDSCAPE ARCHITECTURE FIRM LC-000219
© 2017 KIMLEY-HORN AND ASSOCIATES, INC.



BUTLER PARK AQUATIC CENTER
CITY OF NORTHPORT, FL

TYPICAL DETAILS

Scale: AS SHOWN
Designed by: SL
Drawn by: JW
Checked by: JRM
Date: DECEMBER 2017
Project No. 48285014

MASTER CONSULTING ENGINEERS, INC.
STRUCTURAL CONSULTANTS
5523 WEST CYPRESS ST., #200
TAMPA, FLORIDA 33607
813.287.3800 FAX: 813.287.3822
www.mceengineers.com
THIS DRAWING AND ALL INFORMATION CONTAINED HEREIN IS THE SOLE PROPERTY OF MASTER CONSULTING ENGINEERS, INC. AND IS NOT TO BE REPRODUCED, COPIED, CLONED, OR IN ANY MANNER DISSEMINATED WITHOUT THE WRITTEN CONSENT OF MASTER CONSULTING ENGINEERS, INC.

SHEET
SB3.2