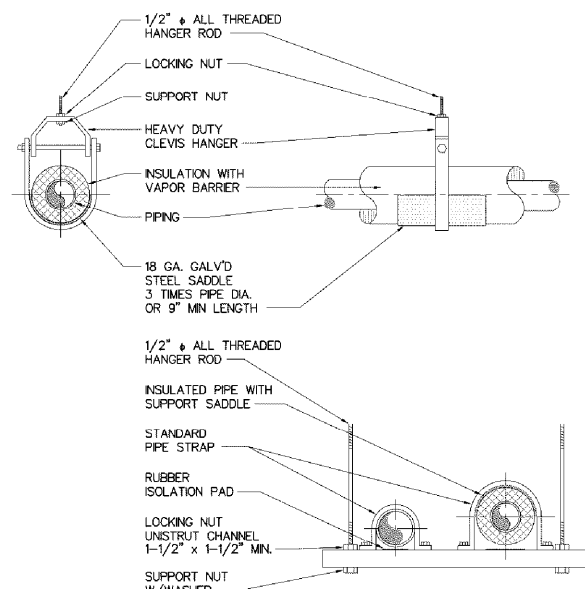
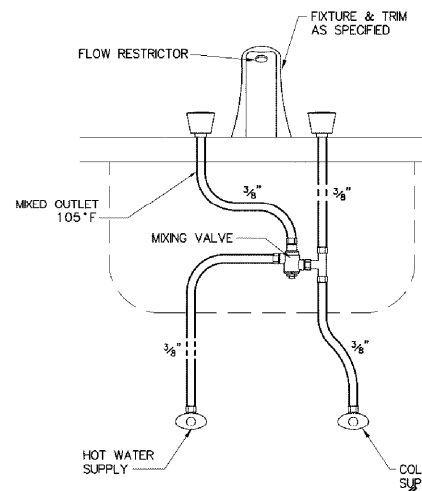


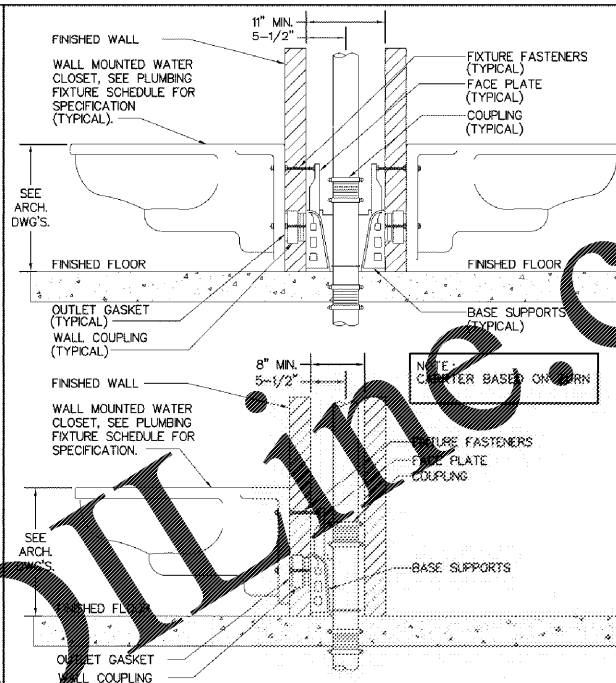
WATER HEATER DETAIL (WH-1)
SCALE: NONE



PIPE HANGER DETAIL
SCALE: NONE



THERMOSTATIC MIXING VALVE (POINT OF USE AT/BELOW FIXTURE) DETAIL
SCALE: NONE

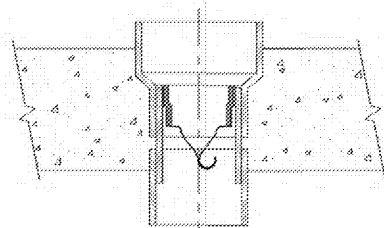


WATER CLOSET SUPPORT DETAIL
SCALE: NONE

TRAP GUARD HUB/ FLOOR DRAIN

POURED CONCRETE ON GROUND FLOOR
PLUMBING CONNECTION FOR PLASTIC OR C.I. PIPING

UNDERGROUND HUB DRAIN
PLASTIC OR CAST IRON CONNECTION



- 2" X 3" HUB DRAIN WITH TRAP GUARD - PART NO. TG23HD
- 2" X 4" HUB DRAIN WITH TRAP GUARD - PART NO. TG24HD
- 3" X 4" HUB DRAIN WITH TRAP GUARD - PART NO. TG34HD
- FOR RECESSED INSIDE STRAINER ADD "RS" AFTER PART NUMBER - TG23HD-RS
- USE PROSET E-Z FLEX COUPLING CONNECTION FOR CAST IRON PIPING
- FOR CAST IRON PIPE CONNECTION ADD CI AFTER PART NUMBERS - TG23HD-CI

IMPORTANT NOTES :

1. The Hub Drain comes with a Protective Cap and a 2" Trap Guard built in that drains up to 12 GPM
2. The installation is identical to any typical hub drain assembly connecting to plastic or C.I. pipe.
3. The drain should be installed approximately 1" above the concrete floor.
4. After the concrete pour, the protective cap should be removed.
5. An optional strainer is available that is recessed down 1-1/2" inside the hub.
After the above part numbers add the letters "RS" for a recessed strainer.
If the trap guard device should get damaged or repaired in any way, the device can be easily removed. A puller tool attaches to the two built in lugs inside of the Trap Guard for easy removal & replacement.

Note: Care should be taken not to touch the flooring material with the primer or solvent cement.

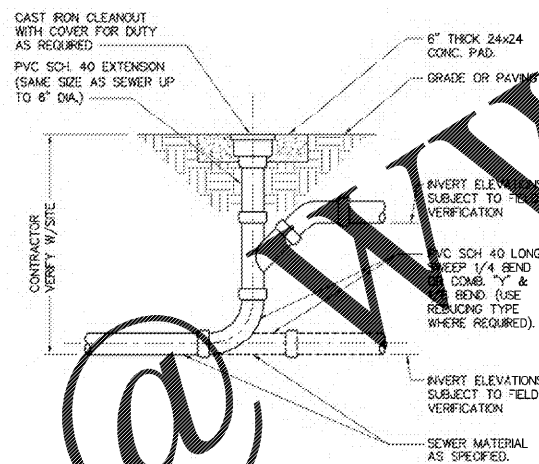
MAINTENANCE INSTRUCTIONS:

The Trap Guard device should be inspected periodically for build up of any type debris. The device should then be flushed out thoroughly with clear warm water. Not to be used on waxed or grease-laden floors.

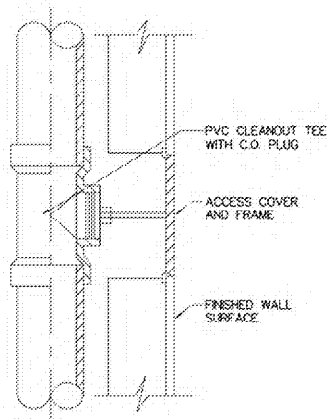
NO PIPE RATINGS ARE REQUIRED FOR UNDERGROUND PIPING OR OPENINGS



DATE: 6-01-11
DRG. NO: TG-63-HD

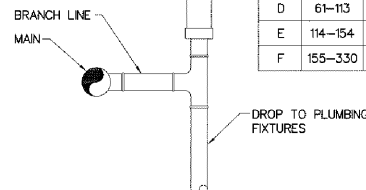


CLEANOUT TO GRADE DETAIL
SCALE: NONE



WALL CLEANOUT DETAIL
SCALE: NONE

WATER HAMMER ARRESTOR EQUAL TO PRECISION PLUMBING PRODUCTS MODEL WITH (SWEAT CONNECTION)

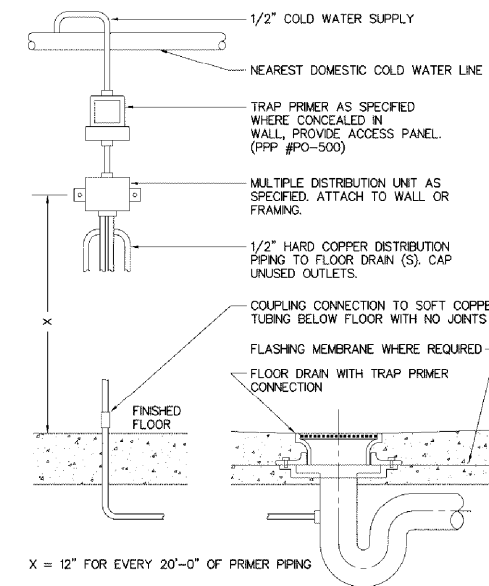


PPP SIZING CHART			
MARK	FIXTURE UNITS	SIZE (SWEAT)	PART NUMBER
A	1-11	1/2"	SWA-500
B	12-32	3/4"	SWA-750
C	33-60	1"	SWA-1000
D	61-113	1 1/4"	SWA-1250
E	114-154	1 1/2"	SWA-1500
F	155-330	2"	SWA-2000

NOTES:

1. PROVIDE A WATER HAMMER ARRESTOR ON EACH HOT WATER AND COLD WATER DROP.
2. ARRESTORS SHOULD ALWAYS BE INSTALLED SO THAT THERE IS AN UNOBSTRUCTED SHOCK PATH TO THE ARRESTOR.
3. ARRESTORS SHOULD ALWAYS BE PLACED AS NEAR TO THE SOURCE OF SHOCK AS POSSIBLE.

WATER HAMMER ARRESTOR DETAIL
SCALE: NONE



TRAP PRIMER DETAIL
SCALE: NONE

Scale: AS SHOWN
Designed by: LR
Drawn by: LR
Checked by: JS
Date: DECEMBER 2017
Project No. 48285014

This item has been electronically signed and sealed by Joseph R. Stolz, PE. On 12/15/2017 using a Digital Signature.
Printed copies of this document are not considered signed and sealed and the signature must be verified on any electronic copies.

