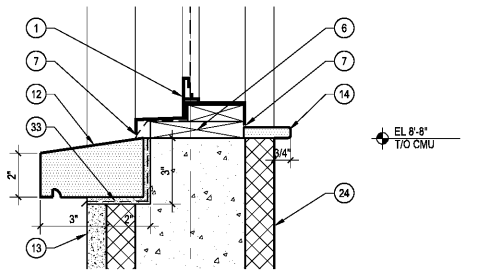
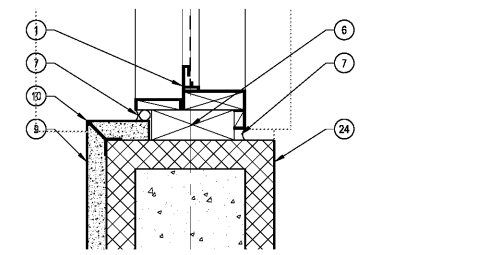


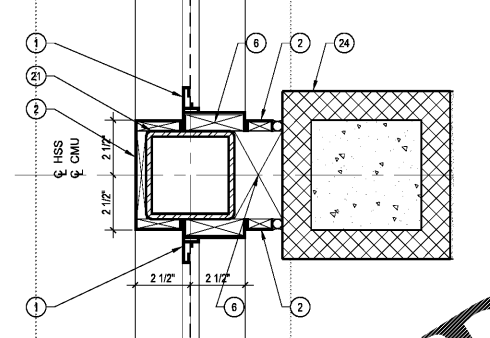
**1 SCREEN HEAD**  
SCALE: 3" = 1'-0"



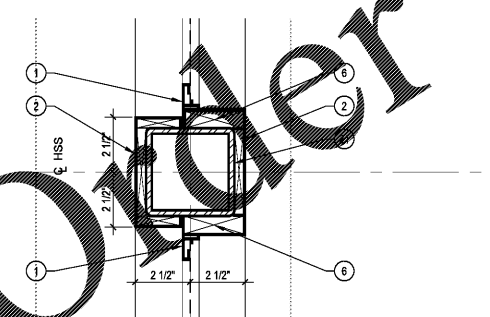
**2 SCREEN SILL**  
SCALE: 3" = 1'-0"



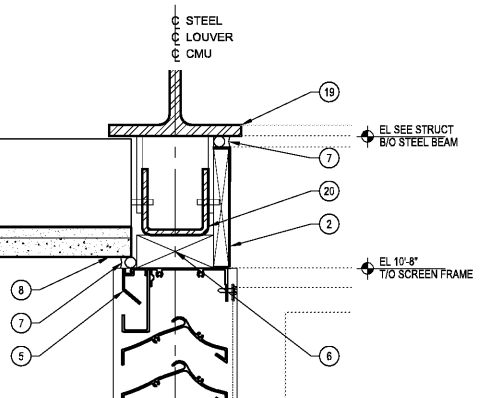
**3 SCREEN JAMB @ POST**  
SCALE: 3" = 1'-0"



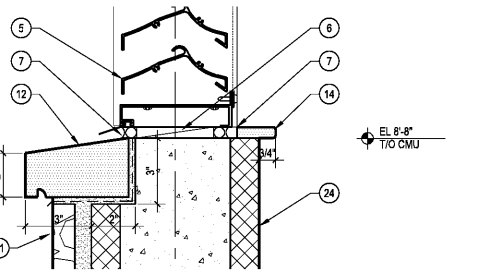
**4 SCREEN JAMB @ WALL**  
SCALE: 3" = 1'-0"



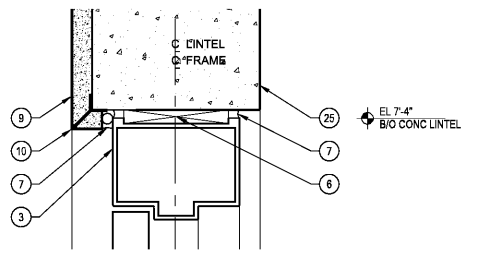
**5 SCREEN JAMB @ WALL POST**  
SCALE: 3" = 1'-0"



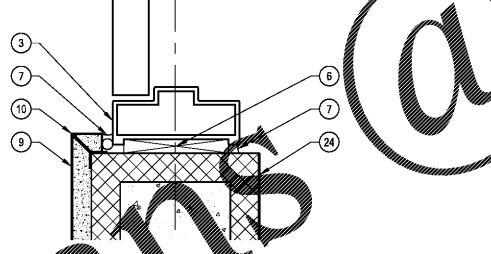
**6 LOUVER HEAD**  
SCALE: 3" = 1'-0"



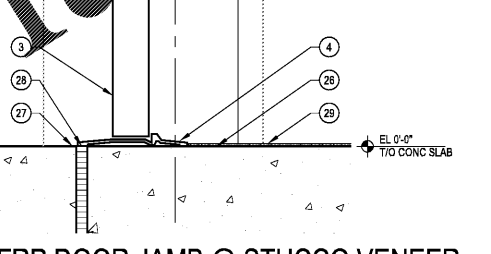
**7 LOUVER SILL**  
SCALE: 3" = 1'-0"



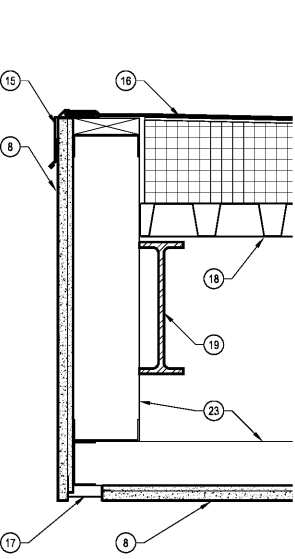
**8 FRP DOOR HEAD**  
SCALE: 3" = 1'-0"



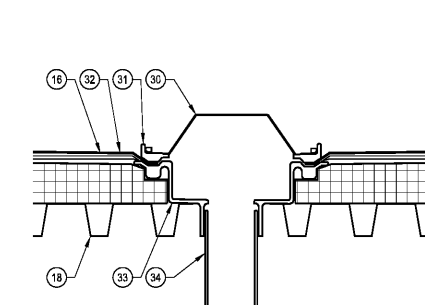
**9 FRP DOOR JAMB @ STUCCO VENEER**  
SCALE: 3" = 1'-0"



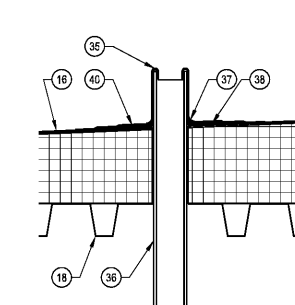
**10 FRP DOOR JAMB @ STUCCO VENEER**  
SCALE: 3" = 1'-0"



**11 ROOF EDGE**  
SCALE: 1-1/2" = 1'-0"



**12 ROOF DRAIN**  
SCALE: 1-1/2" = 1'-0"



**13 ROOF VENT**  
SCALE: 1-1/2" = 1'-0"

**SPECIFIC NOTES**

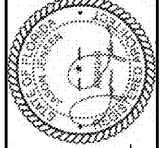
- 1 STAINLESS STEEL SCREEN ASSEMBLY. SEE SHEET AF8.1.
- 2 ALUM BRAKE METAL ON BACKER BOARD. MATCH SCREEN FRAME FINISH.
- 3 FRP DOOR & FRAME ASSEMBLY. SEE SHEET AF6.1.
- 4 ADA COMPLIANT STAINLESS STEEL THRESHOLD ON CONT MASTIC BED
- 5 ALUM LOUVER. SEE SHEET AF8.1.
- 6 CONT PT WOOD BLOCKING OR SHIM
- 7 CONT SEALANT & BACKER ROD
- 8 STUCCO ON GLASS MAT SHEATHING. PAINT FINISH.
- 9 STUCCO ON CONC MASONRY. PAINT FINISH.
- 10 STUCCO CORNER KEY. FRY REGLET PCM-75-75.
- 11 STONE VENEER ON CONC MASONRY
- 12 HONED STONE SILL. MATCH STONE VENEER TYPE & COLOR.
- 13 HONED STONE TRIM. MATCH STONE VENEER TYPE & COLOR.
- 14 CERAMIC TILE SILL
- 15 CONT PREFINISHED 22 GAGE METAL FASCIA & CLEAT
- 16 ROOFING ASSEMBLY. SEE SHEET AF1.2.
- 17 CONT SOFFIT VENT / DRIP. BOD. FRY DS-875-V-300.
- 18 STEEL ROOF DECK. SEE STRUCT.
- 19 STEEL BEAM. SEE STRUCT.
- 20 CONT BENT STEEL PLATE WITH ADJUSTABLE HANGERS. SEE STRUCT.
- 21 HSS POST. SEE STRUCT.
- 22 HSS BEAM. SEE STRUCT.
- 23 METAL FRAMING. SEE STRUCT.
- 24 CONC MASONRY ASSEMBLY. SEE STRUCT. PAINT EXPOSED SURFACES.
- 25 CONC LINTEL. SEE STRUCT. PAINT EXPOSED SURFACES.
- 26 CONC FLOOR SLAB. SEE STRUCT.
- 27 CONC DECK. SEE CIVIL.
- 28 1/2-INCH PREMOLDED JOINT FILLER. SEE STRUCT.
- 29 FINISH FLOORING MATERIAL WHERE OCCURRING. SEE SHEET AF1.3.
- 30 ROOF DRAIN STRAINER
- 31 CLAMPING RING
- 32 METAL ROOF DRAIN FLASHING. 30 X 30".
- 33 DRAIN BOWL
- 34 DRAIN PIPE
- 35 VENT FLASHING ROLLED INTO PIPE 1-INCH.
- 36 VENT STACK. SEE PLUMB.
- 37 ROOF CEMENT @ MEMBRANE PENETRATION
- 38 FLANGE SET IN ROOF CEMENT
- 39 48-INCH-DIA LIGHTING FIXTURE. SEE ELEC.
- 40 BASE FLASHING

**+NOTES**

- A. STAINLESS STEEL SCREEN ASSEMBLY. BASIS-OF-DESIGN PRODUCT: PATIO ENCLOSURE SCREEN IN ALUM FRAME MANUFACTURED BY CRIMSAFE NORTH AMERICA. SCREEN: 304 HIGH TENSILE STAINLESS STEEL GRADE MESH WITH 0.035 INCH STRANDS AT 3.5 STRANDS PER SQUARE INCH. ATTACH MESH TO ALUM FRAME BY A REMOVABLE ALUM CLAMP WITH TAMPER RESISTANT SECURITY HEAD SCREWS.
- B. FRP DOOR AND FRAME ASSEMBLY. BASIS-OF-DESIGN PRODUCT: FIBERGLASS FULL LOUVER DOOR MANUFACTURED BY THE CHEM-PRUF DOOR COMPANY.

**Kimley-Horn**  
2201 West Royal Lane, Suite 275, Irving, Texas 75063  
PH: 972.261.1111  
FLORIDA REGISTERED ENGINEERING FIRM #99  
FLORIDA REGISTERED LANDSCAPE ARCHITECTURE FIRM LC-C000219  
© 2017 KIMLEY-HORN AND ASSOCIATES, INC.

Jason Jerssen  
2017.12.15  
18:10:09  
-05'00"



**BUTLER PARK  
AQUATIC CENTER  
CITY OF NORTHPORT, FL**

**FILTRATION BUILDING  
DETAILS**

|              |               |
|--------------|---------------|
| Scale:       | AS SHOWN      |
| Designed by: | CD            |
| Drawn by:    | CD            |
| Checked by:  | JJ            |
| Date:        | DECEMBER 2017 |
| Project No.: | 48285014      |

SHEET  
**AF8.1**